

WASHINGTON
PUBLIC HEALTH STATISTICS
ANNUAL REPORT
1947

VOLUME II

NUMBER 4

THIS 1947 ANNUAL REPORT

is published by the

WASHINGTON STATE DEPARTMENT OF HEALTH

PUBLIC HEALTH STATISTICS SECTION

1412 Smith Tower

Seattle 4

Arthur B. Langlie
Governor

J. A. Kahl, M.D. M.P.H.
Acting State Director of Health

July 1, 1949

The Honorable Arthur B. Langlie
Governor
State of Washington
Olympia, Washington

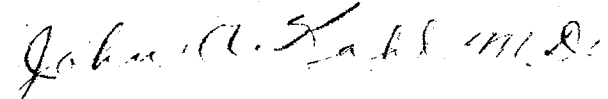
Honorable Sir:

I have the pleasure of submitting herewith the Annual Statistical Report of the State Department of Health for the calendar year 1947, in accordance with Section 6007, Remington's Revised Statutes, State of Washington.

This report presents statistically the happening of vital events as they occurred within this State during the year 1947, together with trend studies of specific events and their analysis.

The report entails tabulations, charts and graphs of natality, mortality, and morbidity, by place of occurrence of the event and by place of residence of the population affected. It supplements the "1947 Annual Report" of this Department by supplying detailed tabulations of vital statistics.

Respectfully submitted,


JOHN A. KAHL, M. D., M. P. H.
Acting State Director of Health

PUBLIC HEALTH STATISTICS SECTION

Personnel

Irvin R. Vaughn, Head

F. Herbert Colwell, Dr. P. H.
Statistical Consultant

Registration

Elsie Morck, Chief Clerk, office supervision and legitimations
Isabelle Schy, Senior Clerk, secretary
Alice Baily, Clerk, delayed registrations
Margaret Klute, Mail Clerk
Sally Wold, Certification Clerk
Reba Cooley, Clerk, plastic birth registration cards
Arlene Pearson, Clerk, current requests and switchboard operator
Elsie Baker, Clerk, Cashier and adoptions
Amy Gustafson, Photostat Operator
Edna Richards, Clerk, correction of records and adoptions
Nellie Hutchinson, Clerk, current birth registrations
Eva Hendryx, Clerk, current death registrations
Laura Hook, Index Clerk

Statistics

Ruth Baker, Principal Clerk, office supervision, nosology, programming
Sybil Alderman, Clerk Typist, routine and special reports, general office work
Grace Boyer, Senior Key Punch Operator, death records and special reports
Velma Wallace, Junior Key Punch Operator, birth records and communicable
disease reports
Dorothy Larson, Junior Tabulating Machine Operator, machine tabulations
Esther Kelley, Clerk, routine and special reports, general office work

INTRODUCTION

* * * * *

This annual report is the fourth in a series of annual reports of the Washington State Department of Health as prepared by the Public Health Statistics Section.

The narrative consists of statistical analyses of natality, general mortality, infant mortality, maternal mortality, and stillbirths. Detailed analyses of population estimates have not been included in the report because a special report on population has been released previously. The 1947 population estimates by counties and cities, however, have been included in one table as a base of reference.

Long term trends have been forecast for general mortality, infant mortality and maternal mortality by the method of least squares utilizing State data from 1940 through 1947. No trend has been forecast for population due to the probable inaccuracies in population estimates during the war years and those immediately following as well as the proximity of the Federal Census. No trend has been forecast for the general birth rate due to the above and to the highly fluctuating birth rate during the same interval of time.

The 1947 annual report differs from the 1946 annual report primarily in arrangement. The narrative section is continuous for all phases of statistics, and the tables are organized into successive sections on natality, mortality, infant mortality, maternal mortality, and stillbirths. These sections are followed by statistical tables on morbidity, tuberculosis, venereal disease, cancer, and hospital planning services. Reference for analyses of these latter services should be made to the Annual Report, Washington State Department of Health, 1947, of which this statistical report is a supplement.

	Page
Table 10 - Number of Livebirths in the Counties and Major Cities of the State of Washington, by Presence or Absence of Congenital Malformation, with Percentages, Allocated to Residence of Mother, 1947.	26-27
Table 11 - Number of Prenatal Serological Tests for Syphilis, by Physician's Diagnosis, White Race, by Age of Mother, Allocated to County and City of Mother's Residence, State of Washington, 1947.	28-30
Table 12 - Number of Prenatal Serological Tests for Syphilis, by Physician's Diagnosis, Non-White Race, by Age of Mother, Allocated to County and City of Mother's Residence, State of Washington, 1947.	31-33
SECTION II. - MORTALITY.	42-61
Table 13 - Deaths in the Counties and Major Cities of the State of Washington, with Rates per 1,000 Estimated Population, Allocated to Residence of Deceased and by Place of Occurrence, 1947.	42-43
Table 14 - Deaths in the Counties and Major Cities of the State of Washington, for Five Years, with Totals and Rates, Allocated to Residence of Decedent, 1943 - 1947.	44-45
Table 15 - Summary of the Number of Deaths from Leading Causes, with Rates per 100,000 Population, State of Washington, 1910 - 1947	47-48
Table 16 - Deaths from Leading Causes and All Causes in the State of Washington, by Sex and by Age Groups, Allocated to Residence of Deceased, 1947.	50
Table 17 - Deaths from Leading Causes in the Counties and Major Cities of the State of Washington, with Rates per 100,000 Estimated Population, Allocated to Residence of Deceased, 1947	51-53
Table 18 - Deaths in the Counties and Major Cities of the State of Washington, by Person in Attendance, Allocated to Residence of Decedent, 1947.	54-55
Table 19 - Deaths in the Counties and Major Cities of the State of Washington, by Place of Death, Allocated to Residence of Decedent, 1947	56-57
Table 20 - Number of Deaths from Accidental Causes in the Counties and Major Cities of the State of Washington, by Age Groups, Allocated to Residence of Decedent, 1947	58-59
Table 21 - Number of Deaths from Accidental Causes by Type and Place of Accident, with Percentages of the Total of Accidental Deaths, State of Washington Residents, 1947.	60-61

	Page
INFANT MORTALITY	62-72
Table 22 - Deaths of Infants Under One Year of Age in the Counties and Major Cities of the State of Washington, with Rates per 1,000 Livebirths, Allocated to Residence of Mother and by Place of Occurrence, 1947	62-63
Table 23 - Deaths of Infants Under One Year of Age in the Counties and Major Cities of the State of Washington for Five Years with Totals and Rates per 1,000 Livebirths, Allocated to Residence of Mother, 1943 - 1947.	64-65
Table 24 - Deaths of Infants Under One Year of Age in the Counties and Major Cities of the State of Washington, by Age of Child, Allocated to Residence of Mother, 1947.	67-68
Table 25 - Infant Mortality by Principal Causes, in the Counties and Major Cities of the State of Washington, with Percentages of the Grand Total, Allocated to Mother's Residence, 1947	69-70
Table 26 - Number of Deaths of Infants (Under One Year of Age) by Residence of Mother in the State of Washington, by Age of Infant, Five Years, with Percentages of Grand Total, 1943 - 1947.	71
Table 27 - Number of Deaths of Infants (Under One Year of Age) by Residence of Mother in the State of Washington, by Leading Causes, Five Years, with Percentages of Total, 1943 - 1947.	71
MATERNAL MORTALITY	73-84
Table 28 - Maternal Mortality in the Counties and Major Cities of the State of Washington, with Rates per 1,000 Livebirths, Allocated to Residence of Decedent and by Place of Occurrence, 1947.	73-74
Table 29 - Maternal Mortality in the Counties and Major Cities of the State of Washington for Five Years, with Total and Rates per 1,000 Livebirths, Allocated to Residence of Decedent, 1943 - 1947	75-76
Table 30 - Maternal Mortality in the Counties and Major Cities of the State of Washington, by Cause of Death, Allocated to Residence of Decedent, 1947	78-79
Table 31 - Maternal Deaths, by Cause of Death and by Age Groups, with Percentages of the Total, Allocated to Residence of Decedent, State of Washington, 1947.	80
Table 32 - Maternal Mortality in the Counties and Major Cities of the State of Washington, by Age Groups, with Percentages of Grand Total, Allocated to Residence of Decedent, 1947	81-82
Table 33 - Maternal Mortality, by Residence in the State of Washington, by Age Group of Mother, with Five-Year Totals and Percentages, 1943 - 1947	83

Table 34 - Maternal Mortality by Residence in the State of Washington, by Cause, for Five Years, with Percentages of Grand Total, 1943 - 1947 83

STILLBIRTHS. 85-94

Table 35 - Stillbirths in the Counties and Major Cities of the State of Washington, with Rates per 1,000 Livebirths, Allocated to Residence of Mother and by Place of Occurrence, 1947 85-86

Table 36 - Stillbirths in the Counties and Major Cities of the State of Washington, for Five Years, with Totals and Rates per 1,000 Livebirths, Allocated to Residence of Mother, 1943 - 1947. 87-88

Table 37 - Stillbirths in the Counties and Major Cities of the State of Washington, by Age and Residence of Mother, 1947 90-91

Table 38 - Stillbirths in the Counties and Major Cities of the State of Washington, by Cause, Allocated to Mother's Residence, 1947. 92-93

Table 39 - Stillbirths by Residence in the State of Washington, by Age Group of Mother, with Three-Year Totals and Percentages, 1945 - 1947 94

Table 40 - Number of Stillbirths to Washington Residents, by Cause, Three Years, with Totals and Percentages of Total, 1945 - 1947. 94

SECTION III - CANCER MORTALITY 95-101

Table 41 - Cancer Mortality Rates per 100,000 Estimated Population, by Primary Site, State of Washington Residents, 1940 - 1947. 96

Table 42 - Number of Cancer Deaths, by Primary Site, to Residents of the State of Washington, 1940 - 1947. 97-98

Table 43 - Deaths from Cancer and Other Malignant Tumors in the Counties and Major Cities of the State of Washington, by Sex and Age Groups, Allocated to Residence of Decedent, 1947. 99-101

SECTION IV - TUBERCULOSIS MORBIDITY AND MORTALITY. 102-120

Table 44 - Cases of Tuberculosis Reported in the State of Washington, by Age, Race and Sex, with Median Age, 1947 103

Table 45 - Tuberculosis Deaths in the State of Washington, by Age, Race and Sex, with Median Age, Allocated to Residence of Decedent, 1947. 104

Table 46 - Reported Cases of Pulmonary Tuberculosis, by Stage, and Non-Pulmonary Tuberculosis, by County and City of Residence, State of Washington, 1947 106-107

	Page
Table 47 - Cases of Pulmonary Tuberculosis by Extent of Lesion and Non-Pulmonary Tuberculosis, with Percent of Total, Reported for Three Years, State of Washington, 1945 - 1947	108
Table 48 - Reported Cases of Tuberculosis in the State of Washington, for Three Years, by Age Group, with Percent of Total, 1945 - 1947.	108
Table 49 - Reported Cases of Tuberculosis (All Forms) in the Counties and Major Cities of the State of Washington, by Age Groups, 1947.	109-111
Table 50 - Deaths from Tuberculosis (All Forms) in the Counties and Major Cities of the State of Washington, by Age Groups, Allocated to Residence of Decedent, 1947.	112-114
Table 51 - Age-Specific Death Rates per 100,000 Estimated Population from Tuberculosis (All Forms), United States and State of Washington, for the Years 1910, 1920, 1930 and 1940	117
Table 52 - Age Groups Having the Highest Specific Death Rates from Tuberculosis (All Forms), United States and State of Washington, for the Years 1910, 1920, 1930, and 1940.	117
 SECTION V - COMMUNICABLE DISEASE MORBIDITY AND MORTALITY	 121-144
Table 53 - Number of Reported Cases of Selected Communicable Diseases in the State of Washington, with Annual and Five-Year Average Incidence Rates per 100,000 Estimated Population, 1915-1947.	122
Table 54 - Number of Cases of Reportable Diseases in the State of Washington, with Rates per 100,000 Estimated Population, Ten-Year Averages, Average Rates, and Ten-Year Medians, 1938 - 1947.	123-124
Table 55 - Cases of Diphtheria, Poliomyelitis and Whooping Cough in the Counties and Major Cities of the State of Washington, by Single Years of Age Under Five Years, 1947	127-128
Table 56 - Deaths of Diphtheria, Poliomyelitis and Whooping Cough in the Counties and Major Cities of the State of Washington, by Single Years of Age Under Five Years, Allocated to Residence, 1947	129
Table 57 - Cases of Diphtheria Reported in the Counties and Major Cities of the State of Washington, by Age Group, with Percentages, 1947.	130
Table 58 - Deaths from Diphtheria in the Counties and Major Cities of the State of Washington, by Age Group, with Percentages, Allocated to Residence, 1947.	131
Table 59 - Cases of Poliomyelitis Reported in the Counties and Major Cities of the State of Washington, by Age Group, with Percentages, 1947.	132-133

	Page
Table 60 - Deaths from Poliomyelitis in the Counties and Major Cities of the State of Washington, by Age Group, with Percentages, Allocated to Residence, 1947.	134
Table 61 - Cases of Rheumatic Fever Reported in the Counties and Major Cities of the State of Washington, by Age Group, with Percentages, 1947.	135-136
Table 62 - Deaths from Rheumatic Fever and Rheumatic Heart Disease in the Counties and Major Cities of the State of Washington, by Age Group, with Percentages, Allocated to Residence, 1947.	137-138
Table 63 - Cases of Typhoid and Paratyphoid Reported in the Counties and Major Cities of the State of Washington, by Age Group, with Percentages, 1947.	139
Table 64 - Deaths from Typhoid and Paratyphoid in the Counties and Major Cities of the State of Washington, by Age Group, with Percentages, Allocated to Residence, 1947	140
Table 65 - Cases of Undulant Fever Reported in the Counties and Major Cities of the State of Washington, by Age Group, with Percentages, 1947.	141
Table 66 - Cases of Whooping Cough Reported in the Counties and Major Cities of the State of Washington, by Age Group, with Percentages, 1947.	142-143
Table 67 - Deaths from Whooping Cough in the Counties and Major Cities of the State of Washington, by Age Group, with Percentages, Allocated to Residence, 1947.	144
 SECTION VI - VENEREAL DISEASE MORBIDITY AND MORTALITY.	 145-156
Table 68 - Civilian Cases of Syphilis, Gonorrhoea, Chancroid and Lymphogranuloma, Reported in the Counties and Major Cities of the State of Washington, with Rates per 100,000 Estimated Population, Allocated to Residence, 1947.	146-147
Table 69 - Civilian Cases of Syphilis, by Stage, by White and Non-White, Reported in the Counties and Major Cities of the State of Washington, Allocated to Residence, 1947	148-149
Table 70 - Civilian Cases of Gonorrhoea, Chancroid and Lymphogranuloma, by White and Non-White, Reported in the Counties and Major Cities of the State of Washington, 1947	150-151
Table 71 - Cases of Congenital Syphilis Reported in the Counties and Major Cities of the State of Washington, by Age Group, Allocated to Residence, 1947.	152-153
Table 72 - Number of Civilian Cases of Syphilis, by Stage, and Gonorrhoea, Reported in the Counties and Major Cities of the State of Washington, by Reporting Agency, 1947.	154-155

	Page
Table 73 - Deaths from Syphilis and All Other Venereal Diseases in the Counties and Major Cities of the State of Washington, with Rates per 100,000 Estimated Population, 1947.	156
SECTION VII - MEDICAL PERSONNEL, HOSPITAL FACILITIES, AND RELATED STATISTICS	157-164
Table 74 - Land Area and Population Density by Counties, State of Washington, 1947.	158
Table 75 - Assessed Value of Real and Personal Property and Income per Capita, State of Washington, 1947	159
Table 76 - General Hospital Beds per 1,000 Population by Counties, State of Washington, 1947	160
Table 77 - Per Cent of Deaths Occurring in Community General Hospitals by County, State of Washington, 1947.	161
Table 78 - Physicians in Active Practice in Relation to Population by Counties, State of Washington, 1947	162
Table 79 - Distribution of Physicians by County and Age Groups, State of Washington, 1947	163
Table 80 - Number of Physicians by Age Groups and Size of Community, State of Washington, 1947	164
Table 81 - Distribution of Physicians in Active Practice by Size of Communities, State of Washington, 1947.	164

LIST OF FIGURES

SECTION I - NATALITY

Figure 1 - Trends in General Birth Rate and General Death Rate per 1,000 Estimated Population for a Ten-Year Period in the State of Washington and the United States, 1938 - 1947.	7
Figure 2 - General Five-Year Birth Rates per 1,000 Estimated Population by Rank from Highest to Lowest Rate in the Counties (Cities Included) of the State of Washington, 1943 - 1947	12
Figure 3 - Ratio of Illegitimate Births to All Livebirths in the State of Washington, 1945 - 1947.	25
Figure 4 - Ratio of Premature Births to All Livebirths in the State of Washington, 1945 - 1947	25

SECTION II - MORTALITY

Figure 5 - General Five-Year Death Rates per 1,000 Estimated Population, by Rank from Highest to Lowest Rate in the Counties (Cities Included) of the State of Washington, 1943 - 1947	46
--	----

Figure 6 - Death Rates per 100,000 Estimated Population from Leading Causes in the United States and in the State of Washington, by Residence, 1947.	49
--	----

INFANT MORTALITY

Figure 7 - Five-Year Infant Mortality Rates per 1,000 Livebirths, by Rank from Highest to Lowest Rate in the Counties (Cities Included) of the State of Washington, 1943 - 1947	66
Figure 8 - Infant Mortality by Age at Death in the State of Washington, 1945 - 1947, Expressed as Percentages of Total.	72
Figure 9 - Infant Mortality for Selected Causes in the State of Washington, 1945 - 1947, Expressed as Percentages of Total.	72
Figure 11 - Ratio of Infant Deaths to All Livebirths in the State of Washington, 1945 - 1947	84

MATERNAL MORTALITY

Figure 10 - Five-Year Maternal Mortality Rates per 1,000 Livebirths, by Rank from Highest to Lowest Rate, by Residence in the Counties (Cities Included) of the State of Washington, 1943 - 1947	77
Figure 12 - Maternal Mortality by Cause, Expressed as Percentages of Total, in the State of Washington, 1945 - 1947.	84

STILLBIRTHS

Figure 13 - Five-Year Stillbirth Rates per 1,000 Livebirths by Rank From Highest to Lowest Rate in the Counties (Cities Included) of the State of Washington, 1943 - 1947	89
---	----

TUBERCULOSIS MORBIDITY AND MORTALITY

Figure 14 - Trends in Tuberculosis Morbidity and Mortality Rates per 100,000 Estimated Population, in the State of Washington, 1938 - 1947	105
Figure 15 - Age-Specific Death Rates per 100,000 Estimated Population, Tuberculosis (All Forms), United States and the State of Washington, for the Years 1910 and 1940	118
Figure 16 - Age-Specific Death Rates per 100,000 Estimated Population, Tuberculosis (All Forms), State of Washington, for the Years 1910 and 1940, with Cohorts of the Years 1910 and 1920.	119
Figure 17 - Cohorts of the Years 1910 - 1920, Tuberculosis (All Forms) for the United States and Washington State, Based on Age-Specific Death Rates per 100,000 Estimated Population	120

SECTION V - COMMUNICABLE DISEASE MORBIDITY AND MORTALITY

Page

Figure 18 - Morbidity Rates per 100,000 Estimated Population for Scarlet
Fever, Whooping Cough and Measles in the State of Washington,
1938 - 1947. 125

Figure 19 - Morbidity Rates per 100,00 Estimated Population for Typhoid
Fever, Diphtheria, and Poliomyelitis in the State of Washing-
ton, 1938 - 1947 126

TABLE OF CONTENTS

* * * * *

INTRODUCTION.	Page 1
-----------------------	-----------

ANALYSES

NATALITY.	2-5
MORTALITY	34-41
TUBERCULOSIS MORTALITY - Special Study.	115-116

LIST OF TABLES

SECTION I - NATALITY.	6-33
Table 1 - Summary of the Number of Livebirths, Deaths, Deaths of Infants Under One Year of Age, Maternal Deaths, and Stillbirths, with Rates, State of Washington, 1910 - 1947.	6
Table 2 - Livebirths in the Counties and Major Cities of the State of Washington, with Rates per 1,000 Estimated Population, Allocated to Residence of Mother and by Place of Occurrence, 1947	8-9
Table 3 - Livebirths in the Counties and Major Cities of the State of Washington, For Five Years, with Totals and Average Rates per 1,000 Estimated Population, Allocated to Residence of Mother, 1943 - 1947	10-11
Table 4 - Livebirths in the Counties and Major Cities of the State of Washington, by Age of Mother, and by Sex of Child, Allocated to Residence of Mother, 1947.	13-14
Table 5 - Livebirths in the Counties and Major Cities of the State of Washington, by Person in Attendance, Allocated to Residence of Mother, 1947	15-16
Table 6 -- Births in the Counties and Major Cities of the State of Washington, by Place of Birth, with Percentages of Total, Allocated to Residence of Mother, 1947.	17-18
Table 7 - Number of Mothers, by Race, Having Multiple Births (Twins, Triplets, etc.) in the Counties and Major Cities of the State of Washington, by Residence of Mother, 1947	19-20
Table 8 - Illegitimate Births, by Age of Mother, in the Counties and Major Cities of the State of Washington, with Rates per 1,000 Livebirths, Allocated to Residence of Mother, 1947.	21-22
Table 9 - Premature Births, by Age of Mother, in the Counties and Major Cities of the State of Washington, with Rates per 1,000 Livebirths, Allocated to Residence of Mother, 1947.	23-24

SECTION I

* * * *

NATALITY

1947 natality

Final tabulations of the number of livebirths in the State of Washington during 1947 revealed 59,411 of these events recorded, by place of occurrence, in the State. The general birth rate by occurrence was 28.5 per 1,000 estimated population. After allocations were completed for residence in the State of Washington from all parts of the United States and Canada, the number of livebirths became 58,230 and the general birth rate became 27.9 per 1,000 estimated population.

Birth rate trend

Graphic comparison of the trends¹ in the general birth rate of the entire United States and of the State of Washington, 1938 - 1947, showed that during the five-year period, 1938 - 1942, Washington's rates were notably below the corresponding rates for the United States. Conversely, comparison of the respective rates during 1943 - 1947 showed Washington's rates were markedly higher than the corresponding rates for the United States.

Five-year rates

Cumulative 1943 - 1947 totals of livebirths² have been prepared for each of the 39 counties of the State. Among the urban places (10,000 population and over) the City of Port Angeles experienced the highest general birth rate of 29.0, while Vancouver and Hoquiam experienced the lowest general birth rate of 19.6 per 1,000 estimated population. Among the rural places (whole counties and portions of counties exclusive of cities 10,000 population and over) Kitsap County (exclusive of Bremerton) showed the highest general birth rate of 35.7 per 1,000 estimated population, while San Juan County showed the lowest general birth rate of 12.5 per 1,000 estimated population.

1. Figure 1, p. 7

2. Table 3, p. 10-11

A bar graph³ illustrates the rank of counties (including cities) according to their general birth rates. Kitsap County had the highest rate of 32.4, San Juan the lowest rate of 12.5, and Whatcom County the median rate of all counties of 22.3 per 1,000 estimated population. Relative rank of the other counties may be observed from the chart.

Age of mother

The 1947 experience by age group of mothers of livebirths was very similar to that of 1946. Sixty-four per cent of the resident mothers were between the ages of 20 and 30 in both years. Between the ages of 20 and 25, the percentage of mothers in 1947 was 34.5 and in 1946 the percentage in this age group was 34.6. It was observed in 1947 that among the mothers of the 58,230 livebirths, only 28 were under 15 years of age. In 1946, among the 51,941 livebirths, mothers of only 13 were in this age group.

Attendant

The percentage of deliveries by medical physicians in the State during 1947 increased to 97.6 per cent from 97.0 per cent in 1946. Conversely, the ratio of deliveries by osteopathic physicians decreased during the same interval of time from 2.7 per cent to 2.1 per cent. During 1947, these two groups attended 99.7 per cent of the livebirths to resident mothers of the State.

Place of birth

Ninety-seven per cent of the new infants during 1947 to resident mothers of the State were born in institutions classified as general hospitals. Maternity homes cared for 1.8 per cent of the total, and 1.2 per cent were born at home. Similar statistics for the preceding year, 1946, have not been prepared.

3. Figure 2, p. 12

Multiple births

Two and one-tenth per cent of the livebirths in the State during 1947 were the result of multiple pregnancies. During 1946, the corresponding ratio was 2.3 per cent. Of the 623 mothers during 1947 who experienced multiple births, 620 delivered twins and three delivered triplets. No quadruplets were born in the State during 1947.

Premature births

Six and nine-tenths per cent of the 58,230 livebirths in the State during 1947 were premature births.⁴ This compared favorably with the 7.1 per cent premature births during 1946.

During 1947, the largest number of premature births was experienced by the mothers in the 20 - 24 year age group.

Illegitimate parentage

Distribution of livebirths in 1947 by marital status of their parents showed 1,217 or 2.1 per cent of said births issued from illegitimate⁵ parentage. This compared favorably with the State's experience in 1946 when 1,290 livebirths, or 2.5 per cent, were so classified. Nearly two-thirds of the mothers under 15 years of age were observed in illegitimate parentage category during 1947. However, this age group was small since only 28 of the 58,230 livebirths had mothers in this age group. Similar experience was observed during 1946. The frequency of illegitimate parentage during 1947 decreased sharply to 7.2 per cent in the age group 15 through 19 years, and to less than one per cent in the age groups over 30 years of age. During the year 1946, the decrease in the older age groups was very similar.

4. Based on eight months or less gestation.

5. The definition of legitimacy is that an infant born to a married woman is presumed to be legitimate.

Congenital malformations

Malformations observed and noted on the Standard Certificate of Livebirth totalled 579, or one per cent of the livebirths in the State. The remainder of the certificates showed no apparent malformation or gave no indication of the presence or absence of malformation. During 1946, malformations noted totalled 488, or 0.9 per cent of all livebirths.

Prenatal serology

Although results of prenatal blood tests were recorded on the Standard Certificates of Livebirth during 1947, the physicians' diagnoses only were coded and punched into punch cards. Analyses of statistics tabulated from these punched cards were made by race and age groups of mothers and by county and city of residence. The white race demonstrated a syphilis prevalence rate among expectant mothers of 0.2 per cent, while the prevalence rate among non-white expectant mothers was 3.6 per cent. The observed difference in the prevalence rates here noted was statistically significant⁶. In other words, it was highly improbable that chance alone produced a higher prevalence rate of syphilis among non-white expectant mothers than among white expectant mothers in the State during 1947.

A thorough analysis of prenatal serology by race, age group of mother, result of test, and physician's diagnosis, by county and city, is programmed for the near future, and will be released as a special report.

6. Critical ratio = 8

TABLE 1

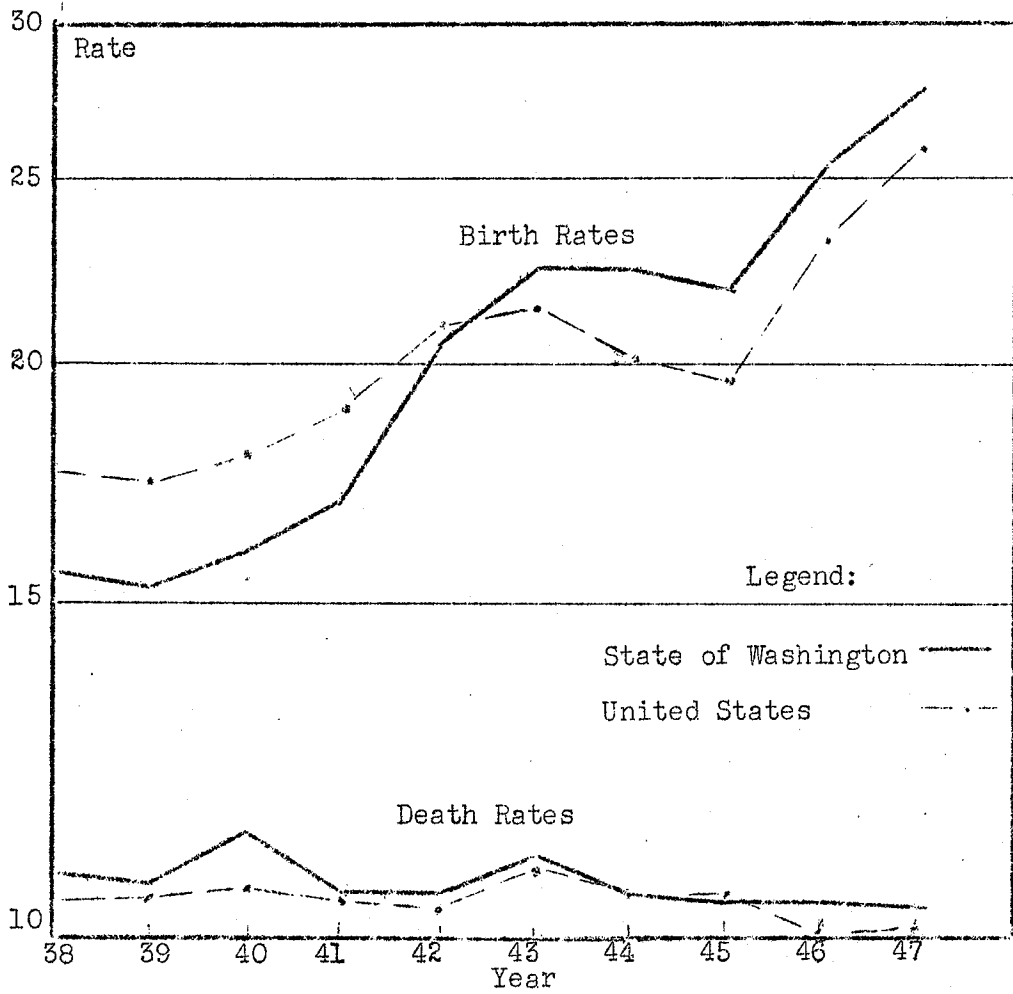
SUMMARY OF THE NUMBER OF LIVEBIRTHS, DEATHS, DEATHS OF INFANTS UNDER ONE YEAR OF AGE, MATERNAL DEATHS, AND STILLBIRTHS, WITH RATES, STATE OF WASHINGTON, 1910 - 1947

Year	Population	Livebirths		Deaths		Infant Deaths		Maternal Deaths		Stillbirths	
		No.	Rate **	No.	Rate **	No.	Rate *	No.	Rate *	No.	Rate *
1910	1,147,000	19,916	17.4	11,502	10.0	1,862	93.5	194	9.7	705	35.4
1911	1,168,800	20,728	17.7	10,845	9.3	1,531	73.9	177	8.5	699	33.7
1912	1,190,600	20,683	17.4	10,187	8.6	1,365	66.0	179	8.7	724	35.0
1913	1,212,400	21,200	17.5	11,397	9.4	1,566	73.9	178	8.4	688	32.4
1914	1,234,000	23,008	18.6	11,448	9.3	1,540	66.9	152	6.6	783	34.0
1915	1,256,000	24,046	19.1	11,895	9.5	1,461	60.8	156	6.5	779	32.4
1916	1,277,800	23,831	18.6	11,805	9.2	1,531	64.2	175	7.3	705	29.6
1917	1,299,600	23,464	18.0	12,137	9.3	1,625	69.3	173	7.2	691	29.4
1918	1,321,400	25,682	19.4	16,837	12.7	1,769	68.9	253	9.9	730	28.4
1919	1,343,200	25,112	18.7	14,370	10.7	1,584	63.1	216	8.6	730	29.1
1920	1,365,000	27,072	19.8	15,164	11.1	1,797	66.4	249	9.2	888	32.8
1921	1,385,400	27,267	19.7	13,254	9.6	1,512	55.4	212	7.8	852	31.2
1922	1,405,800	25,378	18.0	14,249	10.1	1,566	61.7	200	7.9	731	28.8
1923	1,426,200	25,259	17.7	13,856	9.7	1,428	56.5	168	6.7	680	26.9
1924	1,446,600	25,378	17.5	14,580	10.1	1,426	56.2	180	7.1	711	28.0
1925	1,467,000	24,741	15.9	15,280	10.4	1,395	56.4	149	8.0	667	27.0
1926	1,487,400	23,989	16.1	15,670	10.3	1,352	56.4	180	7.5	719	30.0
1927	1,507,800	23,315	15.5	15,950	10.6	1,162	49.8	155	6.6	650	27.9
1928	1,528,200	23,161	15.2	16,723	10.9	1,115	48.1	167	7.2	641	27.7
1929	1,548,600	22,658	14.6	16,413	10.6	1,110	49.0	140	6.2	572	25.2
1930	1,569,000	23,019	14.7	16,678	10.6	1,122	48.7	143	6.2	601	26.1
1931	1,584,715	22,028	13.9	16,524	10.4	1,064	48.3	140	6.4	591	26.8
1932	1,600,425	21,379	13.4	16,581	10.4	967	45.2	129	6.0	530	24.8
1933	1,619,000	20,882	13.0	16,705	10.4	811	38.8	133	6.4	446	21.4
1934	1,642,475	22,484	13.7	17,456	10.6	974	43.2	105	4.7	521	23.2
1935	1,660,810	22,378	13.5	18,046	10.9	998	44.6	120	5.4	469	21.0
1936	1,676,445	23,354	13.9	19,057	11.4	1,034	45.5	115	4.9	468	20.0
1937	1,693,880	24,882	14.7	18,771	11.1	978	39.1	118	4.7	495	19.9
1938	1,709,640	26,702	15.6	18,514	10.8	1,000	37.4	94	3.5	440	16.5
1939	1,725,595	26,471	15.3	18,528	10.7	977	36.9	97	3.7	450	17.0
1940	1,742,045	27,952	16.0	19,837	11.4	969	34.7	89	3.2	459	16.4
1941	1,817,710	30,916	17.0	19,359	10.6	1,065	34.5	66	2.1	445	14.4
1942	1,894,499	38,744	20.4	20,190	10.6	1,278	33.0	78	2.0	580	15.0
1943	1,982,300	44,258	22.3	22,017	11.1	1,533	34.6	72	1.6	575	13.0
1944	1,986,192	44,246	22.2	21,144	10.6	1,493	33.7	72	1.6	607	13.7
1945	2,032,968	44,296	21.8	21,292	10.5	1,523	34.4	79	1.8	672	15.2
1946	2,050,100	51,941	25.3	21,620	10.5	1,723	33.2	65	1.2	869	16.7
1947	2,085,640	58,230	27.9	21,763	10.4	1,630	28.0	59	1.0	907	15.6

* Per 1,000 livebirths
 ** Per 1,000 population

Source: 1910 - 1933 place of occurrence figures from published reports of the National Office of Vital Statistics.

1934 - 1947 place of residence figures from Section of Public Health Statistics, Washington State Department of Health.



Rate per 1,000 estimated population	Area	Year									
		1938	1939	1940	1941	1942	1943	1944	1945	1946	1947
Births	Washington	15.6	15.3	16.0	17.0	20.4	22.3	22.3	21.8	25.3	27.9
	United States	17.6	17.3	17.9	18.9	20.9	21.5	20.2	19.6	23.3	26.0
Deaths	Washington	10.8	10.7	11.4	10.6	10.6	11.1	10.6	10.5	10.5	10.4
	United States	10.6	10.6	10.7	10.5	10.4	10.9	10.6	10.6	10.0	10.1

FIGURE 1 - TRENDS IN GENERAL BIRTH RATE AND GENERAL DEATH RATE, PER 1,000 ESTIMATED POPULATION FOR A TEN-YEAR PERIOD IN THE STATE OF WASHINGTON AND THE UNITED STATES, 1938 - 1947

TABLE 2

LIVEBIRTHS IN THE COUNTIES AND MAJOR CITIES OF THE STATE OF WASHINGTON,
WITH RATES PER 1,000 ESTIMATED POPULATION, ALLOCATED TO RESIDENCE OF
MOTHER AND BY PLACE OF OCCURRENCE, 1947

County or City	1947 Population	Residence		Occurrence	
		Number	Rate	Number	Rate
Adams	6,000	117	19.5	119	19.8
Asotin	10,200	206	20.2	88	8.6
Benton	34,900	898	25.7	566	16.2
Rural	19,900	447	22.5	39	2.0
Richland	15,000	451	29.9	527	34.9
Chelan	38,000	1,197	31.5	1,371	36.1
Rural	25,000	762	30.5	177	7.1
Wenatchee	13,000	435	33.5	1,194	91.8
Clallam	22,600	676	29.9	647	28.6
Rural	11,800	320	27.1	48	4.1
Port Angeles	10,800	356	33.0	599	55.5
Clark	70,000	2,340	33.4	2,292	32.7
Rural	44,000	1,625	36.9	126	2.9
Vancouver	26,000	715	27.5	2,166	83.3
Columbia	5,500	128	23.3	127	23.1
Cowlitz	50,750	1,407	27.7	1,606	31.6
Rural	33,250	775	23.3	46	1.4
Longview	17,500	632	36.1	1,560	89.1
Douglas	8,500	209	24.6	4	0.8
Ferry	4,300	94	21.9	41	9.5
Franklin	10,000	334	33.4	595	59.5
Garfield	2,900	73	25.2	12	4.1
Grant	12,100	482	39.8	255	21.1
Grays Harbor	53,300	1,426	26.8	1,412	26.5
Rural	21,000	561	26.7	148	7.0
Aberdeen	20,500	565	27.6	1,263	61.6
Hoquiam	11,800	300	25.4	1	0.1
Island	7,500	202	26.9	277	36.9
Jefferson	9,000	246	27.3	219	24.3
King	658,000	18,247	27.7	18,911	28.7
Rural	172,700	6,395	37.0	1,423	8.2
Renton	15,300	689	45.1	1,208	79.0
Seattle	470,000	11,163	23.8	16,280	34.6
Kitsap	80,400	2,466	3.1	2,335	2.9
Rural	45,400	1,194	26.3	50	1.1
Bremerton	35,000	1,272	36.3	2,285	65.3
Kittitas	23,250	565	24.3	586	25.2
Klickitat	11,000	279	25.4	198	18.0
Lewis	42,200	1,048	24.8	1,072	25.4
Lincoln	11,000	256	23.3	90	8.2
Mason	12,700	386	30.4	348	27.4
Okanogan	27,270	792	29.0	917	33.6
Pacific	15,500	364	23.5	292	18.8
Pend Oreille	7,500	177	23.6	215	28.7
Pierce	204,700	5,887	28.8	6,481	31.7
Rural	58,700	1,897	32.3	624	10.6
Puyallup	10,000	239	23.9	442	44.2
Tacoma	136,000	3,751	27.6	5,415	39.8

TABLE 2 (cont.)

LIVEBIRTHS IN THE COUNTIES AND MAJOR CITIES OF THE STATE OF WASHINGTON,
WITH RATES PER 1,000 ESTIMATED POPULATION, ALLOCATED TO RESIDENCE OF
MOTHER AND BY PLACE OF OCCURRENCE, 1947

County or City	1947 Population	Residence		Occurrence	
		Number	Rate	Number	Rate
San Juan	5,300	65	12.3	18	3.4
Skagit	44,200	1,066	24.1	1,071	24.2
Skamania	4,500	92	20.4	1	0.2
Snohomish	95,100	2,593	27.3	2,363	24.8
Rural	60,100	1,533	25.5	508	8.4
Everett	35,000	1,060	30.3	1,855	53.0
Spokane	198,700	5,180	26.1	5,955	30.0
Rural	51,700	1,165	22.5	154	3.0
Spokane	147,000	4,015	27.3	5,811	39.5
Stevens	18,600	417	22.4	401	21.6
Thurston	39,000	1,098	28.2	993	25.5
Rural	23,000	688	29.9	29	1.3
Olympia	16,000	410	25.6	964	60.2
Wahkiakum	4,000	91	22.8	0	0.0
Walla Walla	31,100	889	28.6	1,232	39.6
Rural	8,600	290	33.7	3	0.3
Walla Walla	22,500	599	26.6	1,229	54.6
Whatcom	62,000	1,683	27.1	1,741	28.1
Rural	29,500	773	26.2	51	1.7
Bellingham	32,500	710	28.0	1,690	52.0
Whitman	29,000	774	26.7	624	21.9
Yakima	115,070	3,780	32.8	3,916	34.0
Rural	80,070	2,483	31.0	1,241	15.5
Yakima	35,000	1,297	37.0	2,675	76.4
URBAN TOTAL	1,068,900	28,859	27.0	47,164	44.1
RURAL TOTAL	1,016,740	29,371	28.9	53,277	22.0
GRAND TOTAL	2,085,640	58,230	27.9	59,411	28.5

TABLE 3

LIVEBIRTHS IN THE COUNTIES AND MAJOR CITIES OF THE STATE OF WASHINGTON, FOR FIVE YEARS, WITH TOTALS AND AVERAGE RATES PER 1,000 ESTIMATED POPULATION, ALLOCATED TO RESIDENCE OF MOTHER, 1943 - 1947

County or City	1943	1944	1945	1946	1947	Total	5 year average rate
Adams	103	143	107	117	117	587	20.1
Asotin	107	146	137	129	206	725	16.9
Benton	293	672	323	752	898	2938	22.0
Rural	293	672	323	752	898	2938	22.0
Richland*							
Chelan	632	670	665	940	1197	4104	22.4
Rural	410	418	470	573	762	2633	22.1
Wenatchee	222	252	195	367	435	1471	22.9
Clallam	533	512	495	561	676	2777	25.0
Rural	251	233	219	259	320	1282	21.5
Port Angeles	282	279	276	302	356	1495	29.0
Clark	2109	2298	2180	2143	2340	11070	26.0
Rural	1277	1693	1640	1503	1625	7738	30.3
Vancouver	832	605	540	640	715	3332	19.6
Columbia	75	80	88	106	128	477	18.2
Cowlitz	939	882	967	1132	1407	5327	22.7
Rural	578	545	588	701	775	3187	20.2
Longview	361	337	379	431	632	2140	27.7
Douglas	145	149	119	181	209	803	24.3
Ferry	84	66	58	80	94	382	18.4
Franklin	198	264	260	279	334	1335	25.2
Garfield	58	58	51	48	73	288	18.7
Grant	260	229	182	336	482	1489	31.5
Grays Harbor	958	926	917	1127	1426	5354	20.8
Rural	415	393	367	447	561	2183	20.7
Aberdeen	348	353	330	458	565	2054	21.6
Hoquiam	195	180	220	222	300	1117	19.6
Island	168	151	178	173	202	872	26.5
Jefferson	270	244	222	225	246	1207	26.5
King	13875	13902	14370	16631	18247	77025	24.5
Rural	4882	4735	5009	6094	7084	27804	33.3
Renton*							
Seattle	8993	9167	9361	10537	11163	49221	21.3
Kitsap	2757	2765	2998	2814	2466	13800	29.8
Rural	1554	1506	1636	1378	1194	7268	35.7
Bremerton	1203	1259	1362	1436	1272	6532	25.3
Kittitas	359	383	378	442	565	2127	20.2
Klickitat	205	148	181	225	279	1038	18.7
Lewis	787	814	753	976	1048	4378	21.2
Lincoln	197	188	181	227	256	1049	19.1
Mason	331	275	256	303	386	1551	23.0
Okanogan	538	468	494	662	792	2954	23.4
Pacific	266	272	268	304	364	1474	17.4
Pend Oreille	137	108	97	143	177	662	19.0
Pierce	5507	4755	4736	5508	5887	26393	25.7
Rural	2239	1735	1702	1992	2136	9804	27.0
Puyallup*							
Tacoma	3268	3020	3034	3516	3751	16589	25.0

TABLE 3 (Cont.)

LIVEBIRTHS IN THE COUNTIES AND MAJOR CITIES OF THE STATE OF WASHINGTON, FOR FIVE YEARS, WITH TOTALS AND AVERAGE RATES PER 1,000 ESTIMATED POPULATION, ALLOCATED TO RESIDENCE OF MOTHER, 1943 - 1947

County or City	1943	1944	1945	1946	1947	Total	5-year average rate
San Juan	36	26	38	53	65	218	12.5
Skagit	710	816	733	867	1066	4192	20.6
Skamania	60	55	45	73	92	325	15.3
Snohomish	1902	1873	1973	2249	2593	10590	22.7
Rural	1148	1131	1152	1334	1533	6298	21.4
Everett	754	742	821	915	1060	4292	24.8
Spokane	3634	3748	3859	4668	5180	21089	22.8
Rural	789	842	849	1028	1165	4673	21.1
Spokane	2845	2906	3010	3640	4015	16416	23.3
Stevens	386	343	279	361	417	1786	20.3
Thurston	1076	885	797	948	1098	4804	24.2
Rural	543	515	447	531	688	2726	22.6
Olympia	533	370	348	417	410	2078	26.6
Wahkiakum	68	63	60	73	91	355	18.3
Walla Walla	638	681	777	834	889	3819	23.7
Rural	235	230	225	285	290	1265	27.4
Walla Walla	403	451	552	549	599	2554	22.2
Whatcom	1247	1224	1171	1421	1683	6746	22.3
Rural	579	569	516	586	773	3023	20.4
Bellingham	668	655	655	835	910	3723	24.1
Whitman	414	505	438	599	774	2730	18.9
Yakima	2196	2459	2465	3231	3780	14131	26.7
Rural	1493	1655	1675	2157	2483	9463	25.8
Yakima	703	804	790	1074	1297	4668	28.9
URBAN TOTAL	21610	21380	21873	25339	27480	117682	22.9
RURAL TOTAL	22648	22866	22423	26602	30750	125289	25.0
GRAND TOTAL	44258	44246	44296	51941	58230	242971	24.0

* No tabulation made on these cities, included in rural part of county.

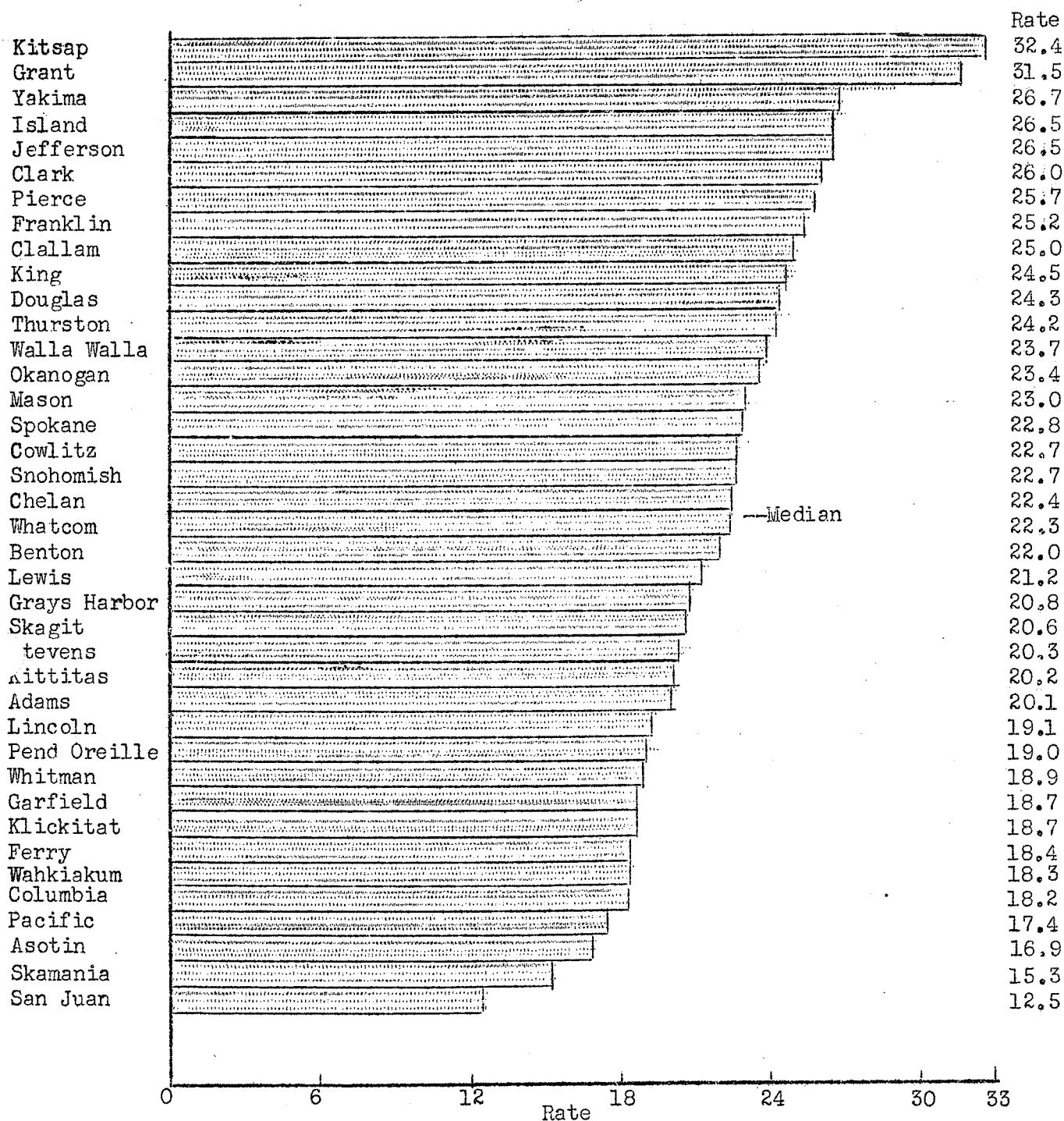


FIGURE 2 - GENERAL FIVE-YEAR BIRTH RATES PER 1,000 ESTIMATED POPULATION BY RANK FROM HIGHEST TO LOWEST RATE IN THE COUNTIES (CITIES INCLUDED) OF THE STATE OF WASHINGTON, 1943 - 1947

TABLE 4 - LIVEBIRTHS IN THE COUNTIES AND MAJOR CITIES OF THE STATE OF WASHINGTON, BY AGE OF MOTHER, BY SEX OF CHILD, ALLOCATED TO RESIDENCE OF THE MOTHER, 1947

County or City	Under 15		15-19		20-24		25-29		30-34		35-39		40-44		45 & Over		Unknown		Total	
	M	F	M	F	M	F	M	F	M	F	M	F	M	F	M	F	M	F	M	F
	Adams			5	7	20	16	20	21	9	9	5	4		1					59
Asotin			7	11	48	33	34	29	17	11	4	5	4	1			2		116	90
Benton	1		55	44	148	123	126	126	100	73	36	44	11	9	1	1			477	421
Rural	1		38	31	87	61	60	52	37	28	17	23	6	5	1	1			245	202
Richland			17	13	61	62	66	74	63	45	19	21	5	4	1	1			232	219
Chelan			76	84	224	208	178	158	90	75	37	44	7	13	1	1	1		614	583
Rural			47	54	148	133	121	87	55	48	23	31	4	9	1	1			400	362
Wenatchee			29	30	76	75	57	71	35	27	14	13	3	4	1	1			214	221
Clallam			47	34	123	127	83	110	51	55	16	17	4	6	3				327	349
Rural			26	19	60	60	32	51	16	29	7	10	4	3	3				148	172
Port Angeles			21	15	63	67	51	59	35	26	9	7		3					179	177
Clark	1		139	108	424	427	329	311	190	188	98	78	18	24	2	2	2		1202	1138
Rural			99	86	302	298	227	205	131	128	70	51	12	13	2	1			843	782
Vancouver			40	22	122	129	102	106	59	60	28	27	6	11	1	1	2		359	356
Columbia			14	8	22	22	25	13	4	9	6	5							71	57
Cowlitz	1		105	86	249	257	196	179	103	105	42	57	15	8	2	1			713	694
Rural			71	51	144	132	101	103	53	50	21	31	8	6	2	1			401	374
Longview	1		34	35	105	125	95	76	50	55	21	26	7	2					312	320
Douglas			11	21	37	39	26	33	15	10	8	4	3	1	1				101	108
Ferry			7	8	11	10	16	12	10	6	8	4	1	1	1				53	41
Franklin			21	23	58	69	46	47	26	23	8	6	2	4	1				162	172
Garfield			6	7	18	8	6	11	4	6	5	1	1						40	33
Grant			22	20	76	68	82	68	55	44	15	26	4	1	1				254	228
Grays Harbor			91	77	255	242	211	186	109	120	63	46	12	11	1				741	685
Rural			47	31	93	99	86	63	46	33	23	27	6	5					301	260
Aberdeen			26	25	110	101	80	75	38	63	26	12	4	4	1				284	281
Hoquiam			18	21	52	42	45	48	25	24	14	7	2	2					156	144
Island			10	11	42	33	27	32	19	14	6	6	1	1	1				106	96
Jefferson			15	10	40	59	35	31	15	18	9	8	2	2	2				116	130
King	1	6	767	722	3093	2968	2904	2833	1663	1612	698	681	156	117	6	7	5	8	9293	8954
Rural	1		289	253	1005	1082	1024	996	599	522	250	257	65	44	3		2	3	3238	3157
Benton			29	31	150	137	116	102	42	51	14	14	2						353	336
Seattle		6	449	438	1938	1749	1764	1735	1022	1039	434	410	89	73	3	6	3	5	5702	5461
Kittitas	2	1	151	143	442	449	349	331	182	202	81	89	19	20	2	2	1	1	1229	1237
Rural	1		58	71	206	205	179	153	92	106	49	47	12	11	1	2	1		599	595
Bremerton	1	1	93	72	236	244	170	178	90	96	32	42	7	9	1				630	642
Kittitas	1		40	31	102	91	70	81	40	52	20	26	5	4	1				280	285
Klickitat	1		23	15	52	45	36	27	29	29	4	14	3		1				149	130

TABLE 4.- LIVEBIRTHS IN THE COUNTIES AND MAJOR CITIES OF THE STATE OF WASHINGTON, BY AGE OF MOTHER, AND BY SEX OF CHILD, ALLOCATED TO RESIDENCE OF THE MOTHER, 1947

County or City	Under 15		15-19		20-24		25-29		30-34		35-39		40-44		45 & Over		Unknown		Total	
	M	F	M	F	M	F	M	F	M	F	M	F	M	F	M	F	M	F	M	F
Lewis			87	64	182	184	126	138	83	86	45	39	8	5			1		532	516
Lincoln			15	13	38	36	40	34	24	27	12	10	4	2				1	133	123
Mason			25	23	86	60	58	49	24	29	8	14	6	3					207	179
Okanogan	1	63	63	157	126	102	102	51	61	17	29	5	11						399	393
Pacific			25	22	71	61	53	46	28	18	10	19	4	5				1	192	172
Pend Oreille			11	15	23	33	25	25	14	8	5	5	3	9					82	95
Pierce			326	320	1027	951	877	835	536	480	225	204	47	51	2	1	4	1	3044	2843
Rural			114	98	331	307	262	264	182	149	79	73	22	13	2	1	2		992	905
Puyallup			17	12	50	29	37	37	22	17	6	8	1	2					134	105
Tacoma			195	210	646	615	578	534	332	314	140	123	24	36	1		2	1	1918	1833
San Juan			3	5	6	13	13	11	6	1	3	4							31	34
Skagit	1	62	62	191	189	142	157	91	77	51	39	11	13						529	537
Skamania			9	5	13	12	6	17	10	10	4	4	2						44	48
Snohomish	3	2	153	162	449	456	409	346	199	195	97	71	30	18	1			2	1341	1252
Rural	3	1	93	102	259	256	230	194	124	129	66	42	20	13	1				796	737
Everett			1	60	190	200	179	152	75	66	31	29	10	5					545	515
Spokane	1	1	249	253	921	915	788	744	418	396	223	192	36	36	2	1	2	2	2640	2540
Rural			51	53	192	200	159	178	98	94	62	54	11	9					575	590
Spokane	1	1	198	200	728	715	629	566	320	302	161	138	25	27	2	1			2065	1950
Stevens			25	31	62	75	45	71	31	25	17	24	6	5					186	231
Thurston			70	82	183	173	153	151	88	81	45	51	10	9	1			1	550	548
Rural			44	49	117	118	91	99	52	49	27	28	5	7	1			1	337	351
Olympia			26	33	66	55	62	52	36	32	18	23	5	2					213	197
Wahkiakum			4	8	20	13	15	15	5	5	3	2	1						48	43
Walla Walla			38	56	167	154	139	130	72	55	35	34	3	5					454	435
Rural			9	22	45	47	54	45	29	14	10	11	1	2					148	142
Walla Walla			29	34	122	107	85	85	43	41	25	23	2	3					306	293
Whatcom			70	95	294	295	242	219	145	147	67	68	20	17					840	843
Rural			39	45	128	129	114	95	71	62	29	39	10	9				2	393	380
Bellingham			31	50	166	166	128	124	74	85	38	29	10	8					447	463
Whitman			32	25	156	140	116	109	56	59	49	21	6	5					415	359
Yakima	1	3	305	291	684	673	457	459	252	285	145	124	53	41	4	3			1901	1879
Rural	1	3	206	205	430	442	294	306	159	187	97	81	34	32	4	2			1225	1258
Yakima			99	86	254	231	163	153	93	98	48	43	19	9					676	621
URBAN TOTAL	2	10	1411	1367	5136	4849	4407	4227	2254	2441	1078	995	221	204	9	13	7	8	14723	14134
RURAL TOTAL	10	6	1773	1678	5078	5004	4262	4070	2410	2265	1132	1124	302	253	25	15	14	10	14946	14425
GRAND TOTAL	12	16	3184	3065	10214	9853	8609	8297	4864	4706	2210	2119	523	457	34	28	21	18	29671	28559

TABLE 5

LIVEBIRTHS IN THE COUNTIES AND MAJOR CITIES OF THE STATE OF WASHINGTON, BY PERSON IN ATTENDANCE, ALLOCATED TO RESIDENCE OF MOTHER, 1947

County or City	Physi- cian	Mid- wife	Osteo- path	Sani- practor	Emergen- cy (taxi driver etc)	Not Stated	Total
Adams	117						117
Asotin	202			4			206
Benton	892		3	2		1	898
Rural	443		3			1	447
Richland	449			2			451
Chelan	1191		6				1197
Rural	756		6				762
Wenatchee	435						435
Clallam	652	3	12		9		676
Rural	296	3	12		9		320
Port Angeles	356						356
Clark	2327		8		1	4	2340
Rural	1614		6		1	4	1625
Vancouver	713		2				715
Columbia	128						128
Cowlitz	1399		8				1407
Rural	769		6				775
Longview	630		2				632
Douglas	207		1		1		209
Ferry	94						94
Franklin	333		1				334
Garfield	73						73
Grant	479			1		2	482
Grays Harbor	1422				2	2	1426
Rural	557				2	2	561
Aberdeen	565						565
Hoquiam	300						300
Island	202						202
Jefferson	244		2				246
King	17640	1	579	3	18	6	18247
Rural	6164	1	216	2	11	1	6395
Renton	672		17				689
Seattle	10804		346	1	7	5	11163
Kitsap	2453		7		5	1	2466
Rural	1186		3		5		1194
Bremerton	1267		4			1	1272
Kittitas	563		2				565
Klickitat	276				2	1	279
Lewis	1042		4			2	1048
Lincoln	251		4		1		256
Mason	382		2		2		386
Okanogan	662		130				792
Pacific	363		1				364
Pend Oreille	177						177
Pierce	5863		17		5	2	5887
Rural	1884		11		2		1897
Puyallup	239						239
Tacoma	3740		6		3	2	3751

TABLE 5 (Cont.)

LIVEBIRTHS IN THE COUNTIES AND MAJOR CITIES OF THE STATE OF WASHINGTON, BY PERSON IN ATTENDANCE, ALLOCATED TO RESIDENCE OF MOTHER, 1947

County or City	Physi- cian	Mid- wife	Osteo- path	Sani- practor	Emergen- cy (taxi driver etc)	Not Stated	Total
San Juan	65						65
Skagit	1057		3		5	1	1066
Skamania	92						92
Snohomish	2550		36		5	2	2593
Rural	1507		22		2	2	1533
Everett	1043		14		3		1060
Spokane	5150		7	16	6	1	5180
Rural	1157		1	4	3		1165
Spokane	3993		6	12	3	1	4015
Stevens	413				3	1	417
Thurston	1056		6	33	1	2	1098
Rural	653			33		2	688
Olympia	403		6		1		410
Wahkiakum	91						91
Walla Walla	886		2		1		889
Rural	289				1		290
Walla Walla	597		2				599
Whatcom	1680				1	2	1683
Rural	772				1		773
Bellingham	908					2	910
Whitman	754		16	1		3	774
Yakima	3388	1	382	1	8		3780
Rural	2270	1	203	1	8		2483
Yakima	1118		179				1297
URBAN TOTAL	28232	0	584	15	17	11	28859
RURAL TOTAL	28584	5	155	46	59	22	29371
GRAND TOTAL	56816	5	1239	61	76	33	58230
Percent of total	97.6	*	2.1	0.1	0.1	0.1	100.0

* Less than .05 percent

TABLE 6

BIRTHS IN THE COUNTIES AND MAJOR CITIES OF THE STATE OF WASHINGTON, BY PLACE OF BIRTH, WITH PERCENTAGES OF TOTAL, ALLOCATED TO RESIDENCE OF MOTHER, 1947

County or City	General Hospital	Maternity Home	Nursing Home	Home	Other	Total
Adams	114			3		117
Asotin	200	1		5		206
Benton	859	33		6		898
Rural	412	29		6		447
Richland	447	4				451
Chelan	1141	9		46	1	1197
Rural	710	7		45		762
Wenatchee	431	2		1	1	435
Clallam	625	20	1	23	7	676
Rural	273	17	1	22	7	320
Port Angeles	352	3		1		356
Clark	2317	9		12	2	2340
Rural	1603	9		12	1	1625
Vancouver	714				1	715
Columbia	128					128
Cowlitz	1385	17		3	2	1407
Rural	755	15		3	2	775
Longview	630	2				632
Douglas	201	3		4	1	209
Ferry	90	2		2		94
Franklin	328	5		1		334
Garfield	60	1		12		73
Grant	447	23		10	2	482
Grays Harbor	1407	5		13	1	1426
Rural	548	2		11		561
Aberdeen	560	3		1	1	565
Hoquiam	299			1		300
Island	84	114		4		202
Jefferson	236	6		4		246
King	17822	285	4	125	11	18247
Rural	6234	82	2	69	8	6395
Renton	672	6	2	8	1	689
Seattle	10916	197		48	2	11163
Kitsap	2400	20		18	28	2466
Rural	1141	7		18	28	1194
Bremerton	1259	13				1272
Kittitas	558			6	1	565
Klickitat	277			2		279
Lewis	1026	7		11	4	1048
Lincoln	201	33		18	4	256
Mason	380	1		4	1	386
Okanogan	752	10		24	6	792
Pacific	334	1		19	10	364
Pend Oreille	166	1		9	1	177
Pierce	5775	58	1	47	6	5887
Rural	1822	42	1	26	6	1897
Puyallup	238			1		239
Tacoma	3715	16		20		3751

TABLE 6 (Cont.)

BIRTHS IN THE COUNTIES AND MAJOR CITIES OF THE STATE OF WASHINGTON, BY PLACE OF BIRTH, WITH PERCENTAGES OF TOTAL, ALLOCATED TO RESIDENCE OF MOTHER, 1947

County or City	General Hospital	Maternity Home	Nursing Home	Home	Other	Total
San Juan	47	4		14		65
Skagit	1043	5		13	5	1066
Skamania	91	1				92
Snohomish	2510	14		63	6	2593
Rural	1462	13		52	6	1533
Everett	1048	1		11		1060
Spokane	5090	53		35	2	5180
Rural	1129	15		20	1	1165
Spokane	3961	38		15	1	4015
Stevens	410	1		6		417
Thurston	1045	8		42	3	1098
Rural	643	7		35	3	688
Olympia	402	1		7		410
Wahkiakum	90	1				91
Walla Walla	882	6		1		889
Rural	287	2		1		290
Walla Walla	595	4				599
Whatcom	1664	6		8	5	1683
Rural	760	2		8	3	773
Bellingham	904	4			2	910
Whitman	740	19	3	9	3	774
Yakima	3421	246	1	104	8	3780
Rural	2136	236	1	102	8	2483
Yakima	1285	10		2		1297
URBAN TOTAL	28428	304	2	116	9	28859
RURAL TOTAL	27918	724	8	610	111	29371
GRAND TOTAL	56346	1028	10	726	120	58230
Percent of Total	96.8	1.8	*	1.2	0.2	100.0

* Less than 0.05

TABLE 7

NUMBER OF MOTHERS, BY RACE, HAVING MULTIPLE BIRTHS (TWINS, TRIPLETS, ETC.)
IN THE COUNTIES AND MAJOR CITIES OF THE STATE OF WASHINGTON,
BY RESIDENCE OF MOTHER, 1947

County or City	White	Negro	Indian	Chinese	Japanese	Other	Total
Adams	1						1
Asotin	1						1
Benton	12						12
Rural	6						6
Richland	6						6
Chelan	14						14
Rural	11						11
Wenatchee	3						3
Clallam	9						9
Rural	3						3
Port Angeles	6						6
Clark	24	1					25
Rural	18	1					19
Vancouver	6						6
Columbia							0
Cowlitz	16						16
Rural	7						7
Longview	9						9
Douglas	1						1
Ferry	1						1
Franklin	3	1					4
Garfield	1						1
Grant	4						4
Grays Harbor	18						18
Rural	7						7
Aberdeen	8						8
Hoquiam	3						3
Island	1						1
Jefferson	2						2
King	181	6	2		1	2	192
Rural	68				1	1	70
Renton	6						6
Seattle	107	6	2			1	116
Kitsap	19	1					20
Rural	12	1*					13
Bremerton	7						7
Kittitas	7						7
Klickitat	4						4
Lewis	14						14
Lincoln	6	1					7
Mason	2						2
Okanogan	10						10
Pacific	1						1
Pend Oreille	4						4
Pierce	60	1	1				62
Rural	18						18
Puyallup	4						4
Tacoma	38	1	1				40
San Juan							0
Skagit	15*						15

TABLE 7 (Cont.)

NUMBER OF MOTHERS, BY RACE, HAVING MULTIPLE BIRTHS (TWINS, TRIPLETS, ETC.)
IN THE COUNTIES AND MAJOR CITIES OF THE STATE OF WASHINGTON,
BY RESIDENCE OF MOTHER, 1947

County or City	White	Negro	Indian	Chinese	Japanese	Other	Total
Skamania	1						1
Snohomish	35						35
Rural	23						23
Everett	12						12
Spokane	57						57
Rural	7						7
Spokane	50*						50
Stevens	2						2
Thurston	7						7
Rural	6						6
Olympia	1						1
Wahkiakum	1						1
Walla Walla	11						11
Rural	4						4
Walla Walla	7						7
Whatcom	19						19
Rural	10						10
Bellingham	9						9
Whitman	5						5
Yakima	36		1				37
Rural	24						24
Yakima	12		1				13
URBAN TOTAL	294	7	4	0	0	1	306
RURAL TOTAL	311	4	0	0	1	1	317
GRAND TOTAL	605	11	4	0	1	2	623

* Includes one set of triplets

TABLE 8

ILLEGITIMATE BIRTHS, BY AGE OF MOTHER, IN THE COUNTIES AND MAJOR CITIES OF
THE STATE OF WASHINGTON, WITH RATES PER 1,000 LIVEBIRTHS,
ALLOCATED TO RESIDENCE OF MOTHER, 1947

County or City	10-14	15-19	20-24	25-29	30-34	35-39	40-44	45 & over	Total	Rate
Adams					1				1	8.5
Asotin		2			1				3	14.6
Benton	1	4	3	3					11	12.2
Rural	1	3	1						5	11.2
Richland		1	2	3					6	13.3
Chelan		13	11	3	3	1			31	25.9
Rural		11	3	2	1				17	22.3
Wenatchee		2	8	1	2	1			14	32.2
Clallam		7	4	3					14	20.7
Rural		3	2	1					6	18.8
Port Angeles		4	2	2					8	22.5
Clark		9	10	2	1				22	9.4
Rural		8	7	2	1				18	11.1
Vancouver		1	3						4	5.6
Columbia		1							1	7.8
Cowlitz	1	3	7	3	1		2		17	12.1
Rural		2	2	2	1				7	9.0
Longview	1	1	5	1			2		10	15.8
Douglas		1	1	1					3	14.4
Ferry			3			1			4	42.6
Franklin		7	2	1					10	29.9
Garfield		1							1	13.7
Grant		5	1		1				7	14.5
Grays Harbor		6	3	3	1				13	9.1
Rural		4	1						5	8.9
Aberdeen			2	3	1				6	10.6
Hoquiam		2							2	6.7
Island		1	3						4	19.8
Jefferson		1	2	1					4	16.3
King	5	152	171	89	32	21	3	2	475	26.0
Rural		52	31	21	5	4	2	1	116	18.2
Renton		4	4	2	2				12	17.4
Seattle	5	96	136	66	25	17	1	1	347	31.1
Kitsap	2	12	21	14	3	1			53	21.5
Rural	1	4	8	7					20	16.8
Bremerton	1	8	13	7	3	1			33	25.9
Kittitas		2	1						3	5.3
Klickitat			1						1	3.6
Lewis		3	1	3	2		1		10	9.2
Lincoln		1							1	3.9
Mason		3	1		1				5	13.0
Okanogan	1	14	1	1		1	1		19	24.0
acific		3		1					4	11.0
Pend Oreille		3	3						6	33.9
Pierce		57	44	24	10	4			139	23.6
Rural		23	11	7		1			42	22.1
Puyallup		1							1	4.2
Tacoma		33	33	17	10	3			96	25.6

TABLE 8 (Cont.)

ILLEGITIMATE BIRTHS, BY AGE OF MOTHER, IN THE COUNTIES AND MAJOR CITIES OF
THE STATE OF WASHINGTON, WITH RATES PER 1,000 LIVEBIRTHS,
ALLOCATED TO RESIDENCE OF MOTHER, 1947

County or City	10-14	15-19	20-24	25-29	30-34	35-39	40-44	45 & over	Total	Rate
San Juan									0	0.0
Skagit	1	7	4	3	2				17	15.9
Skamania									0	0.0
Snohomish	3	22	22	8	2	3			60	23.1
Rural	2	14	11	4	1	1			33	21.5
Everett	1	8	11	4	1	2			27	25.5
Spokane	2	40	46	12	10	5	1		116	22.4
Rural		5	6		1				12	10.3
Spokane	2	35	40	12	9	5	1		104	25.9
Stevens			4	2					6	14.4
Thurston		8	4	4	1	2			19	17.3
Rural		5	3	4		2			14	20.3
Olympia		3	1		1				5	12.2
Wahkiakum		1							1	11.0
Walla Walla		5	8	1		1			15	16.9
Rural		2							2	6.9
Walla Walla		3	8	1		1			13	21.7
Whatcom		11	11	3					25	14.8
Rural		6	2	2					10	12.9
Bellingham		5	9	1					15	16.5
Whitman		2	2	1	1				6	7.8
Yakima	2	45	31	8	4				90	23.8
Rural	2	21	22	6	1				52	20.9
Yakima		24	9	2	3				38	29.3
URBAN TOTAL	10	231	286	122	57	30	4	1	741	25.7
RURAL TOTAL	8	221	140	72	20	10	4	1	476	16.2
GRAND TOTAL	18	452	426	194	77	40	8	2	1217	20.9

TABLE 9

PREMATURE BIRTHS, BY AGE OF MOTHER, IN THE COUNTIES AND MAJOR CITIES OF THE STATE OF WASHINGTON, WITH RATES PER 1,000 LIVEBIRTHS, ALLOCATED TO RESIDENCE OF MOTHER, 1947

County or City	15-19 years	20-24 years	25-29 years	30-34 years	35-39 years	40-44 years	45 and over	Un-known age	Total	Rate
Adams	1	2	2	2		1			8	68.4
Asotin			3						3	14.6
Benton	1	10	11	11	7	1			41	45.6
Rural	1	6	8	3	3	1			22	49.2
Richland		4	3	8	4				19	42.1
Chelan	7	17	7	6	4				41	34.2
Rural	3	9	4	4	2				22	28.9
Wenatchee	4	8	3	2	2				19	43.7
Clallam	5	9	10	6	4				34	50.3
Rural	3	6	4	3	2				18	56.2
Port Angeles	2	3	6	3	2				16	44.9
Clark	23	54	37	27	8	4			153	65.4
Rural	13	37	24	18	3	3			98	60.3
Vancouver	10	17	13	9	5	1			55	76.9
Columbia			2		1				3	23.4
Cowlitz	2	18	7	11	8				46	32.7
Rural	2	11	3	7	3				26	33.5
Longview		7	4	4	5				20	31.6
Douglas	2	2		1					5	23.9
Ferry	2	2		2	1				7	74.5
Franklin	3	6	1	3	2				15	44.9
Garfield		1	1		2				4	54.8
Grant	1	5	11	5					22	45.6
Grays Harbor	8	30	34	15	11		1		99	69.4
Rural	2	8	14	6	7				37	66.0
Aberdeen	4	21	12	7	2		1		47	83.2
Hoquiam	2	1	8	2	2				15	50.0
Island	1	2	2	2	1				8	39.6
Jefferson	1	5	3	3	1				13	52.8
King	128	484	481	298	116	31	1	3	1542	84.5
Rural	47	150	141	103	44	6		1	492	76.9
Renton	5	24	21	9	3	1			63	91.4
Seattle	76	310	319	186	69	24	1	2	987	88.4
Kitsap	19	52	38	32	8	3			152	61.6
Rural	9	26	17	17	4	2			75	62.8
Bremerton	10	26	21	15	4	1			77	60.5
Kittitas	4	10	3	7	3				27	47.8
Klickitat	5	6	4	1	2		1	1	20	71.7
Lewis	9	19	12	7	5			1	53	48.9
Lincoln	3	8	18	13	5	1			48	187.5
Mason	2	4	3	3	2	2			16	41.4
Okanogan	5	2		2	3	1			13	16.4
acific	1	7	3	1	1				13	35.7
Pend Oreille	2		5	2	1				10	56.5
Pierce	63	161	135	83	36	7			485	82.4
Rural	20	52	31	26	12	2			143	75.4
Puyallup	1	6	8	2		1			18	75.3
Tacoma	42	103	96	55	24	4			324	86.4

TABLE 9 (Cont.)

PREMATURE BIRTHS, BY AGE OF MOTHER, IN THE COUNTIES AND MAJOR CITIES OF
THE STATE OF WASHINGTON, WITH RATES PER 1,000 LIVEBIRTHS,
ALLOCATED TO RESIDENCE OF MOTHER, 1947

County or City	15-19 years	20-24 years	25-29 years	30-34 years	35-39 years	40-44 years	45 and over	Un-known age	Total	Rate
San Juan		3			1				4	61.5
Skagit	4	12	11	3	4	1			35	32.8
Skamania	2		3	1					6	65.2
Snohomish	25	57	53	33	8	5			181	69.8
Rural	7	24	30	14	4	4			83	54.1
Everett	18	33	23	19	4	1			98	92.4
Spokane	49	163	152	95	56	9	1		525	101.4
Rural	11	29	33	22	9	2			106	91.0
Spokane	38	134	119	73	47	7	1		419	104.3
Stevens		7	6	1	2	2			18	43.2
Thurston	11	20	12	5	2	1			51	46.4
Rural	7	12	6	3		1			29	42.2
Olympia	4	8	6	2	2				22	53.7
Wahkiakum	2								2	22.0
Walla Walla	1	13	10	6	1				31	34.9
Rural	1	3	5	1					10	34.5
Walla Walla		10	5	5	1				21	35.1
Whatcom	6	13	11	6	3	2			41	24.4
Rural	1	5	4	1	2	1			14	18.1
Bellingham	5	8	7	5	1	1			27	29.7
Whitman	4	19	13	9	7	1			53	68.5
Yakima	30	57	38	25	12	3	2		167	44.2
Rural	23	30	30	19	6	2	2		112	45.1
Yakima	7	27	8	6	6	1			55	42.4
URBAN TOTAL	228	750	682	412	183	42	3	2	2302	79.8
RURAL TOTAL	204	530	460	315	145	33	3	3	1693	57.6
GRAND TOTAL	432	1280	1142	727	328	75	6	5	3995	68.6

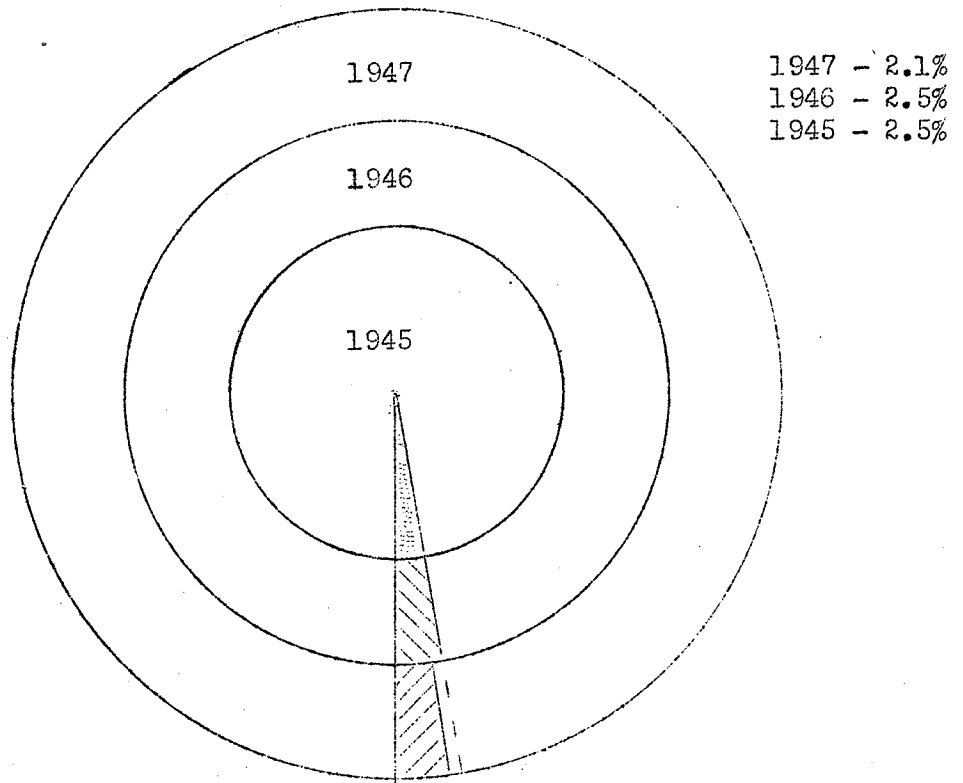


FIGURE 3 -- RATIO OF ILLEGITIMATE BIRTHS TO ALL LIVEBIRTHS IN THE STATE OF WASHINGTON, 1945 - 1947

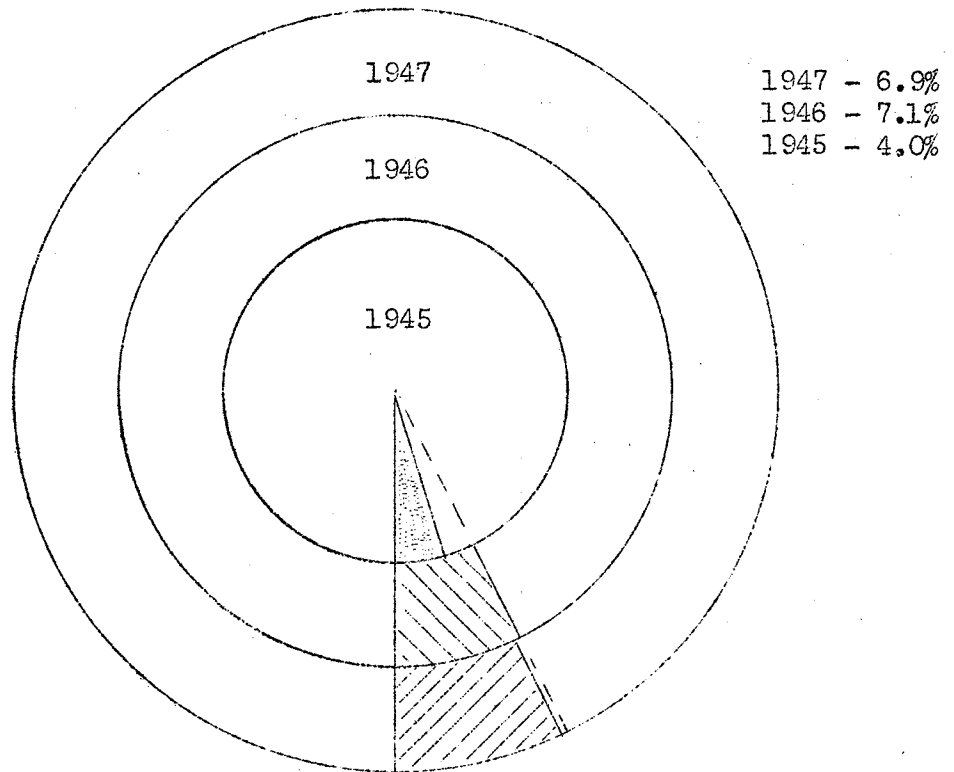


FIGURE 4 -- RATIO OF PREMATURE BIRTHS TO ALL LIVEBIRTHS IN THE STATE OF WASHINGTON, 1945 - 1947

TABLE 10

NUMBER OF LIVEBIRTHS IN THE COUNTIES AND MAJOR CITIES OF THE STATE OF WASHINGTON,
BY PRESENCE OR ABSENCE OF CONGENITAL MALFORMATION, WITH PERCENTAGES,
ALLOCATED TO RESIDENCE OF MOTHER, 1947

County or City	Number			Percent of Total	
	Present	Not Present	Total	Present	Not Present
Adams	2	115	117	1.7	98.3
Asotin	0	206	206	0	100.0
Benton	9	889	898	1.0	99.0
Rural	4	443	447	0.9	99.1
Richland	5	446	451	1.1	98.9
Chelan	12	1185	1197	1.0	99.0
Rural	10	752	762	1.3	98.7
Wenatchee	2	433	435	0.5	99.5
Clallam	8	668	676	1.2	98.8
Rural	4	316	320	1.3	98.7
Port Angeles	4	352	356	1.1	98.9
Clark	14	2326	2340	0.6	99.4
Rural	8	1617	1625	0.5	99.5
Vancouver	6	709	715	0.8	99.2
Columbia	1	127	128	0.8	99.2
Cowlitz	17	1390	1407	1.2	98.8
Rural	9	766	775	1.2	98.8
Longview	8	624	632	1.3	98.7
Douglas	1	208	209	0.5	99.5
Ferry	0	94	94	0.0	100.0
Franklin	2	332	334	0.6	99.4
Garfield	2	71	73	2.7	97.3
Grant	12	470	482	2.5	97.5
Grays Harbor	20	1406	1426	1.4	98.6
Rural	7	554	561	1.2	98.8
Aberdeen	8	557	565	1.4	98.6
Hoquiam	5	295	300	1.7	98.3
Island	2	200	202	1.0	99.0
Jefferson	2	244	246	0.8	99.2
King	174	18073	18247	1.0	99.0
Rural	72	6323	6395	1.1	98.9
Renton	4	685	689	0.6	99.4
Seattle	98	11065	11163	0.9	99.1
Kitsap	34	2432	2466	1.4	98.6
Rural	12	1182	1194	1.0	99.0
Bremerton	22	1250	1272	1.7	98.3
Kittitas	3	562	565	0.5	99.5
Klickitat	1	278	279	0.4	99.6
Lewis	11	1037	1048	1.0	99.0
Lincoln	2	254	256	0.8	99.2
Mason	3	383	386	0.8	99.2
Okanogan	9	783	792	1.1	98.9
Pacific	7	357	364	1.9	98.1
Pend Oreille	2	175	177	1.1	98.9
Pierce	60	5827	5887	1.0	99.0
Rural	19	1878	1897	1.0	99.0
Puyallup	1	238	239	0.4	99.6
Tacoma	40	3711	3751	1.0	99.0

TABLE 10 (Cont.)

NUMBER OF LIVEBIRTHS IN THE COUNTIES AND MAJOR CITIES OF THE STATE OF WASHINGTON,
BY PRESENCE OR ABSENCE OF CONGENITAL MALFORMATION, WITH PERCENTAGES,
ALLOCATED TO RESIDENCE OF MOTHER, 1947

County or City	Number			Percent of Total	
	Present	Not Present	Total	Present	Not Present
San Juan	1	64	65	1.5	98.5
Skagit	12	1054	1066	1.1	98.9
Skamania	0	92	92	0	100.0
Snohomish	25	2568	2593	1.0	99.0
Rural	15	1518	1533	1.0	99.0
Everett	10	1050	1060	0.9	99.1
Spokane	52	5128	5180	1.0	99.0
Rural	14	1151	1165	1.2	98.8
Spokane	38	4977	5015	0.9	99.1
Stevens	3	414	417	0.7	99.3
Thurston	8	1090	1098	0.7	99.3
Rural	7	681	688	1.0	99.0
Olympia	1	409	410	0.2	99.8
Wahkiakum	1	90	91	1.1	98.9
Walla Walla	4	885	889	0.4	99.6
Rural	4	286	290	1.4	98.6
Walla Walla	0	599	599	0.0	100.0
Whatcom	9	1674	1683	0.5	99.5
Rural	4	769	773	0.5	99.5
Bellingham	5	905	910	0.5	99.5
Whitman	11	763	774	1.4	98.6
Yakima	43	3737	3780	1.1	98.9
Rural	32	2451	2483	1.3	98.7
Yakima	11	1286	1297	0.8	99.2
URBAN TOTAL	268	28591	28859	0.9	99.1
RURAL TOTAL	311	29050	29371	1.0	99.0
GRAND TOTAL	579	57651	58230	1.0	99.0

TABLE 11

NUMBER OF PRENATAL SEROLOGICAL TESTS FOR SYPHILIS, BY PHYSICIAN'S DIAGNOSIS, WHITE RACE AND AGE OF MOTHER ALLOCATED TO COUNTY AND CITY OF MOTHER'S RESIDENCE, STATE OF WASHINGTON, 1947

County or City	Under 15 years		15 to 19		20 to 24		25 to 29		30 to 34		35 to 39		40 to 44		45 and over		Unknown		Totals		
	Pos	Neg	Pos	Neg	Pos	Neg	Pos	Neg	Pos	Neg	Pos	Neg	Pos	Neg	Pos	Neg	Pos	Neg	Pos	Neg	
Adams				12		41			18			9								116	
Asotin				18		63			28			9								206	
Benton	1			99	2	269			173			80			2					896	2
Rural	1			69	2	146			65			40			1					445	2
Richland				30		123			108			40			1					451	
Chelan				160		430			165			81			2					1193	1
Rural				101		280			103			54			1					759	1
Wenatchee				59		150			62			27			1					434	
Clallam				71	1	239			105			30			1					642	1
Rural				37	1	103			44			14			1					289	1
Port Angeles				34		130			61			16								353	
Clark				1	241	3	832		627	1	369		174		4					2291	2
Rural				180		521			424	1	252		120		3					1595	1
Vancouver				1	61	3	241		203		117		54		1					696	2
Columbia				22		44	1		37		13		11							127	1
Cowlitz	2			191	1	503			375		208	1	98		3					1403	2
Rural	1			122	1	275			204		103	1	51		3					773	2
Longview	1			69		228			171		105		47		1					630	
Douglas				31		75			59		25		12		1					207	2
Ferry				13	2	14			25		12		10		1					75	
Franklin				42		126			90	1	47		14		1					326	1
Garfield				13		26			17		10		6							73	
Grant				41		147			96		41		5		1					476	
Grays Harbor				164	3	487	1	388	226		105		22		1					1395	4
Rural				74		186	1	141	76		47		10		2					536	2
Aberdeen				51	3	207		154	101		37		8		1					559	3
Hoquiam				39		94		96	49		21		4							300	
Island				21		75		59	33		12		1		1					202	
Jefferson				22		97		62	33		16		4		2					236	

TABLE 11 (Cont.)

NUMBER OF PRENATAL SEROLOGICAL TESTS FOR SYPHILIS, BY PHYSICIAN'S DIAGNOSIS, WHITE RACE, AND AGE OF MOTHER, ALLOCATED TO COUNTY AND CITY OF MOTHER'S RESIDENCE, STATE OF WASHINGTON, 1947

County or City	Under 15 years		15 to 19		20 to 24		25 to 29		30 to 34		35 to 39		40 to 44		45 and over		Unknown		Totals	
	Pos	Neg	Pos	Neg	Pos	Neg	Pos	Neg	Pos	Neg	Pos	Neg	Pos	Neg	Pos	Neg	Pos	Neg	Positive	Negative
King	3	1378	12	5741	4	5507	5	3168	5	1339	1	260	11	8	30	17415				
Rural	1	522	3	2045	1	1983	3	1103	3	498	2	107	3	2	11	6264				
Renton		59		279		213		89		27		2				669				
Seattle	2	797	9	3417	3	3311	2	1976	2	814	3	151	8	6	19	10482				
Kitsap	2	284	3	853	3	664	1	373	1	164		36	4	1	7	2381				
Rural	1	125	2	389	3	323	1	193	1	92		21	3	1	6	1148				
Bremerton	1	159	1	464		341		180		72		15	1		1	1233				
Kittitas	1	69		191		150		90		45		9	1			556				
Klickitat	1	36		96		62		55		18		3	1			272				
Lewis		151	1	362		264	1	168		83	1	12		1	3	1041				
Lincoln		28		73		74	1	49		20		6		1	1	251				
Mason		46		143		106		53		22		8				378				
Okanogan		2	113		267	1	195	1	103		41	15			4	734				
Pacific		47		131		98		45		28		9	1			360				
Pend Oreille		25	1	53		50		20		9		12	1		1	170				
Pierce	3	614	2	1927	3	1664	1	988		423		98	3	2	11	5720				
Rural		204	1	626	1	512		328		151		35		2	4	1857				
Puyallup		2	25	79		74		39		14		3			2	235				
Tacoma	1	385	1	1222	2	1078	1	621		258		60	1	3	5	3628				
San Juan		8		19		24		7		7		7				65				
Skagit	1	122		374	1	293	2	163		70	1	22			4	1045				
Skamania		14		25		23		20		7		2				91				
Snohomish	5	310	1	896	3	745	1	386		2	2	45	1	2	7	2553				
Rural	4	192		510	1	418		247		2	2	30	1		3	1505				
Everett	1	118	1	386	2	327	1	139		60		15			4	1048				
Spokane	2	493	1	1794	2	1502	2	805		408		70	1	4	7	5080				
Rural		104	1	386		351	1	188		115		20		4	2	1148				
Spokane	2	369		1408	2	1171	1	617		293		50	1	4	5	3932				
Stevens		53		134		114		56		41		11				409				

TABLE 11 (Cont.)

NUMBER OF PRENATAL SEROLOGICAL TESTS FOR SYPHILIS, BY PHYSICIAN'S DIAGNOSIS, WHITE RACE, AND AGE OF MOTHER, ALLOCATED TO COUNTY AND CITY OF MOTHER'S RESIDENCE, STATE OF WASHINGTON, 1947

County or City	Under 15 years		15 to 19		20 to 24		25 to 29		30 to 34		35 to 39		40 to 44		45 and over		Unknown		Totals		
	Pos	Neg	Pos	Neg	Pos	Neg	Pos	Neg	Pos	Neg	Pos	Neg	Pos	Neg	Pos	Neg	Pos	Neg	Positive	Negative	
Thurston																					1084
Rural																					677
Olympia																					407
Wahkiakum																					91
Walla Walla																					882
Rural																					289
Walla Walla																					593
Whatcom																					1642
Rural																					738
Bellingham																					904
Whitman																					770
Yakima																					3650
Rural																					2383
Yakima																					1267
URBAN TOTAL	7	6	2654	18	9581	11	8549	11	4763	5	4763	3	2025	1	410	1	19	13	45	27821	
RURAL TOTAL	15	5	3326	20	9857	10	8112	10	4581	14	2300	9	2300	3	538	37	2	17	63	28683	
GRAND TOTAL	22	11	5980	38	19438	21	16661	21	9344	19	7064	12	4325	4	948	1	56	30	108	56504	
Percent of Total	0.0	**	10.2	10.6	35.2	34.4	19.4	19.4	17.6	16.5	11.1	7.5	3.7	1.7	0.9	0.1	1.8	0.1	0.2	99.8	

* Percentages for positive results based on total number of positives, similarly for negatives.
 Percentages for totals based on total number of white births.

** Less than 0.05 per cent.

TABLE 12 (Cont.)

NUMBER OF PRENATAL SEROLOGICAL TESTS FOR SYPHILIS, BY PHYSICIAN'S DIAGNOSIS, NON-WHITE RACE, AND AGE OF MOTHER, ALLOCATED TO COUNTY AND CITY OF MOTHER'S RESIDENCE, STATE OF WASHINGTON, 1947

County or City	Under 15 years		15 to 19		20 to 24		25 to 29		30 to 34		35 to 39		40 to 44		45 and over		Unknown		Totals	
	Pos	Neg	Pos	Neg	Pos	Neg	Pos	Neg	Pos	Neg	Pos	Neg	Pos	Neg	Pos	Neg	Pos	Neg	Positive	Negative
Thurston			3	4		5	1										1	0	0	14
Rural			3	4		3											1	0	0	11
Olympia						2												0	0	3
Wahkiakum						2												0	0	0
Walla Walla						1												0	0	7
Rural						1												0	0	1
Walla Walla						2												0	0	6
Whatcom			11	9	1	10	3											2	2	36
Rural			9	8	1	7	3											2	2	30
Bellingham			2	1		3												0	0	6
Whitman			1	2														0	0	3
Yakima			2	44	1	24	9											6	6	114
Rural			2	34	1	16	8											4	4	88
Yakima			5	10	1	8	1											2	2	26
URBAN TOTAL	1	4	7	131	19	367	11	263	5	122	4	41	0	14	0	2	0	2	47	946
RURAL TOTAL	0	1	3	117	3	202	3	147	1	79	1	46	0	14	1	2	0	5	12	613
GRAND TOTAL	1	5	10	248	22	569	14	410	6	201	5	87	0	28	1	4	0	7	59	1559
Percent of Total*	1.7	0.3	16.9	15.9	37.3	66.5	23.7	26.3	10.2	12.9	8.5	5.6	0.0	1.8	1.7	0.3	0.0	0.4	3.6	96.4

* Percentages for positive results based on total number of positives, similarly for negatives
Percentages for totals based on total number of non-white births.

* * * * *

MORTALITY

1947 general mortality

The total count of deaths that occurred in the State during 1947 was 21,992 resulting in a rate by place of occurrence of 10.5 per 1,000 estimated population. Allocation of deaths by residence of decedent reduced this total to 21,763 and a rate by place of residence of 10.4 per 1,000 estimated population.⁷

Death rate trend

When the general death rates for the State of Washington and for the United States were compared graphically⁸ for a ten-year period, 1938 - 1947, it was observed that the general death rates for the State remained consistently higher than the corresponding rates for the entire United States except for two of those years. During 1944, the rate for each area compared was 10.6 per 1,000 estimated population. During 1945, the general death rate for the State of Washington was 10.5 per 1,000 estimated population, while that for the United States was one-tenth point higher, or 10.6 per 1,000 estimated population.

Five-year rates

In order to somewhat average the general death rates for the counties and major cities of the State, five-year totals for the years 1943 - 1947 were compiled for each area and the corresponding rates were computed. Among the urban places (10,000 population and over) the City of Bremerton experienced the lowest general death rate of 4.6 per 1,000 estimated population, while Bellingham experienced the highest general death rate of 13.4 per 1,000 estimated population. Among the rural places (whole counties and portions

7. Table 13, p. 42-43

8. Figure 1, p. 7

of counties exclusive of cities 10,000 population and over) Benton County⁹ showed the lowest mortality rate of 5.2 per 1,000 estimated population, while Island County showed the highest mortality rate of 12.1 per 1,000 estimated population.

Reference may be made to a bar graph¹⁰ which shows the rank of counties (including cities) according to their general death rates. Island County is shown at the top with the highest rate of 12.1 per 1,000 estimated population. Ferry County represents the median for all counties with a rate of 9.5 per 1,000 estimated population. Relative rank of all counties may be observed by examination of the bar graph.

Mortality trend by least squares method

Prediction of the general mortality rate which may be expected in the State of Washington in the future has been made by utilizing the least squares statistical method.¹¹ This technique was applied to the State data 1940 - 1947.

Judged from the pattern set by the mortality rates of the period 1940 - 1947, it is highly reliable¹² that the most probable general mortality rate in 1950 will be 10.1 per 1,000 population. Similarly, in 1960, the most probable rate for the State will be 9.2 per 1,000 population, and in 1970 the most probable rate will be 8.3 per 1,000 population.

In the event medical science makes more rapid advances or less rapid advances than during 1940 - 1947, actuality of war or other major disaster or if the characteristics of the population of the State change significantly, the above estimates will be affected accordingly.

9. Although Richland increased in population to more than 10,000 during 1946 and 1947, the city is included in rural Benton County for consistent comparability.

10. Figure 5, p. 46.

11. For details of this method see any approved statistical textbook.

12. Critical ratio = 2.6.

Leading causes of death

Specific mortality rates for diseases of the heart, pneumonias, tuberculosis, motor vehicle accidents, premature birth, syphilis, and arteriosclerosis showed declines during 1947 from those shown during 1946. Other leading mortality rates showed increases during 1947 over those of 1946. These included the following leading diseases: cancer, intracranial lesions of vascular origin, nephritis, accidental fall, diabetes mellitus, and suicide.

For predictions of what mortality rates may be expected a few years hence from certain leading causes of death, reference should be made to Public Health Statistics Annual Report, Volume II, Number 3, 1946, Washington State Department of Health.

Leading causes - State and United States

Comparison of the 1947 mortality rates from leading causes of the State and the United States by means of a bar chart¹³ shows that Washington exceeded the United States in mortality rates from diseases of the heart, cancer, intracranial lesions of vascular origin, motor vehicle accidents, and suicide. However, the comparison favors the state in mortality rates from nephritis, influenza and pneumonia, premature birth, tuberculosis, and diabetes mellitus.

Deaths by attendant

Of the 21,763 deaths of residents during 1947, medical physicians attended 92.3 per cent of them at death. This was a slight increase over the 92.0 per cent so attended during 1946.

Deaths by place of death

Institutional deaths (hospitals and all other institutions) accounted for 60 per cent of all deaths of residents during 1947 as well as during 1946. However, a higher ratio of deaths at home was experienced in 1947 than in 1946. The respective percentages of the total were 35.0 and 33.2.

13. Figure 6, p. 49

Accidental deaths

Due to differences in the method of coding places of accidents in 1946 and 1947, strict comparisons cannot be made of tabulations of the two groups. In 1947, public places were the sites of 47.5 per cent of all accidents resulting in death. Almost 17 per cent of all accidents occurred in occupation and nearly 30 per cent occurred at home.

Fatalities from motor vehicle accidents constituted 30 per cent of all accidental deaths, while deaths attributed to accidental fall constituted 23 per cent of the total.

INFANT MORTALITY1947 infant mortality

Deaths of infants under one year of age during 1947 amounted to 1,640 by occurrence in the State, resulting in an occurrence rate of 27.6 per 1,000 livebirths. Allocation by mother's residence reduced the final count to 1,630 infant deaths and a rate of 28.0 per 1,000 livebirths. Comparison with the infant mortality experience in 1946 revealed that 1947 improved almost 16 per cent over the 33.2 per 1,000 livebirths in the earlier year.

Five-year rates

By adding the infant deaths in each county and major city for five years, 1943 - 1947, and referring each area to the five-year base of livebirths, rates of greater consistency have been obtained.¹⁴ Among urban areas (cities 10,000 estimated population and over), Yakima experienced the highest infant mortality rate of 42.6 per 1,000 livebirths and Seattle experienced the lowest rate of 28.3 for the five-year period. Among rural areas (whole counties and portions of counties exclusive of cities 10,000 population and over), Wahkiakum County experienced the highest infant mortality rate of 56.3 per 1,000 livebirths, and Thurston County experienced the lowest rate of 19.8 per 1,000 livebirths.

14. Table 23, p. 64-65

Rank of each county (including cities) from highest infant mortality rate to lowest mortality rate is illustrated in a bar graph.¹⁵ Wahiakum County is at the top with a rate of 56.3 while Columbia County is at the bottom with a rate of 21.0. Spokane County represents the median of all the counties with a rate of 31.7 per 1,000 livebirths. Rank of all other counties may be determined by inspection of the graph.

Infant mortality trends by least squares method

Application of the least squares statistical method to 1940 - 1947 infant mortality data in the State resulted in a trend in favor of a substantial reduction in infant mortality annually. However, this trend is not highly reliable since its standard error is too large.¹⁶ In other words, variations in the trend due to random sampling may result in a predicted infant mortality rate outside the acceptable statistical limits. Judged by the pattern thus set in 1940 - 1947, the prediction is not highly reliable that the most probable infant mortality rate in 1950 will be 29.4 per 1,000 livebirths. Likewise, in 1960 and 1970, the most probable rates are predicted to be 23.4 and 17.5 respectively per 1,000 livebirths. Fluctuations due to chance alone may produce rates that are not within acceptable statistical limits.

Further, the time element from 1947 to 1960 and 1970 may see unexpected changes in medical advancement, or the characteristics of the population may change to cause greater deviations from these predictions. With these points in mind, any predictions made from these data must be qualified by the above reservations.

15. Figure 7, p. 66

16. Critical ratio = 1.9

1947 maternal mortality

Sixty deaths from diseases of childbirth and the puerperium were recorded in the State during 1947. Fifty-nine deaths constituted the final count when allocation for residence was completed. The rate by place of occurrence as well as by residence became 1.0 per 1,000 livebirths. These rates compared favorably with those of 1946, which were 1.2 per 1,000 livebirths in each category.

Five-year rates

Accumulation of statistics on maternal deaths in the State for five years does not result in very large numbers by county and city. The totals produced and the rates derived therefrom are still not very reliable. During 1943 - 1947, among urban places (cities 10,000 estimated population and over), Port Angeles with four deaths showed the highest rate of 2.7 per 1,000 livebirths, and Everett with one death showed the lowest. Among rural areas (whole counties and portions of counties exclusive of cities of 10,000 population and over), Columbia County, with two deaths, showed the highest maternal mortality rate of 4.2, and seven counties showed no maternal deaths and therefore a rate of zero. The seven counties in this classification were Adams, Asotin, Ferry, Pend Oreille, San Juan, Skamania and Wahkiakum. The median of all counties is represented at 1.6 per 1,000 livebirths by Spokane, Jefferson and Yakima Counties. Rank of each county may be observed by scanning the graph.¹⁷

Maternal mortality trend by least squares method

Prediction of the maternal mortality rate expected in future years in the State has been made by application of the least squares statistical method to 1940 - 1947 data. The resultant trend indicated a definite decline in maternal mortality with a reliability of high statistical significance.¹⁸

17. Figure 10, p. 77

18. Trend equals three times its standard error

It is apparent, however, that if this straight-line trend is applied to the year 1950, the outcome would be a rate of almost zero, but the most probable rate will be somewhere between 1.0 and zero. The application of the straight-line least squares method is impractical to apply to the years 1960 and 1970. A curvilinear regression equation, such as a parabola which approaches zero but does not quite reach it, would give a most likely rate.

STILLBIRTHS

1947 stillbirths

By occurrence there were 925 stillbirths in the State during 1947 while allocation for residence reduced this to 907. The numbers of livebirths on the same bases were in similar ratio; 59,411 to 58,230. Consequently, the stillbirth rate was 15.6 per 1,000 livebirths in each instance. Both of these rates were favorable when compared with the 17.0 per 1,000 livebirths by place of occurrence and the 16.7 per 1,000 livebirths by residence of mother in 1946.

Diseases in, or accidents to the mother (toxemia, albuminuria, antepartum hemorrhage) caused 314, or 34.6 per cent of all stillbirths to resident mothers during the year. Twenty-four per cent of stillbirths were attributed to a group of similar causes termed death to the fetus by injury or other cause (inertia or rupture of uterus, prolapse, compression and thrombosis of cord, malpresentation and difficult labor).

Five-year rates

The total number of stillbirths for each county and major city in the State were compiled for five years, 1943 - 1947, and a five-year rate computed for each area. The city of Bellingham had the highest stillbirth rate for this period with 18.8 per 1,000 livebirths, and Hoquiam had the lowest rate with 10.7 per 1,000 live births. Of the rural areas (whole counties and portions of counties exclusive of cities under 10,000 population),

Whatcom experienced the highest rate of 22.8 per 1,000 livebirths, while Wahkiakum showed the lowest rate of 2.8. It should be pointed out, however, that Wahkiakum reported only one stillbirth in the entire five-year period.

Inspection of the bar graph¹⁹ on stillbirths showed that Pacific County ranked highest with a stillbirth rate of 21.0 for the five-year period. Wahkiakum County ranked lowest with a rate of 2.8 per 1,000 livebirths. It is observed that Thurston County represented the median of all counties with a rate of 14.2 per 1,000 livebirths. The rank of all other counties may be noted by their relative position on the graph.

19. Figure 13, p. 89

TABLE 13

DEATHS IN THE COUNTIES AND MAJOR CITIES OF THE STATE OF WASHINGTON, WITH RATES PER 1,000 ESTIMATED POPULATION, ALLOCATED TO RESIDENCE OF DECEASED AND BY PLACE OF OCCURRENCE, 1947

County or City	Residence		Occurrence	
	Number	Rate	Number	Rate
Adams	52	8.7	49	8.2
Asotin	102	10.0	81	7.9
Benton	150	4.3	103	3.0
Rural	116	5.8	69	3.5
Richland	34	2.3	34	2.3
Chelan	343	9.0	365	9.6
Rural	199	8.0	168	6.7
Wenatchee	144	11.1	197	15.2
Clallam	244	10.8	249	11.0
Rural	109	9.2	73	6.2
Port Angeles	135	12.5	176	16.3
Clark	695	9.9	736	10.5
Rural	401	9.1	204	4.6
Vancouver	294	11.3	532	20.5
Columbia	47	8.5	53	9.6
Cowlitz	403	7.9	394	7.8
Rural	271	8.2	130	3.9
Longview	132	7.5	264	15.1
Douglas	53	6.2	34	4.0
Ferry	30	7.0	24	5.6
Franklin	86	8.6	102	10.2
Garfield	30	10.3	16	5.5
Grant	119	9.8	101	8.3
Grays Harbor	607	11.4	600	11.2
Rural	206	9.8	154	7.3
Aberdeen	264	12.9	377	18.4
Hoquiam	137	11.6	69	5.8
Island	88	11.7	102	13.6
Jefferson	94	10.4	97	10.8
King	6,762	10.3	6,872	10.4
Rural	1,726	10.0	1,112	6.4
Renton	93	6.1	204	13.3
Seattle	4,943	10.5	5,556	11.8
Kitsap	599	0.7	556	0.7
Rural	389	8.6	202	4.4
Bremerton	210	6.0	354	10.1
Kittitas	172	7.4	189	8.1
Klickitat	94	8.5	87	7.9
Lewis	433	10.3	456	10.8
Lincoln	138	12.5	78	7.1
Mason	119	9.4	112	8.8
Okanogan	195	7.2	209	7.7
Pacific	157	10.1	142	9.2
Pend Oreille	63	8.4	71	9.5
Pierce	2,219	10.8	2,747	13.4
Rural	630	10.7	881	15.0
Puyallup	115	11.5	98	9.8
Tacoma	1,474	10.8	1,768	13.0

TABLE 13 (Cont.)

DEATHS IN THE COUNTIES AND MAJOR CITIES OF THE STATE OF WASHINGTON, WITH RATES PER 1,000 ESTIMATED POPULATION, ALLOCATED TO RESIDENCE OF DECEASED AND BY PLACE OF OCCURRENCE, 1947

County or City	Residence		Occurrence	
	Number	Rate	Number	Rate
San Juan	36	6.8	24	4.5
Skagit	423	9.6	652	14.8
Skamania	42	9.3	32	7.1
Snohomish	1,133	11.9	1,060	11.1
Rural	683	11.4	525	8.7
Everett	450	12.8	535	15.3
Spokane	2,158	10.9	2,625	13.2
Rural	411	7.9	560	10.8
Spokane	1,747	11.9	2,065	14.0
Stevens	195	10.5	187	10.0
Thurston	385	9.9	342	8.8
Rural	196	8.5	94	4.1
Olympia	189	11.8	248	15.5
Wahkiakum	38	9.5	21	5.2
Walla Walla	342	11.0	435	14.0
Rural	91	10.6	52	6.0
Walla Walla	251	11.2	383	17.0
Whatcom	721	11.6	705	11.4
Rural	303	10.3	277	9.4
Bellingham	418	12.9	428	13.2
Whitman	253	8.7	226	7.8
Yakima	1,066	9.3	1,058	9.2
Rural	628	7.8	565	7.0
Yakima	438	12.5	493	14.1
Western State Cus. School	17*			
Eastern State Cus. School	16*			
American Lake	47*			
Western State Hospital	331*			
Northern State Hospital	248*			
Eastern State Hospital	218*			
URBAN TOTAL	11,468	10.7	13,781	12.9
RURAL TOTAL	10,295	10.1	8,211	8.1
GRAND TOTAL	21,763	10.4	21,992	10.5

* Included in Rural and Grand Total when rates worked.

TABLE 14

DEATHS IN THE COUNTIES AND MAJOR CITIES OF THE STATE OF WASHINGTON, FOR FIVE YEARS, WITH TOTALS AND RATES, ALLOCATED TO RESIDENCE OF DECEDENT, 1943 - 1947

County or City	1943	1944	1945	1946	1947	Total	5 year average rate
Adams	48	48	57	42	52	247	8.4
Asotin	95	90	97	90	102	474	11.1
Benton	112	131	122	174	150	689	5.2
Rural	112	131	122	174	150	689	5.2
Richland							
Chelan	317	318	347	341	343	1666	9.1
Rural	162	171	187	184	199	903	7.6
Wenatchee	155	147	160	157	144	763	11.9
Clallam	206	216	205	230	244	1101	9.9
Rural	91	108	103	102	109	513	8.6
Port Angeles	115	108	102	128	135	588	11.4
Clark	802	760	674	682	695	3613	8.5
Rural	494	513	425	393	401	2226	8.7
Vancouver	308	247	249	289	294	1387	8.2
Columbia	52	71	61	46	47	277	10.6
Cowlitz	317	330	329	343	403	1722	7.3
Rural	225	225	229	252	271	1202	7.6
Longview	92	105	100	91	132	520	6.7
Douglas	66	65	58	58	53	300	9.1
Ferry	51	59	28	30	30	198	9.5
Franklin	90	79	94	76	86	425	8.0
Garfield	30	27	28	29	30	144	9.4
Grant	80	76	70	88	119	433	9.2
Grays Harbor	541	567	579	611	607	2905	11.3
Rural	223	238	219	240	206	1126	10.7
Aberdeen	216	213	236	234	264	1163	12.2
Hoquiam	102	116	124	137	137	616	10.8
Island	77	82	69	82	88	398	12.1
Jefferson	105	99	86	95	94	479	10.5
King	7117	6466	6728	6789	6762	33862	10.8
Rural	1841	1689	1720	1844	1819	8913	10.7
Renton							
Seattle	5276	4777	5008	4945	4943	24949	10.8
Kitsap	606	626	703	671	599	3205	6.9
Rural	418	395	418	407	389	2027	9.9
Bremerton	188	231	285	264	210	1178	4.6
Kittitas	161	200	176	203	172	912	8.6
Klickitat	84	106	106	79	94	469	8.4
Lewis	448	454	484	450	433	2269	11.0
Lincoln	134	132	109	101	138	614	11.2
Mason	135	119	108	123	119	604	8.9
Okanogan	198	183	182	216	195	974	7.7
Pacific	155	159	173	151	157	795	9.4
Pend Oreille	70	60	55	46	63	294	8.5
Pierce	2367	2247	2314	2154	2219	11301	11.0
Rural	843	771	778	718	745	3857	10.6
Puyallup							
Tacoma	1522	1475	1536	1436	1474	7444	11.2

TABLE 14 (Cont.)

DEATHS IN THE COUNTIES AND MAJOR CITIES OF THE STATE OF WASHINGTON, FOR FIVE YEARS, WITH TOTALS AND RATES, ALLOCATED TO RESIDENCE OF DECEDENT, 1943 - 1947

County or City	1943	1944	1945	1946	1947	Total	5 year average rate
San Juan	32	25	36	41	36	170	9.8
Skagit	417	413	423	470	423	2146	10.5
Skamania	47	21	37	30	42	177	8.3
Snohomish	1071	1025	995	1068	1133	5292	11.3
Rural	670	618	597	655	683	3223	11.0
Everett	401	407	398	413	450	2069	12.0
Spokane	2133	2035	2046	2122	2158	10494	11.3
Rural	401	368	420	410	411	2010	9.1
Spokane	1732	1667	1626	1712	1747	8484	12.0
Stevens	197	174	179	176	195	921	10.4
Thurston	407	369	379	411	385	1951	9.8
Rural	238	197	199	226	196	1056	8.8
Olympia	169	172	180	185	189	895	11.4
Wahkiakum	35	32	29	35	38	169	8.7
Walla Walla	340	385	357	388	342	1812	11.2
Rural	108	102	124	121	91	546	11.8
Walla Walla	232	283	233	267	251	1266	11.0
Whatcom	736	690	683	723	721	3553	11.8
Rural	299	292	284	303	303	1481	10.0
Bellingham	437	398	399	420	418	2072	13.4
Whitman	262	248	220	236	253	1219	8.5
Yakima	1023	1068	1128	1093	1066	5378	10.2
Rural	679	691	698	629	628	3325	9.0
Yakima	344	377	430	464	438	2053	12.7
West. State Cus. Sch.	0	0	8	11	17	36	
East. State Cus. Sch.	0	0	21	12	16	49	
American Lake	0	0	0	0	47	47	
West. State Hosp.	341	383	321	344	331	1720	
North. State Hosp.	282	271	224	240	248	1265	
East. State Hosp.	230	235	164	220	218	1067	
URBAN TOTAL	11289	10724	11066	11142	11226	55447	10.8
RURAL TOTAL	10728	10420	10226	10478	10537	52389	10.5
GRAND TOTAL	22017	21144	21292	21620	21763	107836	10.6

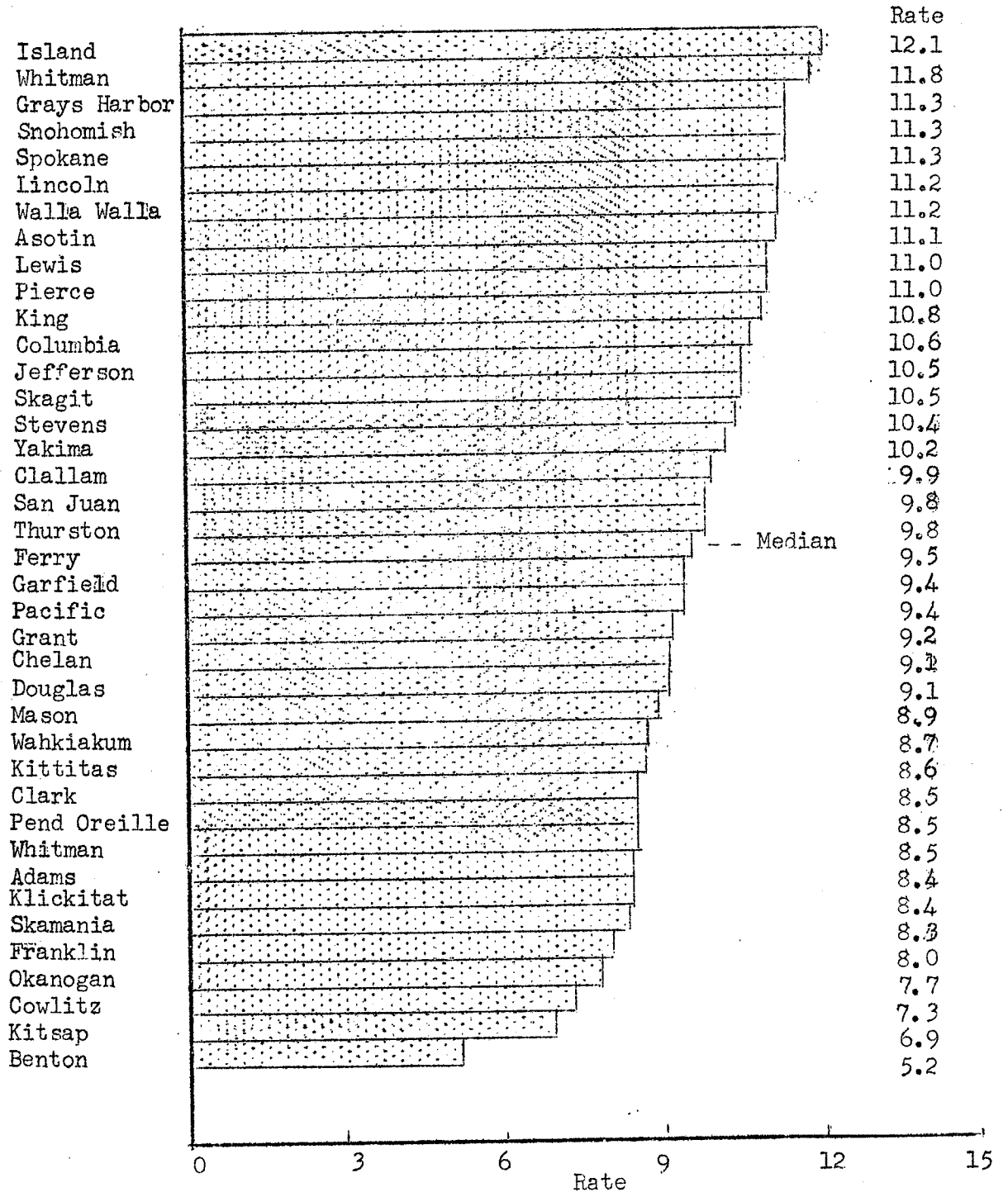


FIGURE 5 - GENERAL FIVE-YEAR DEATH RATES PER 1,000 ESTIMATED POPULATION, BY RANK FROM HIGHEST TO LOWEST RATE IN THE COUNTIES (CITIES INCLUDED) OF THE STATE OF WASHINGTON, 1943 - 1947

TABLE 15

SUMMARY OF THE NUMBER OF DEATHS FROM LEADING CAUSES, WITH RATES PER 100,000 POPULATION, STATE OF WASHINGTON, 1910 - 1947*

Year	Diseases of the heart (90-95)		Cancer and other malignant tumors (45-55)		Intracranial lesions of vascular origin (83)		Nephritis (all forms) (130-132)		Pneumonia (all forms) (107-109)		Tuberculosis (all forms) (13-22)	
	No.	Rate	No.	Rate	No.	Rate	No.	Rate	No.	Rate	No.	Rate
1910	995	86.7	593	51.7	535	46.6	634	55.3	841	73.3	1,243	108.4
1911	1,105	94.5	562	48.1	605	51.8	670	57.3	789	67.5	1,299	111.1
1912	1,111	93.3	679	57.0	561	47.1	639	53.7	645	54.2	1,174	98.6
1913	1,271	104.8	720	59.4	645	53.2	748	61.7	793	65.4	1,242	102.4
1914	1,258	101.9	871	70.6	665	53.9	764	61.9	713	57.8	1,246	101.0
1915	1,403	111.7	841	70.0	677	53.9	787	62.7	840	66.9	1,275	101.5
1916	1,411	110.4	952	74.5	746	58.4	757	59.2	820	64.2	1,248	97.7
1917	1,440	110.8	935	71.9	738	56.8	735	56.6	865	66.6	1,300	100.0
1918	1,653	125.1	994	75.2	811	61.4	795	60.2	1,953	147.8	1,341	101.5
1919	1,583	117.8	1,045	77.8	860	64.0	824	61.3	1,164	86.7	1,385	103.1
1920	1,815	133.0	1,123	82.3	925	67.8	844	61.8	1,281	93.8	1,346	98.6
1921	1,831	132.2	1,192	86.0	1,005	72.5	828	59.8	793	57.2	1,150	83.0
1922	1,948	138.6	1,281	91.1	1,131	80.4	832	59.2	903	64.2	1,104	78.5
1923	1,952	136.9	1,303	91.4	1,110	77.8	805	56.4	852	59.7	1,113	78.0
1924	2,236	154.6	1,394	96.4	1,117	77.2	906	62.6	839	58.0	1,087	75.1
1925	2,269	154.7	1,509	102.9	1,198	81.7	1,080	73.6	877	59.8	1,195	81.5
1926	2,495	167.7	1,626	109.3	1,181	79.4	1,036	69.6	975	65.6	1,127	75.8
1927	2,788	184.9	1,537	101.9	1,315	87.2	989	65.6	938	62.2	1,053	69.8
1928	3,030	198.3	1,718	112.4	1,388	90.8	1,098	71.8	986	64.5	1,055	69.0
1929	3,064	197.9	1,661	107.3	1,341	86.6	1,066	68.8	964	62.2	1,032	66.6
1930	3,347	213.3	1,764	112.4	1,490	95.0	1,183	75.4	994	63.4	921	58.7
1931	3,232	203.9	1,833	115.7	1,501	94.7	1,084	68.4	869	54.8	951	60.0
1932	3,535	220.9	1,800	112.5	1,494	93.4	1,268	79.2	861	53.8	847	52.9
1933	3,799	234.6	1,946	120.2	1,528	94.4	1,157	71.5	787	48.6	857	52.9
1934	4,010	244.1	2,058	125.3	1,545	94.1	1,196	72.8	858	52.2	741	45.1
1935	4,308	259.4	2,146	129.2	1,615	97.2	1,288	77.6	905	54.5	794	47.8
1936	4,589	273.7	2,273	135.6	1,699	101.3	1,218	72.6	1,276	76.1	793	47.3
1937	4,637	273.8	2,162	127.6	1,670	98.6	1,237	73.0	1,133	66.9	750	44.3
1938	4,711	275.6	2,307	134.9	1,782	104.2	1,145	67.0	1,100	64.3	692	40.5
1939	4,980	288.6	2,400	139.1	1,782	103.3	1,110	64.3	878	50.9	693	40.2
1940	5,859	336.3	2,515	144.4	1,841	105.7	1,239	71.1	827	47.5	665	38.2
1941	5,887	323.9	2,428	133.6	1,804	99.2	1,190	65.5	685	37.7	663	36.5
1942	6,186	326.5	2,477	130.7	2,017	106.5	1,174	62.0	880	46.4	634	33.5
1943	6,812	343.6	2,563	129.3	1,970	99.4	1,179	59.5	1,065	53.7	674	34.0
1944	6,607	332.6	2,585	130.1	1,989	100.1	1,079	54.3	941	47.4	653	32.9
1945	6,661	327.6	2,692	132.4	1,856	91.3	1,107	54.4	844	41.5	667	32.8
1946	7,037	343.2	2,776	135.4	1,936	94.4	981	47.8	784	38.2	702	34.2
1947	7,114	341.0	2,987	143.2	2,090	100.2	1,015	48.7	771	37.0	557	26.7

*Source: 1910 - 1933 place of occurrence figures from published reports of the National Office of Vital Statistics.

1934 - 1947 place of residence figures (except for 1936, which are by place of occurrence since residence figures are not available for that year) from Section of Public Health Statistics, Washington State Department of Health.

TABLE 15 (Cont.)

SUMMARY OF THE NUMBER OF DEATHS FROM LEADING CAUSES, WITH RATES PER 100,000 POPULATION, STATE OF WASHINGTON, 1910 - 1947*

Year	Accidental fall (186a)		Diabetes Mellitus (61)		Motor Vehicle Accidents (170)		Pre-maturity (159)		Suicides (all forms) (163-164)		Syphilis (all forms) (30)		Arterio-sclerosis (97)**	
	No.	Rate	No.	Rate	No.	Rate	No.	Rate	No.	Rate	No.	Rate	No.	Rate
1910	129	11.2	124	10.8	17	1.5	308	26.8	230	20.0	54	4.7		
1911	112	9.6	123	10.5	24	2.0	321	27.5	252	21.6	40	3.4		
1912	128	10.8	121	10.2	35	2.9	328	27.5	264	22.2	39	3.3		
1913	132	10.9	172	14.2	40	3.3	350	28.9	246	20.3	58	4.8		
1914	139	11.3	171	13.9	67	5.4	421	34.1	303	24.6	67	5.4		
1915	133	10.6	192	15.3	105	8.4	372	29.6	304	24.2	57	4.5		
1916	114	8.9	187	14.6	82	6.4	419	32.8	184	14.4	84	6.6		
1917	128	9.8	198	15.2	117	9.0	400	30.8	188	14.5	111	8.5		
1918	157	11.9	222	16.8	151	11.4	490	37.1	176	13.3	87	6.6		
1919	118	8.8	207	15.4	148	11.0	415	30.9	190	14.1	113	8.4		
1920	154	11.3	190	13.9	184	13.5	517	37.9	246	18.0	131	9.6		
1921	140	10.1	210	15.2	202	14.6	427	30.8	288	20.8	96	6.9		
1922	145	10.3	289	20.6	173	12.3	436	31.0	273	19.4	138	9.8		
1923	154	10.8	249	17.5	240	16.8	415	29.1	236	16.5	127	8.9		
1924	187	12.9	233	16.1	265	18.3	418	28.9	285	19.7	147	10.2		
1925	200	13.6	236	16.1	299	20.4	386	26.3	318	21.7	180	12.3		
1926	184	12.4	264	17.7	342	23.0	373	25.1	293	19.7	157	10.6		
1927	210	13.9	271	18.0	365	24.2	334	22.2	310	20.6	150	9.9		
1928	218	14.3	286	18.7	424	27.7	351	23.0	351	23.0	171	11.2		
1929	237	15.3	271	17.5	441	28.5	323	20.9	342	22.1	156	10.1		
1930	240	15.3	309	19.7	413	26.3	340	21.7	384	24.5	164	10.4	327	20.8
1931	254	16.0	315	19.9	462	29.2	304	19.2	411	25.9	176	11.1	306	19.3
1932	283	17.7	353	22.1	415	25.9	303	18.9	450	28.1	169	10.6	324	20.2
1933	301	18.6	354	21.9	448	27.7	274	16.9	380	23.5	148	9.1	338	20.9
1934	384	23.4	343	20.9	555	33.8	320	19.5	355	21.6	157	9.6	372	22.6
1935	397	23.9	379	22.8	572	34.4	330	19.9	356	21.4	159	9.6	346	20.8
1936	411	24.5	416	24.8	629	37.5	361	21.5	408	24.3	158	9.4	393	23.4
1937	382	22.6	362	22.6	539	31.8	321	19.0	404	23.8	193	11.4	377	22.2
1938	384	22.5	412	24.1	466	27.2	359	21.0	447	26.1	180	10.5	406	23.7
1939	390	22.6	440	25.5	477	27.6	335	19.4	348	20.2	163	9.4	449	26.0
1940	429	24.6	458	26.3	524	30.1	325	18.7	395	22.7	223	12.8	331	19.0
1941	397	21.8	438	24.1	693	38.1	423	23.3	354	19.5	225	12.4	227	15.2
1942	361	19.1	478	25.2	455	24.0	466	24.6	356	18.8	205	10.8	320	16.9
1943	460	23.2	495	25.0	372	18.8	499	25.2	284	14.3	210	10.6	484	24.4
1944	397	20.0	452	22.8	375	18.9	466	23.5	273	13.7	192	9.7	430	21.6
1945	391	19.2	463	22.8	537	26.4	549	27.0	290	14.3	175	8.6	431	21.2
1946	381	18.6	479	23.4	585	28.5	671	32.7	344	16.8	167	8.1	344	16.8
1947	399	19.1	482	23.1	531	25.4	574	27.5	361	17.3	154	7.4	321	15.4

* Source: 1910 - 1933 place of occurrence figures from published reports of the National Office of Vital Statistics.

1934 - 1947 place of residence figures (except for 1936, which are by place of occurrence since residence figures are not available for that year) from Section of Public Health Statistics, Washington State Department of Health.

** No figures for "arteriosclerosis" are available prior to 1930.

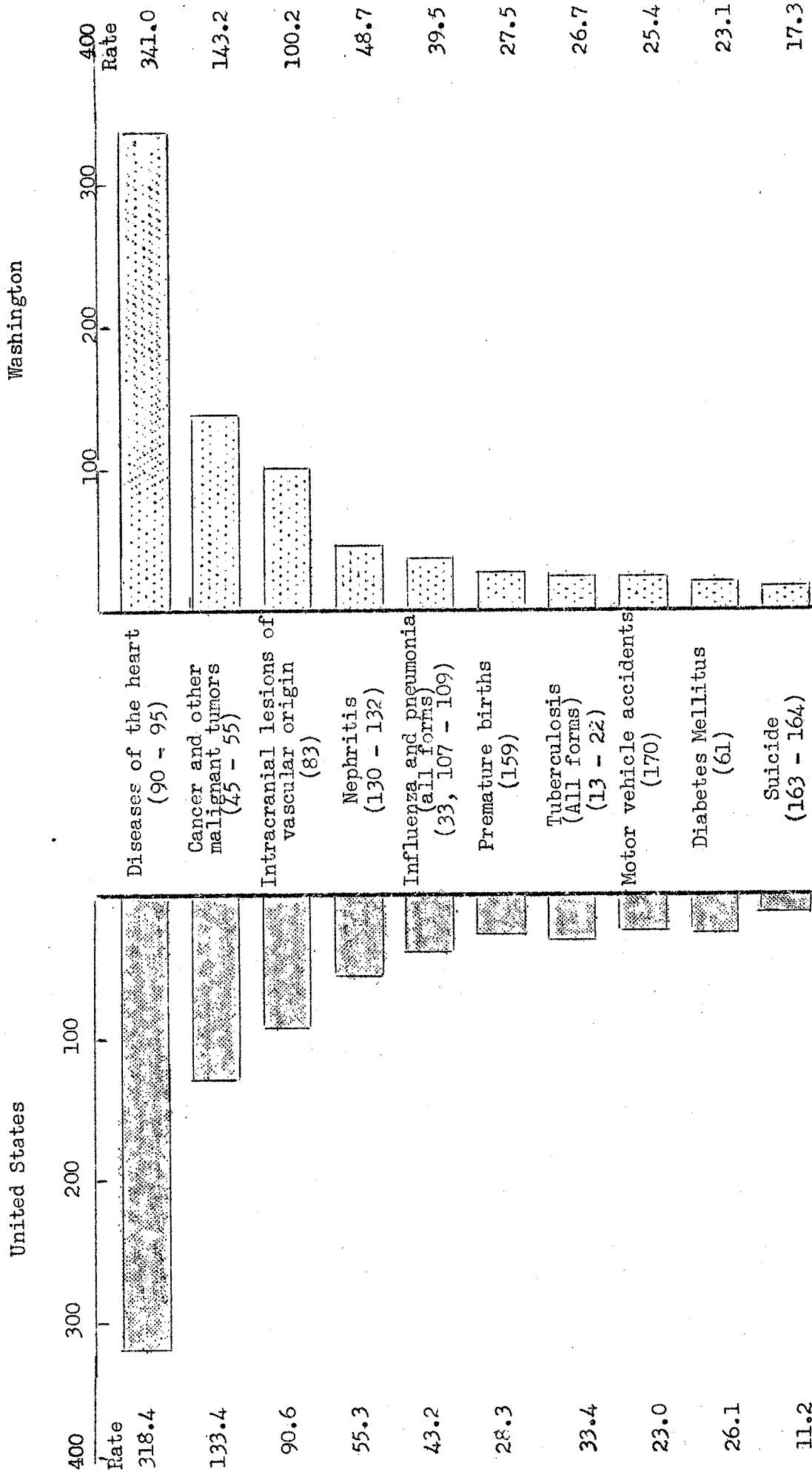


FIGURE 6 - DEATH RATES PER 100,000 ESTIMATED POPULATION FROM LEADING CAUSES IN THE UNITED STATES AND IN THE STATE OF WASHINGTON, BY RESIDENCE, 1947

TABLE 16

DEATHS FROM LEADING CAUSES AND ALL CAUSES IN THE STATE OF WASHINGTON,
BY SEX AND BY AGE GROUPS, ALLOCATED TO RESIDENCE OF DECEASED, 1947

Cause of Death	Sex	Total	Under 1 year	1-4 years	5-14 years	15-24 years	25-34 years	35-44 years	45-54 years	55-64 years	65-74 years	75 years and over	Unk. age
Diseases of the Heart	M	4550	4	0	4	13	29	165	475	1032	1396	1431	1
	F	2564	2	2	7	12	21	51	138	368	738	1224	1
	T	7114	6	2	11	25	50	216	613	1400	2134	2655	2
Cancer and other malignant tumors	M	1518	0	9	7	12	27	51	154	397	478	383	0
	F	1469	1	4	7	9	38	120	227	361	370	332	0
	T	2987	1	13	14	21	65	171	381	758	848	715	0
Cerebrovascular accidents	M	1087	3	1	1	2	5	15	81	186	347	446	0
	F	1003	1	0	0	0	6	13	67	168	318	429	1
	T	2090	4	1	1	2	11	28	148	354	665	875	1
Nephritis (all forms)	M	570	0	1	5	7	7	25	50	107	156	212	0
	F	445	0	1	5	8	8	21	36	65	122	179	0
	T	1015	0	2	10	15	15	46	86	172	278	391	0
Influenza & pneumonia (all forms)	M	502	78	11	4	3	9	18	33	70	100	175	1
	F	321	45	7	10	2	10	16	10	23	48	150	0
	T	823	123	18	14	5	19	34	43	93	148	325	1
Prematurity	M	330	330	0	0	0	0	0	0	0	0	0	0
	F	244	244	0	0	0	0	0	0	0	0	0	0
	T	574	574	0	0	0	0	0	0	0	0	0	0
Tuberculosis (all forms)	M	387	3	8	3	14	45	55	81	103	56	19	0
	F	170	1	4	4	17	52	35	15	14	18	10	0
	T	557	4	12	7	31	97	90	96	117	74	29	0
Motor Vehicle Accident	M	413	0	19	25	93	60	40	45	51	52	28	0
	F	118	0	5	2	25	5	21	17	23	11	9	0
	T	531	0	24	27	118	65	61	62	74	63	37	0
Diabetes Mellitus	M	189	0	1	2	3	6	6	17	41	62	51	0
	F	293	0	0	3	2	7	7	13	55	108	98	0
	T	482	0	1	5	5	13	13	30	96	170	149	0
Suicides (all forms)	M	282	0	0	2	16	31	51	52	60	48	22	0
	F	79	0	0	0	5	13	20	18	13	9	1	0
	T	361	0	0	2	21	44	71	70	73	57	23	0
Arterio-sclerosis	M	168	0	0	0	0	0	0	1	10	33	119	0
	F	153	0	0	0	0	0	0	0	5	28	120	0
	T	321	0	0	0	0	0	0	1	15	66	239	0
All other Causes	M	3132*	545	89*	91	119	154	257	323	504	493	551	6
	F	1776	373	62	52	62	112	125	133	179	254	424	0
	T	4908	918	151	143	181	266	382	456	683	747	975	6
All Causes	M	13128*	963	139	144	282	373	683	1312	2561	3226	3437	8
	F	8635	667	85	90	142	272	429	674	1274	2024	2976	2
	T	21763	1630	224	234	424	645	1112	1986	3835	5250	6413	10

*Includes one sex not stated

TABLE 17

DEATHS FROM LEADING CAUSES IN THE COUNTIES AND MAJOR CITIES OF THE STATE OF WASHINGTON, WITH RATES PER 100,000 ESTIMATED POPULATION, ALLOCATED TO RESIDENCE OF DECEASED, 1947

County or City	Diseases of the heart		Cancer & other mal. tumors		Cerebro-vascular accidents		Nephritis (all forms)		Influenza and pneumonia (all forms)		Pre-maturity		Tuberculosis (all forms)		Motor vehicle accidents		Diabetes mellitus		Suicide (all forms)		Arterio-sclerosis	
	No.	Rate	No.	Rate	No.	Rate	No.	Rate	No.	Rate	No.	Rate	No.	Rate	No.	Rate	No.	Rate	No.	Rate	No.	Rate
Adams	13	216.7	6	100.0	5	83.3	4	66.7	1	16.7	0	0.0	1	16.7	1	16.7	1	16.7	0	0.0	0	0.0
Asotin	30	294.1	16	156.9	7	68.6	7	68.6	6	58.8	0	0.0	2	19.6	1	9.8	4	39.2	2	19.6	1	9.8
Benton	47	134.7	16	45.8	13	37.2	4	11.5	5	14.3	8	22.9	1	2.9	5	14.3	1	2.9	3	8.6	2	5.7
Rural	38	191.0	13	65.3	12	60.3	4	20.1	5	25.1	5	25.1	1	5.0	3	15.1	1	5.0	3	15.1	1	5.0
Richland	9	59.6	3	19.9	1	6.6	0	0.0	0	0.0	3	19.9	0	0.0	2	13.2	0	0.0	0	0.0	1	6.6
Chelan	103	271.0	31	81.6	40	105.3	16	42.1	7	18.4	15	39.5	4	10.5	15	39.5	7	18.4	8	21.0	2	5.3
Rural	58	232.0	15	60.0	19	76.0	11	44.0	4	16.0	7	28.0	3	12.0	11	44.0	5	20.0	6	24.0	1	4.0
Wenatchee	45	346.2	16	123.1	21	161.5	5	38.5	3	23.1	8	61.5	1	7.7	4	30.8	2	15.4	2	15.4	1	7.7
Clallam	82	362.8	26	115.0	25	110.6	15	66.4	7	31.0	8	35.4	6	26.5	8	26.5	6	26.5	4	17.7	4	17.7
Rural	31	262.7	11	93.2	11	93.2	7	59.3	4	33.9	1	8.5	4	33.9	4	33.9	4	33.9	3	25.4	0	0.0
Port Angeles	51	472.2	15	138.9	14	129.6	8	74.1	3	27.8	7	64.8	2	18.5	4	37.0	2	18.5	1	9.2	0	0.0
Clark	232	331.4	93	132.8	58	82.8	36	51.4	30	42.8	24	34.3	10	14.3	20	28.6	22	31.4	9	12.8	5	7.1
Rural	134	304.5	49	111.4	29	65.9	20	45.4	17	38.6	11	25.0	8	18.2	11	25.0	14	31.8	8	18.2	3	6.8
Vancouver	98	376.9	44	169.2	29	111.5	16	61.5	13	50.0	13	50.0	2	7.7	9	34.6	8	30.8	1	3.8	2	7.7
Columbia	21	381.8	7	127.3	1	18.2	5	90.9	2	36.4	0	0.0	0	0.0	1	18.1	0	0.0	2	36.4	0	0.0
Cowlitz	123	242.4	56	110.3	39	76.8	18	35.5	8	15.8	15	29.6	10	19.7	13	25.6	3	5.9	3	5.9	1	2.0
Rural	87	261.6	36	108.3	27	81.2	13	39.1	6	18.0	6	18.0	7	21.0	8	24.1	1	3.0	2	6.0	1	3.0
Longview	36	205.7	20	114.3	12	68.6	5	28.6	2	11.4	9	51.4	3	17.1	5	28.6	2	11.4	1	5.7	0	0.0
Douglas	20	235.3	8	94.1	4	47.0	5	58.8	1	11.8	2	23.5	1	11.8	1	11.8	1	11.8	0	0.0	1	11.8
Ferry	3	69.8	8	186.0	2	46.5	1	23.2	0	0.0	0	0.0	0	0.0	0	0.0	0	0.0	3	69.8	0	0.0
Franklin	23	230.0	12	120.0	10	100.0	2	20.0	2	20.0	1	10.0	3	30.0	4	40.0	3	30.0	0	0.0	0	0.0
Garfield	10	344.8	6	206.9	3	103.4	1	34.5	1	34.5	0	0.0	0	0.0	0	0.0	0	0.0	0	0.0	1	34.5
Grant	25	206.6	14	115.7	9	74.4	3	24.8	4	33.0	6	49.6	2	16.5	5	41.3	1	8.3	3	24.8	2	16.5
Grays Harbor	176	330.2	88	165.1	61	114.4	29	54.4	20	37.5	18	33.8	17	31.9	12	22.5	17	31.9	14	26.3	3	5.6
Rural	65	309.5	23	109.5	18	85.7	9	42.8	8	38.1	7	33.3	4	19.0	4	19.0	8	38.1	3	14.3	1	4.8
Aberdeen	70	341.5	48	234.1	22	107.3	18	87.8	5	24.4	5	24.4	9	43.9	5	24.4	7	34.1	9	43.9	1	4.9
Hoquiam	41	347.4	17	144.1	21	178.0	2	16.9	7	59.3	6	50.8	4	33.9	3	25.4	2	16.9	2	16.9	1	8.5
Island	40	533.3	10	133.3	7	93.3	5	66.7	4	53.3	0	0.0	1	13.3	0	0.0	5	66.7	4	53.3	0	0.0
Jefferson	41	455.6	9	100.0	7	77.8	4	44.4	3	33.3	0	0.0	2	22.2	7	77.7	3	33.3	2	22.2	0	0.0
King	2404	365.3	1020	155.0	565	85.9	262	39.8	210	31.9	191	29.0	200	30.4	161	24.5	143	21.7	131	19.9	57	8.7
Rural	609	352.0	240	139.0	143	82.8	66	38.2	47	27.2	65	37.6	39	22.6	56	32.4	41	23.7	36	20.8	11	6.4
Renton	24	156.9	16	104.6	4	26.1	3	19.6	3	19.6	10	65.4	6	39.2	4	26.1	2	13.1	1	6.5	0	0.0
Seattle	1772	377.0	764	162.6	417	88.7	193	41.1	160	34.0	116	24.7	155	33.0	101	21.5	100	21.3	94	20.0	46	9.8

TABLE 17 (Cont.)

DEATHS FROM LEADING CAUSES IN THE COUNTIES AND MAJOR CITIES OF THE STATE OF WASHINGTON,
WITH RATES PER 100,000 ESTIMATED POPULATION, ALLOCATED TO RESIDENCE OF DECEASED, 1947

County or City	Diseases of the heart		Cancer & other mal- tumors		Cerebro- vascular accidents		Nephritis (all forms)		Influenza and pneumonia (all forms)		Pre- maturity		Tubercu- losis (all forms)		Motor vehicle accidents		Diabetes mellitus		Suicide (all forms)		Arterio- sclerosis	
	No.	Rate	No.	Rate	No.	Rate	No.	Rate	No.	Rate	No.	Rate	No.	Rate	No.	Rate	No.	Rate	No.	Rate	No.	Rate
Kitsap	163	202.7	89	110.7	64	79.6	31	38.6	19	23.6	20	24.9	11	13.7	7	8.7	14	17.4	10	12.4	5	6.2
Rural	111	244.5	54	118.9	48	105.7	23	50.7	15	33.0	12	26.4	8	17.6	4	8.8	10	22.0	5	11.0	5	11.0
Bremerton	52	148.6	35	100.0	16	45.7	8	22.8	4	11.4	8	22.8	3	8.6	3	8.6	4	11.4	5	14.3	0	0.0
Kittitas	48	206.4	24	103.2	28	120.4	7	30.1	5	21.5	4	17.2	4	17.2	3	12.9	8	34.4	0	0.0	3	12.9
Klickitat	18	163.6	13	118.2	6	54.5	7	63.6	5	45.4	7	63.6	1	9.1	1	9.1	2	18.2	3	27.3	0	0.0
Lewis	122	289.1	53	125.6	55	130.3	22	52.1	15	35.5	13	30.8	7	16.6	12	28.4	16	37.9	2	4.7	16	37.9
Lincoln	34	309.1	16	145.4	9	81.8	13	118.2	12	109.1	8	72.7	0	0.0	5	45.4	6	54.5	2	18.2	5	45.4
Mason	37	291.3	19	149.6	12	94.5	6	47.2	4	31.5	5	39.4	1	7.9	7	55.1	1	7.9	1	7.9	2	15.7
Okanogan	48	176.0	19	69.7	14	51.3	10	36.7	5	18.3	2	7.3	8	29.3	15	55.0	3	11.0	2	7.3	3	11.0
Pacific	47	303.2	26	167.7	14	90.3	11	71.0	6	38.7	3	19.4	3	19.4	7	45.2	4	25.8	0	0.0	3	19.4
Pend Oreille	14	186.7	9	120.0	9	120.0	2	26.7	3	40.0	5	66.7	0	0.0	0	0.0	2	26.7	0	0.0	4	53.3
Pierce	752	367.4	349	170.5	183	89.4	115	56.2	46	22.5	59	28.8	56	27.4	55	26.9	56	27.4	40	19.5	26	12.7
Rural	209	356.0	103	175.5	47	80.1	34	57.9	15	25.6	23	39.2	19	32.4	14	23.8	14	23.8	12	20.4	5	8.5
Puyallup	55	550.0	12	120.0	16	160.0	6	60.0	2	20.0	2	20.0	0	0.0	3	30.0	5	50.0	1	10.0	1	10.0
Tacoma	488	358.8	234	172.0	120	88.2	75	55.1	29	21.3	34	25.0	37	27.2	38	27.9	37	27.2	27	19.8	20	14.7
San Juan	14	264.2	4	75.5	5	94.3	2	37.7	0	0.0	0	0.0	0	0.0	0	0.0	1	18.9	0	0.0	1	18.9
Skagit	132	298.6	49	110.8	49	110.8	14	31.7	15	33.9	11	24.9	6	13.6	11	24.9	5	11.3	9	20.4	5	11.3
Skamania	19	422.2	7	155.6	5	111.1	1	22.2	2	44.4	1	22.2	0	0.0	2	44.4	0	0.0	1	22.2	0	0.0
Snohomish	371	390.1	148	155.6	157	165.1	56	58.9	35	36.8	23	24.2	23	24.2	32	33.6	26	27.3	14	14.7	17	17.9
Rural	228	379.4	92	153.1	104	173.0	30	49.9	24	39.9	8	13.3	11	18.3	23	38.3	16	26.6	9	15.0	13	21.6
Everett	143	408.6	56	160.0	53	151.4	26	74.3	11	31.4	15	42.8	12	34.3	9	25.7	10	28.6	5	14.3	4	11.4
Spokane	691	347.8	291	146.4	227	114.2	131	65.9	95	47.8	60	30.2	32	16.1	46	23.2	42	21.1	39	19.6	52	26.2
Rural	118	228.2	68	131.5	45	87.0	27	52.2	24	46.4	6	11.6	5	9.7	5	9.7	9	17.4	5	9.7	12	23.2
Spokane	573	389.8	223	151.7	182	123.8	104	70.7	71	48.3	54	36.7	27	18.4	41	27.9	33	22.4	34	23.1	40	27.2
Stevens	62	333.3	20	107.5	24	129.0	14	75.3	7	37.6	4	21.5	5	26.9	2	10.8	4	21.5	4	21.5	1	5.4
Thurston	135	346.2	59	151.3	40	102.6	18	46.2	10	25.6	11	28.2	4	10.2	9	23.1	4	10.2	3	7.7	2	5.1
Rural	64	278.3	28	121.7	22	95.6	7	30.4	6	26.1	3	13.0	1	4.3	6	26.1	3	13.0	2	8.7	1	4.3
Olympia	71	443.8	31	193.8	18	112.5	11	68.8	4	25.0	8	50.0	3	18.8	3	18.8	1	6.2	1	6.2	1	6.2
Wahkiakum	13	325.0	5	125.0	3	75.0	2	50.0	1	25.0	0	0.0	0	0.0	0	0.0	5	125.0	1	25.0	0	0.0
Walla Walla	95	305.5	36	115.8	43	138.3	29	93.2	7	22.5	2	6.4	8	25.7	8	25.7	15	48.2	6	19.3	6	19.3
Rural	27	314.0	10	116.3	11	127.9	7	81.4	2	23.2	1	11.6	3	34.9	2	23.2	5	58.1	1	11.6	3	34.9
Walla Walla	68	302.2	26	115.6	32	142.2	22	97.8	5	22.2	1	4.4	5	22.2	6	26.7	10	44.4	5	22.2	3	13.3

TABLE (Cont.)

DEATHS FROM LEADING CAUSES IN THE COUNTIES AND MAJOR CITIES OF THE STATE OF WASHINGTON,
WITH RATES PER 100,000 ESTIMATED POPULATION, ALLOCATED TO RESIDENCE OF DECEASED, 1947

County or City	Diseases of the heart		Cancer & other mal. tumors		Cerebro- vascular accidents		Nephritis (all forms)		Influenza and pneumonia (all forms)		Pre- maturity		Tubercu- losis (all forms)		Motor vehicle accidents		Diabetes mellitus		Suicide (all forms)		Arterio- sclerosis	
	No.	Rate	No.	Rate	No.	Rate	No.	Rate	No.	Rate	No.	Rate	No.	Rate	No.	Rate	No.	Rate	No.	Rate	No.	Rate
Whatcom	230	371.0	120	193.5	90	145.2	26	41.9	15	24.2	14	22.6	14	22.6	13	21.0	14	22.6	12	19.4	14	22.6
Rural	91	308.5	46	155.9	31	105.1	12	40.7	6	20.3	5	16.9	6	20.3	6	20.3	4	13.6	6	20.3	9	30.5
Bellingham	139	427.7	74	227.7	59	181.5	14	43.1	9	27.7	9	27.7	8	24.6	7	21.5	10	30.8	6	18.5	5	15.4
Whitman	81	279.3	38	131.0	20	69.0	11	37.9	7	24.1	4	13.8	1	3.4	4	13.8	3	10.3	6	20.7	2	6.9
Yakima	319	277.2	127	110.4	101	87.8	47	40.8	58	50.4	30	26.1	32	27.8	38	33.0	24	20.8	18	15.6	19	16.5
Rural	179	223.6	66	82.4	47	53.7	23	28.7	42	52.4	20	25.0	26	32.5	28	35.0	12	15.0	11	13.7	7	8.7
Yakima	140	400.0	61	174.3	54	154.3	24	68.6	16	45.7	10	28.6	6	17.1	10	23.6	12	34.3	7	20.0	12	34.3
W. St. Cus. Sch.	3		3		1		0		1		0		0		0		0		0		0	
E. St. Cus. Sch.	2		0		0		0		1		0		8		0		0		0		0	
American Lake	10		4		3		5		5		0		8		0		1		0		0	
West. St. Hosp.	112		12		22		5		76		0		20		0		1		2		21	
North. St. Hosp.	57		15		21		8		35		0		34		0		1		0		22	
East. St. Hosp.	91		6		30		5		22		0		11		0		4		1		17	
URBAN TOTAL	3875	362.5	1695	158.6	1091	102.1	540	50.5	347	32.5	318	29.8	283	26.5	257	24.0	247	23.1	202	18.9	138	12.9
RURAL TOTAL	3239	318.5	292	127.1	999	98.2	475	46.7	476	46.8	256	25.2	274	26.9	274	26.9	255	25.1	159	15.6	183	18.0
GRAND TOTAL	7114	341.0	2987	143.2	2090	100.2	1015	48.7	823	39.5	574	27.5	557	26.7	531	25.4	493	23.1	361	17.3	321	15.4

TABLE 18

DEATHS IN THE COUNTIES AND MAJOR CITIES OF THE STATE OF WASHINGTON, BY PERSON IN ATTENDANCE, ALLOCATED TO RESIDENCE OF DECEDENT, 1947

County or City	Physician	Coroner	Osteopath	Chiropractor	Sanipractor	Other	Totals
Adams	49	3					52
Asotin	89	12	1				102
Benton	141	5	1	1		2	150
Rural	108	4	1	1		2	116
Richland	33	1					34
Chelan	310	33					343
Rural	176	23					199
Wenatchee	134	10					144
Clallam	237	1	6				244
Rural	103	1	5				109
Port Angeles	134		1				135
Clark	640	52	2	1			695
Rural	364	35	2				401
Vancouver	276	17		1			294
Columbia	45	2					47
Cowlitz	383	17	3				403
Rural	255	13	3				271
Longview	128	4					132
Douglas	50	3					53
Ferry	28	2					30
Franklin	77	8				1	86
Garfield	29	1					30
Grant	101	18					119
Grays Harbor	520	87					607
Rural	177	29					206
Aberdeen	215	49					264
Hoquiam	128	9					137
Island	76	11				1	88
Jefferson	88	5	1				94
King	6428	224	99	2	5	4	6762
Rural	1627	64	30	1	2	2	1726
Renton	79	3	1				83
Seattle	4712	157	68	1	3	2	4943
Kitsap	548	50	1				599
Rural	359	30					389
Bremerton	189	20	1				210
Kittitas	162	7	3				172
Klickitat	81	13					94
Lewis	416	15			1	1	433
Lincoln	117	15	6				138
Mason	112	7					119
Okanogan	160	27	8				195
F--	147	9	1				157
Pend Oreille	60	3					63
Pierce	2041	166	11		1		2219
Rural	572	55	3				630
Puyallup	100	12	3				115
Tacoma	1369	99	5		1		1474

TABLE 18 (Cont.)

DEATHS IN THE COUNTIES AND MAJOR CITIES OF THE STATE OF WASHINGTON, BY PERSON IN ATTENDANCE, ALLOCATED TO RESIDENCE OF DECEDENT, 1947

County or City	Physician	Coroner	Osteopath	Chiropractor	Sani-practor	Other	Totals
San Juan	32	4					36
Skagit	335	28	4			6	423
Skamania	35	7					42
Snohomish	1063	62	8				1133
Rural	641	36	6				683
Everett	422	26	2				450
Spokane	1846	304	6			2	2158
Rural	357	54					411
Spokane	1489	250	6			2	1747
Stevens	188	3	2		1	1	195
Thurston	353	28	3			1	385
Rural	178	17	1				196
Olympia	175	11	2			1	189
Wahkiakum	36	2					38
Walla Walla	351	10	1				342
Rural	88	3					91
Walla Walla	243	7	1				251
Whatcom	657	60	4				721
Rural	271	31	1				303
Bellingham	386	29	3				418
Whitman	246	4	2			1	253
Yakima	904	91	49	1	2	19	1066
Rural	529	63	24	1	2	9	628
Yakima	375	28	25			10	438
West. St. C. Sch.	16	1					17
East. St. C. Sch.	16						16
American Lake	47						47
West. St. Hosp.	326	5					331
North. St. Hosp.	247	1					248
East. St. Hosp.	217	1					218
URBAN TOTAL	10597	732	118	2	4	15	11468
RURAL TOTAL	9484	674	104	3	6	24	10295
GRAND TOTAL	20081	1406	222	5	10	39	21763
Percent of Total	92.3	6.5	1.0	*	*	0.2	100.0

* Less than .05 percent

TABLE 19

DEATHS IN THE COUNTIES AND MAJOR CITIES OF THE STATE OF WASHINGTON, BY PLACE OF DEATH, ALLOCATED TO RESIDENCE OF DECEDENT, 1947

County or City	General Hospital	Mater-nity Home	Nursing Home	Home	Mental Institution	Special Institution	Other	Total
Adams	26		2	20			4	52
Asotin	42		9	41			10	102
Benton	76		1	58		1	14	150
Rural	51		1	50		1	13	116
Richland	25			8			1	34
Chelan	165		36	112		1	29	343
Rural	84		18	75		1	21	199
Wenatchee	81		18	37			8	144
Clallam	128	2	17	73		1	23	244
Rural	45	2	4	41			17	109
Port Angeles	83		13	32		1	6	135
Clark	410		8	223	5		49	695
Rural	218		4	145	5		29	401
Vancouver	192		4	78			20	294
Columbia	24		2	17			4	47
Cowlitz	205		13	147	4	1	33	403
Rural	129		9	107	3	1	22	271
Longview	76		4	40	1		11	132
Douglas	24		5	21			3	53
Ferry	12	1		15			2	30
Franklin	48	1	1	24			12	86
Garfield	13		2	13			2	30
Grant	66			40			13	119
Grays Harbor	307	1	42	204		1	52	607
Rural	92	1	11	83		1	18	206
Aberdeen	143		18	76			27	264
Hoquiam	72		13	45			7	137
Island	15	1	17	53			2	88
Jefferson	56		3	23			12	94
King	3555	3	219	2504	44	39	398	6762
Rural	802	2	63	716	10	20	113	1726
Renton	60		3	25			5	93
Seattle	2693	1	153	1763	34	19	280	4943
Kitsap	319	1	7	230	1	3	38	599
Rural	184		6	170		2	27	389
Bremerton	135	1	1	60	1	1	11	210
Kittitas	106		2	54		2	8	172
Klickitat	52		2	32			8	94
Lewis	178		42	175	11		27	433
Lincoln	58	6	11	52		1	10	138
Mason	62		3	45			9	119
Okanogan	99		4	72			20	195
Waukegan	86		9	47		1	14	157
Pend Oreille	36	1		24			2	63
Pierce	1203	1	102	744	21	13	132	2219
Rural	317	1	15	238	13	3	43	630
Puyallup	45		9	50		1	9	115
Tacoma	843		78	456	8	9	80	1474

TABLE 19 (Cont.)

DEATHS IN THE COUNTIES AND MAJOR CITIES OF THE STATE OF WASHINGTON, BY PLACE OF DEATH, ALLOCATED TO RESIDENCE OF DECEDENT, 1947

County or City	General Hospital	Mater-nity Home	Nursing Home	Home	Mental Institution	Special Institution	Other	Total
San Juan	12		2	20		1	1	36
Skagit	211		31	156	1	1	23	423
Skamania	12		14	11			5	42
Snohomish	575		31	461	5	5	56	1133
Rural	306		26	307	1	5	38	683
Everett	269		5	154	4		18	450
Spokane	1032	36	211	753		5	121	2158
Rural	178	10	31	174			18	411
Spokane	854	26	180	579		5	103	1747
Stevens	118		3	67			7	195
Thurston	194		12	159			20	385
Rural	97		4	81			14	196
Olympia	97		8	78			6	189
Wahkiakum	20		1	13			4	38
Walla Walla	193		10	114	1	3	21	342
Rural	47		6	35			3	91
Walla Walla	146		4	79	1	3	18	251
Whatcom	364		52	276			29	721
Rural	132		16	143			12	303
Bellingham	232		36	133			17	418
Whitman	131		14	92		2	14	253
Yakima	522	4	43	429	1	6	61	1066
Rural	289	4	21	271		3	40	628
Yakima	233		22	158	1	3	21	438
West. St. Cus. Sch.					17			17
East. St. Cus. Sch.					16			16
American Lake					47			47
West. State Hosp.					331			331
North. State Hosp.					248			248
East. State Hosp.					218			218
URBAN TOTAL	6280	28	569	3851	50	42	648	11468
RURAL TOTAL	4478	30	414	3763	921	45	644	10295
GRAND TOTAL	10758	58	983	7614	971	87	1292	21763
Percent of Total	49.4	0.3	4.5	35.0	4.5	0.4	5.9	100.0

TABLE 20

NUMBER OF DEATHS FROM ACCIDENTAL CAUSES IN THE COUNTIES AND MAJOR CITIES OF THE STATE OF WASHINGTON, BY AGE GROUPS, ALLOCATED TO RESIDENCE OF DECEDENT, 1947

County or City	Under 5 years	5-14 years	15-24 years	25-34 years	35-44 years	45-54 years	55-64 years	65-74 years	75-84 years	85 & over	Un-known	Total
Adams	1				1	2	2		1	1		8
Asotin		1		1	3		1					6
Benton	3		2	3	2	1	1	2	1	2		17
Rural	2		2	2	1	1	1	2	1	2		14
Richland	1			1	1							3
Chelan	2	4	5	2	4	7	6	4	6	1		41
Rural	1	4	3	2	3	5	4	3	1	1		27
Wenatchee	1		2		1	2	2	1	5			14
Clallam	2	1	5	7	3	2	2	1		1		24
Rural	1	1	4	3	1	1	2			1		14
Port Angeles	1		1	4	2	1		1				10
Clark	8	8	8	11	5	3	11	7	3	3		67
Rural	5	5	6	7	2		5	5	1	2		38
Vancouver	3	3	2	4	3	3	6	2	2	1		29
Columbia					1				2			3
Cowlitz	4	3	7	8	4	3	6	6	1	2		44
Rural	3	2	5	5	3	1	4	5	1	2		31
Longview	1	1	2	3	1	2	2	1				13
Douglas	1	1								1		3
Ferry			1	1								2
Franklin	2		4	1	1		1	1	1			11
Garfield				1								1
Grant	2		3	2	3	1	2	2	1			16
Grays Harbor	6	2	6	7	4	9	8	6	5	3		56
Rural	2	1	2	6	2	3	1	2	3	1		23
Aberdeen	2	1	3		1	4	5	3	2	1		22
Hoquiam	2		1	1	1	2	2	1		1		11
Island	3					2	1					6
Jefferson	2	2	2	2	1		3	1	1	1		15
King	42	21	37	37	63	62	66	64	66	30		488
Rural	23	11	10	10	22	22	14	14	19	4		149
Renton			2	1			1		2			6
Seattle	19	10	25	26	41	40	51	50	45	26		333
Kitsap	9	3	4	6	5	8	4	7	5	2		53
Rural	6	2	3	4	3	4	2	5	2	2		33
Bremerton	3	1	1	2	2	4	2	2	3			20
Kittitas	1		1		1	2	5	1	1	1		13
Klickitat	1	1	1	1	4	1					1	10
Lewis	5		5	4	2	4	6	11	5			42
Lincoln			2	3	3	1	1	1	1			12
Mason			4		1	2	1	3	1	1		13
Okanogan	5	3	8	4	1	6	3	1	2			33
acific			3	5	2		3	1		1	1	16
Pend Oreille			2	1		1		2				6
Pierce	10	9	23	17	19	17	23	16	20	14		168
Rural	6	2	13	7	4	3	7	5	1	2		50
Puyallup			2		2		1	1	2	1		9
Tacoma	4	7	8	10	13	14	15	10	17	11		109

TABLE 20 (Cont.)

NUMBER OF DEATHS FROM ACCIDENTAL CAUSES IN THE COUNTIES AND MAJOR CITIES OF THE STATE OF WASHINGTON, BY AGE GROUPS, ALLOCATED TO RESIDENCE OF DECEDENT, 1947

County or City	Under 5 years	5-14 years	15-24 years	25-34 years	35-44 years	45-54 years	55-64 years	65-74 years	75-84 years	85 & over	Un-known	Total
San Juan		1										1
Skagit	4	2	2	3	1	6	5	3	3	1		30
Skamania		1	1			2						4
Snohomish	8	5	16	9	14	5	11	14	12	5		99
Rural	4	4	9	6	10	2	7	9	7	3		61
Everett	4	1	7	3	4	3	4	5	5	2		38
Spokane	15	6	15	17	24	16	20	17	25	16		171
Rural	3	3	3	3	5	2	2	2	4			27
Spokane	12	3	12	14	19	14	18	15	21	16		144
Stevens	5	1	5	4	2	3	1	4	1			25
Thurston	3		3	5	4	1	1	2	5	1		25
Rural	1		3	4	3	1	1	2	1			16
Olympia	2			1	1				4	1		9
Wahkiakum					2		1					3
Walla Walla	4		1	2	3	2	3	7	3	4		29
Rural	2				1	1		3				7
Walla Walla	2		1	2	2	1	3	4	3	4		22
Yhatcom	2	2	9	4	1	5	6	6	3	3		41
Rural	2	1	4	3		2	5	3	1			21
Bellingham		1	5	1	1	3	1	3	2	3		20
Whitman	2	2	5		6	1	3	3	4			26
Yakima	13	12	17	12	8	8	6	14	7	4		101
Rural	10	10	13	9	4	7	2	10	2	2		69
Yakima	3	2	4	3	4	1	4	4	5	2		32
American Lake									1			1
West.St.Hosp.					1	1		1	1	2		6
North.St.Hosp.								1	4			5
East.St. Hosp.							1	2	2	1		6
URBAN TOTAL	60	30	78	76	99	94	117	103	118	69		844
RURAL TOTAL	105	61	129	104	100	90	97	108	76	32	2	904
GRAND TOTAL	165	91	207	180	199	184	214	211	194	101	2	1748
Percent of total	9.4	5.2	11.8	10.3	11.4	10.5	12.2	12.1	11.1	5.8	0.1	100.0

TABLE 21

NUMBER OF DEATHS FROM ACCIDENTAL CAUSES BY TYPE AND PLACE OF ACCIDENT, WITH PERCENTAGES OF THE TOTAL OF ACCIDENTAL DEATHS: STATE OF WASHINGTON RESIDENTS, 1947

Cause of Accidental Death	Code No.	Place of Accident					Totals
		Occupation	Home	Public Place	Farm	Unknown and not Stated	
Railway Accidents	169	17		20			37
Motor vehicle accidents	170	31	3	496	1		531
Automobile and train	170a	2		9			11
Auto accidents (except 170a)	170c	29	3	468	1		501
Motorcycle accidents	170d			19			19
Other road-transport accidents	171b	2					2
Water-transport accidents	172	9		23			32
Air-transport accidents	173	13		44			57
Accidents in mines and quarries	174	6					6
Agricultural and forestry acc.	175	111		4	2	1	118
Agricultural machinery	175a	15		1	2		18
Injury by animals in agriculture	175b	5					5
Other agricultural accidents	175c	12		1			13
Forestry machinery	175d	7		1			8
Other forestry accidents	175e	72		1		1	74
All other machinery accidents	176	16	1	1	1	1	20
Food poisoning	177		6			2	8
Absorption of poisonous gas	178	5	41	5		3	54
Illuminating gas	178a	1	27	1			29
Motor vehicle exhaust gas	178b	1	3	2		3	9
Other carbon monoxide gas	178c		6	2			8
Other poisonous gases	178x	3	5				8
Acute poisoning by solids or liquids	179	1	18	2		6	27
Arsenic and compounds	179a		1				1
Barbituric acids and derivatives	179b		4			3	7

TABLE 21 (Cont.)

NUMBER OF DEATHS FROM ACCIDENTAL CAUSES BY TYPE AND PLACE OF ACCIDENT, WITH PERCENTAGES OF THE TOTAL OF ACCIDENTAL DEATHS: STATE OF WASHINGTON RESIDENTS, 1947

Cause of Accidental Death	Code No.	Place of Accident					Total
		Occupation	Home	Public Place	Farm	Unknown and not Stated	
Nux vomica and strychnine	179e		4				4
Menthanol and other alcohols	1790					1	1
Other and unspecified substances	179x	1	9	2		2	14
Conflagration	180	2	57	6			65
Accidental burns	181	5	29	2		2	38
Mechanical suffocation	182	3	40			1	44
Drowning	183	7	7	114	3	3	134
Injury by firearms	184		12	13	1	1	27
Injury by cutting or piercing instruments	185	2	3				5
Injury by fall	186a	27	264	86	4	18	399
Injury by crushing	186b	6	4	2			12
Cataclysm	187			1			1
Injury by animal	188	2	1				3
Excessive cold	190		1	2		2	5
Excessive heat	191					1	1
Electric currents (except lightning)	193	11	1	3			15
Poisoning by venomous animals	194					2	2
Other accidents	195	19	27	6	2	51	105
Obstruction by ingested objects	195d		17			5	22
Other and unspecified accidents	195e	19	10	6	2	46	83
All accidental deaths		295	515	830	14	94	1748
Percent of total		16.9	29.5	47.5	0.8	5.4	100.0

TABLE 22

DEATHS OF INFANTS UNDER ONE YEAR OF AGE IN THE COUNTIES AND MAJOR CITIES OF THE STATE OF WASHINGTON, WITH RATES PER 1,000 LIVE BIRTHS, ALLOCATED TO RESIDENCE OF MOTHER AND BY PLACE OF OCCURRENCE, 1947

County or City	Residence		Occurrence	
	No.	Rate	No.	Rate
Adams	6	51.3	3	25.2
Asotin	5	24.3	2	22.7
Benton	22	24.5	8	14.1
Rural	12	26.8	0	0.0
Richland	10	22.2	8	15.2
Chelan	38	31.8	35	25.5
Rural	22	28.9	7	39.5
Wenatchee	16	36.8	28	23.4
Clallam	25	37.0	25	38.6
Rural	6	18.8	3	62.5
Port Angeles	19	53.4	22	36.7
Clark	69	29.5	70	30.5
Rural	39	24.0	9	71.4
Vancouver	30	42.0	61	28.2
Columbia	3	23.4	3	23.6
Cowlitz	39	27.7	45	28.0
Rural	19	24.5	4	87.0
Longview	20	31.6	41	26.3
Douglas	3	14.4	2	#
Ferry	0	0.0	0	0.0
Franklin	8	24.0	13	21.8
Garfield	4	54.8	1	83.3
Grant	16	33.2	9	35.3
Grays Harbor	49	34.3	44	31.2
Rural	25	44.6	10	67.6
Aberdeen	15	26.5	33	26.1
Hoquiam	9	30.0	1	#
Island	4	19.8	4	14.4
Jefferson	5	20.3	5	22.8
King	474	26.0	499	26.4
Rural	170	26.6	37	26.0
Renton	20	29.0	41	33.9
Seattle	284	25.4	421	25.8
Kitsap	77	31.2	67	28.7
Rural	43	36.0	10	#
Bremerton	34	26.7	57	24.9
Kittitas	12	21.2	11	18.8
Klickitat	11	39.4	10	50.5
Lewis	37	34.1	40	37.3
Lincoln	15	58.6	5	55.6
Mason	8	20.7	8	23.0
Okanogan	16	20.2	22	24.0
Pacific	13	35.7	6	20.5
Pend Oreille	8	45.2	9	41.9
Pierce	163*	27.7	174	26.8
Rural	66*	34.8	20	32.1
Puyallup	2	8.4	6	13.6
Tacoma	95	25.3	148	27.3

TABLE 22 (Cont.)

DEATHS OF INFANTS UNDER ONE YEAR OF AGE IN THE COUNTIES AND MAJOR CITIES OF THE STATE OF WASHINGTON, WITH RATES PER 1,000 LIVE BIRTHS, ALLOCATED TO RESIDENCE OF MOTHER AND BY PLACE OF OCCURRENCE, 1947

County or City	Residence		Occurrence	
	No.	Rate	No.	Rate
San Juan	4	61.5	0	0.0
Skagit	27	25.3	29	27.1
Skamania	1	10.8	0	0.0
Snohomish	71	27.4	64	27.1
Rural	33	21.5	12	23.6
Everett	38	35.8	52	28.0
Spokane	160	30.9	195	32.7
Rural	29	24.9	8	51.9
Spokane	131	32.6	187	32.2
Stevens	7	16.8	7	17.4
Thurston	29	26.4	26	26.2
Rural	13	18.9	4	#
Olympia	16	39.0	22	22.8
Wahkiakum	3	33.0	0	0.0
Walla Walla	15	16.9	20	16.2
Rural	4	13.8	1	#
Walla Walla	11	18.4	19	10.9
Whatcom	45	26.7	45	25.8
Rural	19	24.6	7	#
Bellingham	26	28.6	38	22.5
Whitman	27	34.9	20	31.5
Yakima	111	29.4	114	29.1
Rural	85	34.2	51	41.1
Yakima	26	20.0	63	23.6
URBAN TOTAL	802	27.8	1248	26.5
RURAL TOTAL	328*	28.2	392	32.0
GRAND TOTAL	1630*	28.0	1640	27.6

The number of births too small to compute a reliable rate.

* Includes 2 deaths in Western State Custodial School.

TABLE 23

DEATHS OF INFANTS UNDER ONE YEAR OF AGE IN THE COUNTIES AND MAJOR CITIES OF THE STATE OF WASHINGTON FOR FIVE YEARS WITH TOTALS AND RATES PER 1,000 LIVEBIRTHS, ALLOCATED TO RESIDENCE OF MOTHER, 1943 - 1947

County or City	1943	1944	1945	1946	1947	Total	5 year rate
Adams	4	4	7	3	6	24	40.9
Asotin	2	2	4	4	5	17	23.4
Benton	9	19	21	29	22	100	34.0
Chelan	29	23	28	34	38	152	37.0
Rural	16	15	19	18	22	90	34.2
Wenatchee	13	8	9	16	16	62	42.1
Clallam	16	19	12	13	25	85	30.6
Rural	7	9	8	4	6	34	26.5
Port Angeles	9	10	4	9	19	51	34.1
Clark	78	77	73	71	69	368	33.2
Rural	55	48	47	42	39	231	29.8
Vancouver	23	29	26	29	30	137	41.1
Columbia	1	2	2	2	3	10	21.0
Cowlitz	32	27	32	32	39	162	30.4
Rural	19	12	13	22	19	85	26.7
Longview	13	15	19	10	20	77	36.0
Douglas	4	4	2	6	3	19	23.7
Ferry	3	4	0	2	0	9	23.6
Franklin	9	17	23	16	8	73	54.7
Garfield	1	2	2	2	4	11	38.2
Grant	8	1	6	11	16	42	28.2
Grays Harbor	34	37	40	50	49	210	39.2
Rural	18	17	20	21	25	101	46.3
Aberdeen	12	13	10	19	15	69	33.6
Hoquiam	4	7	10	10	9	40	35.8
Island	3	5	1	7	4	20	22.9
Jefferson	7	4	7	9	5	32	26.5
King	451	408	426	505	474	2264	29.4
Rural	173	164	147	197	190	871	31.3
Seattle	278	244	279	308	284	1393	28.3
Kitsap	90	71	96	93	77	427	30.9
Rural	50	37	42	46	43	218	30.0
Bremerton	40	34	54	47	34	209	32.0
Kittitas	11	11	21	26	12	81	38.1
Klickitat	6	7	10	4	11	38	36.6
Lewis	25	21	27	27	37	137	31.3
Lincoln	10	5	4	10	15	44	41.9
Mason	18	8	7	6	8	47	30.3
Okanogan	28	27	17	27	16	115	38.9
Pacific	10	14	7	8	13	52	35.3
Pend Oreille	7	8	4	3	8	30	45.3
Pierce	157	152	179	168	163	819	31.0
Rural	58	60	67*	63	68*	316	32.2
Tacoma	99	92	112	105	95	503	30.3
San Juan	0	1	1	0	4	6	27.5
Skagit	33	31	25	44	27	160	38.2

TABLE 23 (Cont.)

DEATHS OF INFANTS UNDER ONE YEAR OF AGE IN THE COUNTIES AND MAJOR CITIES OF THE STATE OF WASHINGTON FOR FIVE YEARS WITH TOTALS AND RATES PER 1,000 LIVEBIRTHS, ALLOCATED TO RESIDENCE OF MOTHER, 1943 - 1947

County or City	1943	1944	1945	1946	1947	Total	5 year rate
Skamania	3	0	1	2	1	7	21.5
Snohomish	66	56	54	73	71	320	30.2
Rural	44	31	30	48	33	186	29.5
Everett	22	25	24	25	38	134	31.2
Spokane	120	113	123	153	160	669	31.7
Rural	21	24	20	36	29	130	27.8
Spokane	99	89	103	117	131	539	32.8
Stevens	14	17	14	11	7	63	35.3
Thurston	36	22	20	32	29	139	28.9
Rural	13	10	7	11	13	54	19.8
Olympia	23	12	13	21	16	85	40.9
Wahkiakum	2	5	2	8	3	20	56.3
Walla Walla	19	26	24	29	15	113	29.6
Rural	5	2	9	10	4	30	23.7
Walla Walla	14	24	15	19	11	83	32.5
Whatcom	39	43	38	53	45	218	32.3
Rural	20	18	9	25	19	91	30.1
Bellingham	19	25	29	28	26	127	34.1
Whitman	18	20	16	22	27	103	37.7
Yakima	131	181	147	128	111	698	49.4
Rural	97	128	101	88	85	499	52.7
Yakima	34	53	46	40	26	199	42.6
URBAN TOTAL	702	680	753	803	770	3708	31.5
RURAL TOTAL	832	814	770**	920	860**	4196	33.5
GRAND TOTAL	1534	1494	1523	1723	1630	7904	32.5

** Includes two deaths in Western State Custodial School

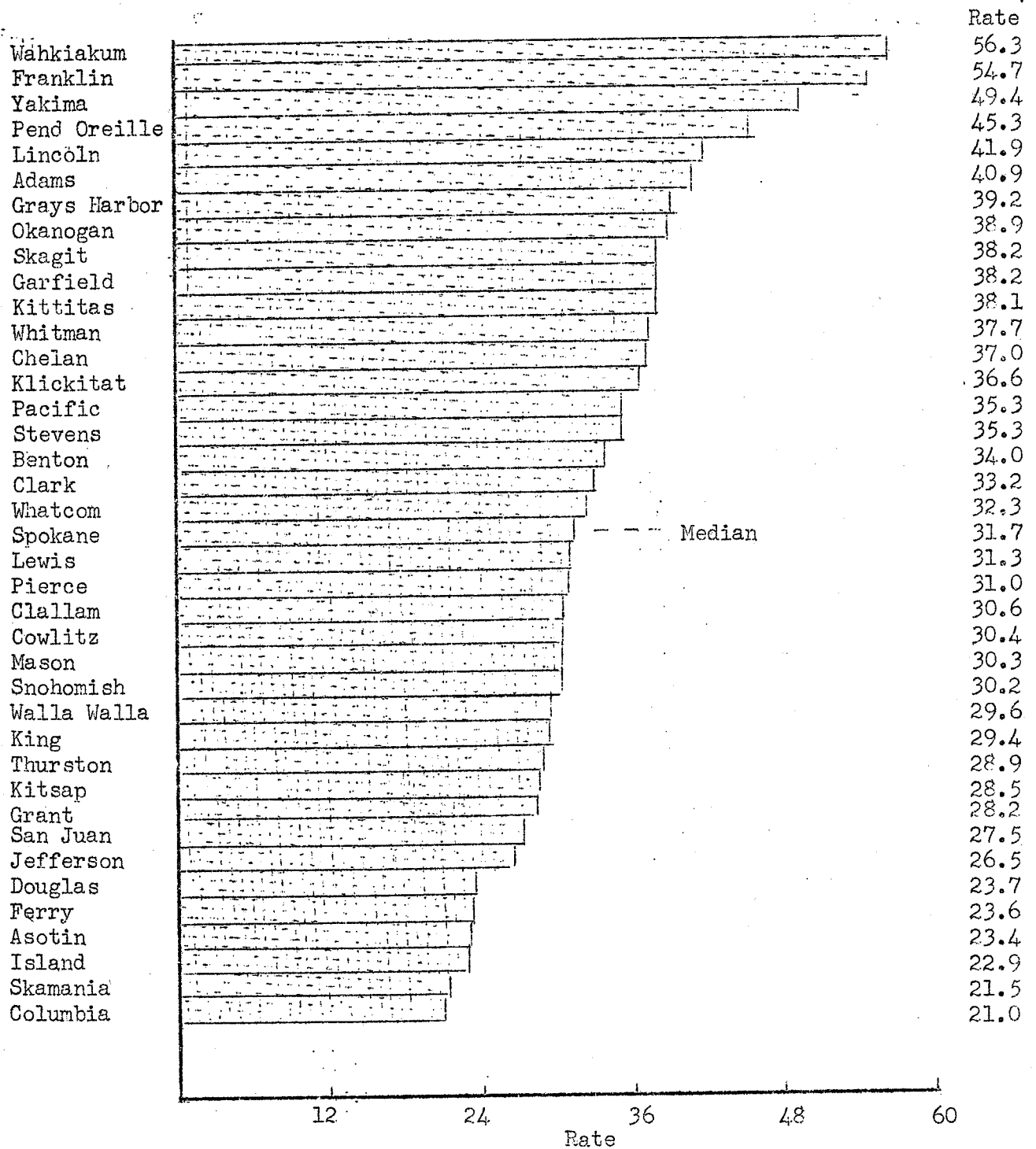


FIGURE 7 -- FIVE-YEAR INFANT MORTALITY RATES PER 1,000 LIVEBIRTHS, BY RANK FROM HIGHEST TO LOWEST RATE IN THE COUNTIES (CITIES INCLUDED) OF THE STATE OF WASHINGTON, 1943 - 1947

TABLE 24

DEATHS OF INFANTS UNDER ONE YEAR OF AGE IN THE COUNTIES AND MAJOR CITIES OF THE STATE OF WASHINGTON, BY AGE OF CHILD, ALLOCATED TO RESIDENCE OF MOTHER, 1947

County or City	Under 1 day	1 day- 1 week	1 week- 1 month	1 month- 11 months	Total
Adams	2	1	1	2	6
Asotin			3	2	5
Benton	9	8	2	3	22
Rural	4	6	1	1	12
Richland	5	2	1	2	10
Chelan	14	12	3	9	38
Rural	5	8	2	7	22
Wenatchee	9	4	1	2	16
Clallam	8	7	4	6	25
Rural	1	1	1	3	6
Port Angeles	7	6	3	3	19
Clark	20	25	4	20	69
Rural	8	13	2	16	39
Vancouver	12	12	2	4	30
Columbia	2			1	3
Cowlitz	15	11	1	12	39
Rural	5	6		8	19
Longview	10	5	1	4	20
Douglas	1		1	1	3
Ferry					0
Franklin	3	4		1	8
Garfield	1	1		2	4
Grant	10	3	2	1	16
Grays Harbor	17	16	5	11	49
Rural	7	8	3	7	25
Aberdeen	7	4	1	3	15
Hoquiam	3	4	1	1	9
Island	1			3	4
Jefferson		1	1	3	5
King	199	149	29	97	474
Rural	68	55	13	34	170
Renton	9	6	2	3	20
Seattle	122	88	14	60	284
Kitsap	36	17	7	17	77
Rural	19	10	4	10	43
Bremerton	17	7	3	7	34
Kittitas	2	3	1	6	12
Klickitat	5	4	1	1	11
Lewis	14	7	2	14	37
Lincoln	8	3	1	3	15
Mason	3	2	1	2	8
Okanogan	10	2	1	3	16
Pacific	4	1	4	4	13
Pend Oreille	2	3		3	8
Pierce	85	38	14	26	163
Rural	32	16	8	10*	66*
Puyallup	2				2
Tacoma	51	22	6	16	95

TABLE 24 (Cont.)

DEATHS OF INFANTS UNDER ONE YEAR OF AGE IN THE COUNTIES AND MAJOR CITIES OF THE STATE OF WASHINGTON, BY AGE OF CHILD, ALLOCATED TO RESIDENCE OF MOTHER, 1947

County or City	Under 1 day	1 day- 1 week	1 week- 1 month	1 month- 11 months	Total
San Juan	1	1		2	4
Skagit	13	7	1	6	27
Skamania			1		1
Snohomish	29	12	6	24	71
Rural	17	2	1	13	33
Everett	12	10	5	11	38
Spokane	62	52	5	41	160
Rural	13	8	1	7	29
Spokane	49	44	4	34	131
Stevens	4	3			7
Thurston	19	2		8	29
Rural	7	1		5	13
Olympia	12	1		3	16
Wahkiakum	3				3
Walla Walla	2	6	3	4	15
Rural	1		1	2	4
Walla Walla	1	6	2	2	11
Whatcom	18	12	4	11	45
Rural	3	7	2	7	19
Bellingham	15	5	2	4	26
Whitman	10	7	3	7	27
Yakima	35	29	12	35	111
Rural	26	23	7	29	85
Yakima	9	6	5	6	26
URBAN TOTAL	352	232	53	165	802
RURAL TOTAL	315	217	70	226*	828*
GRAND TOTAL	667	449	123	391*	1630*
Percent of total	40.9	27.5	7.5	24.0	100.0

* Includes 2 deaths in Western State Custodial School

TABLE 25

INFANT MORTALITY, BY PRINCIPAL CAUSES, IN THE COUNTIES AND MAJOR CITIES OF THE STATE OF WASHINGTON, WITH PERCENTAGES OF THE GRAND TOTAL, ALLOCATED TO MOTHER'S RESIDENCE, 1947

County or City	Whooping Cough (9)	Diphtheria (10)	Tuberculosis (all forms) (13-22)	All other infectious and parasitic diseases (1-8, 11, 12, 23-26, 28, 32, 34-44)	Dysentery (27), diarrhea and enteritis (119a)	Influenza (33), pneumonia (all forms) (107-109)	Congenital malformations (157)	Prematurity (159)	Injury at birth (160)	Congenital debility (158), other diseases peculiar to first year of life (161)	Accidental deaths (169-195)	Ill-defined and unknown causes (199, 200)	All other causes	All causes
Adams	1						1		1	2	1			6
Asotin						3				2				5
Benton						1	3	8	3	4		1	2	22
Rural						1	2	5	2	1			1	12
Richland							1	3	1	3		1	1	10
Chelan					2	1	7	15	3	6			4	38
Rural					1	1	3	7	3	4			3	22
Wenatchee					1		4	8		2			1	16
Clallam					1	3	7	8	2	2	1		1	25
Rural					1	2	1	1					1	6
Port Angeles						1	6	7	2	2	1			19
Clark					4	5	7	24	15	5	5		4	69
Rural					2	4	6	11	8	1	4		3	39
Vancouver					2	1	1	13	7	4	1		1	30
Columbia						1	1			1				3
Cowlitz					1	2	11	15	2	3	1		4	39
Rural					1	1	5	6	1	2	1		2	19
Longview						1	6	9	1	1			2	20
Douglas								2			1			3
Ferry														0
Franklin							3	1	1	2	1			8
Garfield				1			1		1				1	4
Grant						1	3	6	2	4				16
Grays Harbor					2	3	8	18	9	6	1		2	49
Rural					2	2	5	7	3	4	1		1	25
Aberdeen						1	2	5	6	1				15
Hoquiam							1	6		1			1	9
Island						1	1				2			4
Jefferson							2		1		1		1	5
King			2	1	9	30	66	191	58	55	22	2	38	474
Rural			1		3	9	29	65	20	20	8	1	14	170
Renton						1		10	4	2			3	20
Seattle			1	1	6	20	37	116	34	33	14	1	21	284
Kitsap				1	1	4	17	20	11	12	5		6	77
Rural				1	1	3	8	12	4	7	3		4	43
Bremerton						1	9	8	7	5	2		2	34
Kittitas					1		1	4	2	2		1	1	12
Klickitat							2	7				1	1	11

TABLE 25 (Cont.)

INFANT MORTALITY, BY PRINCIPAL CAUSES, IN THE COUNTIES AND MAJOR CITIES OF
THE STATE OF WASHINGTON, WITH PERCENTAGES OF THE GRAND TOTAL,
ALLOCATED TO MOTHER'S RESIDENCE, 1947

County or City	Whooping Cough (9)	Diphtheria (10)	Tuberculosis (all forms) (13-22)	All other infectious and parasitic diseases (1-8, 11, 12, 23-26, 28, 32, 34-44)	Dysentery (27), Diarrhea and enteritis (119a)	Influenza (33), pneumonia (all forms) (107-109)	Congenital malformations (157)	Prematurity (159)	Injury at birth (160)	Congenital debility (158), other diseases peculiar to first year of life (161)	Accidental deaths (169-195)	Ill-defined and unknown causes (199, 200)	All other causes	All causes
Lewis						6	2	13	5	3	2		5	37
Lincoln							2	8	1	3			1	15
Mason						1		5		1			1	8
Okanogan							3	2	4	3	1	1	2	16
Pacific						1	6	3	2				1	13
Pend Oreille							2	5					1	8
Pierce	2				1	9	30*	59	29	19	4	2	8*	163#
Rural	1					6	11*	23	10	9	1		5*	66#
Puyallup								2						2
Tacoma	1				1	3	19	34	19	10	3	2	3	95
San Juan								3		1				4
Skagit						2	2	11	3	5	1		3	27
Skamania								1						1
Snohomish				2	4	7	8	23	1	16	5	1	4	71
Rural				1	1	5	4	8	1	8	3		2	33
Everett				1	3	2	4	15		8	2	1	2	38
Spokane	1			1	4	16	21	60	20	25	9		3	160
Rural						6	6	6	6	4	1			29
Spokane	1			1	4	10	15	54	14	21	8		3	131
Stevens							2	4	1					7
Thurston					1	1	4	11	7		1	1	3	29
Rural					1	1	2	3	3		1		2	13
Olympia							2	8	4			1	1	16
Wahkiakum									2	1				3
Walla Walla	1				1		3	2	2	3	2		1	15
Rural							1	1			2			4
Walla Walla	1				1		2	1	2	3			1	11
Whatcom				1	1	5	12	14	4	3	1	1	3	45
Rural				1	1	2	3	5	1	1	1	1	3	19
Bellingham						3	9	9	3	2				26
Whitman					1	1	9	4	3	6	2		1	27
Yakima	2		1	1	4	17	24	30	11	10	4	4	3	111
Rural	2		1		3	15	19	20	9	8	3	3	2	85
Yakima				1	1	2	5	10	2	2	1	1	1	26
URBAN TOTAL	3	0	1	4	19	46	123	318	106	100	32	7	43	802
RURAL TOTAL	4	0	3	3	20	77	149*	256	101	104	41	8	62*	828#
GRAND TOTAL	7	0	4	7	39	123	272*	574	207	204	73	15	105*	1630#
Percent of Total	0.4	0.0	0.2	0.4	2.4	7.5	16.7	35.2	12.6	12.5	4.5	0.9	6.5	100.0

* Includes one death in Western State Custodial School

Includes two deaths in Western State Custodial School

TABLE 26

NUMBER OF DEATHS OF INFANTS (UNDER ONE YEAR OF AGE) BY
RESIDENCE OF MOTHER IN THE STATE OF WASHINGTON,
BY AGE OF INFANT, FIVE YEARS WITH
PERCENTAGES OF GRAND TOTAL,
1943 - 1947

Age Group	1943	1944	1945	1946	1947	Total	Percent of Total
All ages	1533	1493	1523	1723	1630	7902	100.0
Under 1 day	488	460	549	650	667	2814	35.6
1 day to 1 week	337	344	358	461	449	1949	24.7
1 week to 1 month	157	192	216	196	123	884	11.2
1 to 11 months	551	497	400	415	391	2254	28.5
Unknown age	0	0	0	1	0	1	*

* Less than 0.05 percent

TABLE 27

NUMBER OF DEATHS OF INFANTS (UNDER ONE YEAR OF AGE) BY RESIDENCE
OF MOTHER IN THE STATE OF WASHINGTON, BY LEADING CAUSES,
FIVE YEARS WITH PERCENTAGES OF TOTAL, 1943 - 1947

Cause of Death	Number					Percent of Total				
	1943	1944	1945	1946	1947	1943	1944	1945	1946	1947
All causes	1533	1493	1523	1723	1630	100.0	100.0	100.0	100.0	100.0
Premature birth (159)	499	466	548	671	574	32.6	31.2	36.0	38.9	35.2
Congenital malformations (157)	237	196	208	222	272	15.4	13.1	13.6	12.9	16.7
Injury at birth (160)	88	125	154	206	207	5.7	8.4	10.1	12.0	12.6
Congenital debility (158)										
Other diseases peculiar to the first year of life (161)	173	177	163	170	204	11.3	11.8	10.7	9.9	12.5
Influenza (33) and Pneumonia (107-109)	209	164	166	162	123	13.6	11.0	10.9	9.4	7.5
Accidental causes (169 - 195)	68	55	60	75	73	4.4	3.7	3.9	4.4	4.5
All other causes	259	310	224	217	177	16.9	20.8	14.7	12.6	10.8

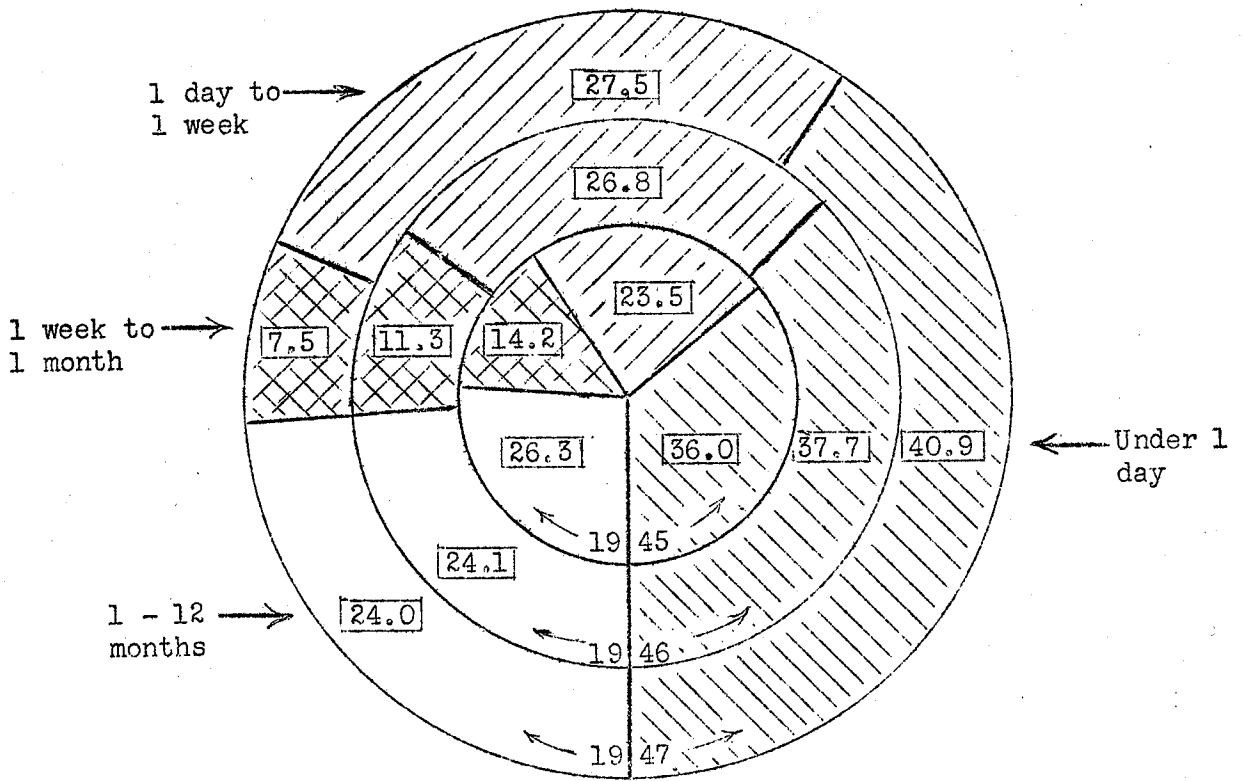


FIGURE 8 - INFANT MORTALITY BY AGE AT DEATH IN THE STATE OF WASHINGTON, 1945 - 1947, EXPRESSED AS PERCENTAGES OF TOTAL

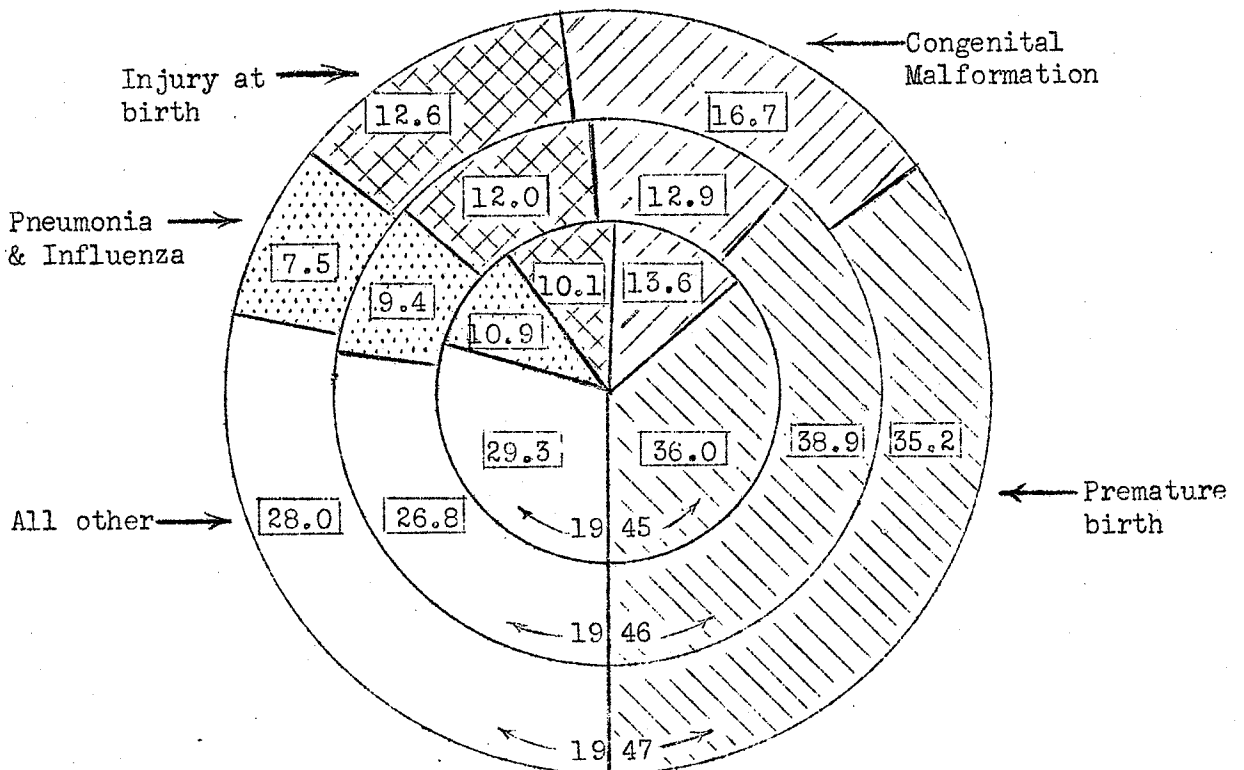


FIGURE 9 - INFANT MORTALITY FOR SELECTED CAUSES IN THE STATE OF WASHINGTON, 1945 - 1947, EXPRESSED AS PERCENTAGES OF TOTAL

TABLE 28

MATERNAL MORTALITY IN THE COUNTIES AND MAJOR CITIES OF THE STATE OF WASHINGTON,
WITH RATES PER 1,000 LIVE BIRTHS, ALLOCATED TO RESIDENCE OF DECEDENT,
AND BY PLACE OF OCCURRENCE, 1947

County or City	Residence		Occurrence	
	No.	Rate	No.	Rate
Adams	0	0.0	0	0.0
Asotin	0	0.0	1	11.4
Benton	1	1.1	0	0.0
Rural	1	2.2	0	0.0
Richland	0	0.0	0	0.0
Chelan	1	0.8	1	0.7
Rural	1	1.3	0	0.0
Wenatchee	0	0.0	1	0.8
Clallam	1	1.5	1	1.5
Rural	0	0.0	0	0.0
Port Angeles	1	2.8	1	1.7
Clark	4	1.7	4	1.7
Rural	3	1.8	0	0.0
Vancouver	1	1.4	4	1.8
Columbia	0	0.0	0	0.0
Cowlitz	0	0.0	0	0.0
Rural	0	0.0	0	0.0
Longview	0	0.0	0	0.0
Douglas	0	0.0	0	0.0
Ferry	0	0.0	0	0.0
Franklin	2	6.0	2	3.4
Garfield	0	0.0	0	0.0
Grant	0	0.0	0	0.0
Grays Harbor	3	2.1	3	2.1
Rural	0	0.0	0	0.0
Aberdeen	2	3.5	3	2.4
Hoquiam	1	3.3	0	0.0
Island	1	5.0	1	3.6
Jefferson	0	0.0	0	0.0
King	17	0.9	17	0.9
Rural	8	1.2	3	2.1
Renton	0	0.0	1	0.8
Seattle	9	0.8	13	0.8
Kitsap	1	0.4	1	0.4
Rural	0	0.0	0	0.0
Bremerton	1	0.8	1	0.4
Kittitas	0	0.0	0	0.0
Klickitat	0	0.0	0	0.0
Lewis	3	2.8	3	2.8
Lincoln	0	0.0	0	0.0
Mason	0	0.0	0	0.0
Okanogan	0	0.0	0	0.0
Pacific	1	2.7	1	3.4
Pend Oreille	0	0.0	0	0.0
Pierce	3	0.5	4	0.6
Rural	2	1.0	0	0.0
Puyallup	0	0.0	0	0.0
Tacoma	1	0.3	4	0.7

TABLE 28 (Cont.)

MATERNAL MORTALITY IN THE COUNTIES AND MAJOR CITIES OF THE STATE OF WASHINGTON,
WITH RATES PER 1,000 LIVE BIRTHS, ALLOCATED TO RESIDENCE OF DECEDENT,
AND BY PLACE OF OCCURRENCE, 1947

County or City	Residence		Occurrence	
	No.	Rate	No.	Rate
San Juan	0	0.0	0	0.0
Skagit	2	1.9	2	1.9
Skamania	0	0.0	0	0.0
Snohomish	3	1.2	3	1.3
Rural	3	2.0	1	2.0
Everett	0	0.0	2	1.1
Spokane	7	1.4	7	1.2
Rural	3	2.6	0	0.0
Spokane	4	1.0	7	1.2
Stevens	0	0.0	0	0.0
Thurston	1	0.9	0	0.0
Rural	1	1.4	0	0.0
Olympia	0	0.0	0	0.0
Wahkiakum	0	0.0	0	0.0
Walla Walla	1	1.1	1	0.8
Rural	0	0.0	0	0.0
Walla Walla	1	1.7	1	0.8
Whatcom	2	1.2	3	1.7
Rural	1	1.3	2	39.2
Bellingham	1	1.1	1	0.6
Whitman	3	3.9	3	4.7
Yakima	2	0.5	2	0.5
Rural	2	0.8	1	0.8
Yakima	0	0.0	1	0.3
URBAN TOTAL	22	0.8	40	0.8
RURAL TOTAL	37	1.2	20	1.6
GRAND TOTAL	59	1.0	60	1.0

TABLE 29

MATERNAL MORTALITY IN THE COUNTIES AND MAJOR CITIES OF THE STATE OF WASHINGTON
FOR FIVE YEARS, WITH TOTALS AND RATES PER 1,000 LIVEBIRTHS,
ALLOCATED TO RESIDENCE OF DECEDENT, 1943 - 1947

County or City	1943	1944	1945	1946	1947	Total	5 year rate
Adams						0	0.0
Asotin						0	0.0
Benton	1			1	1	3	1.0
Chelan	2	2	4	1	1	10	2.4
Rural	2		4	1	1	8	3.0
Wenatchee		2				2	1.4
Clallam	1	2	3	1	1	8	2.9
Rural	1	1	2			4	3.1
Port Angeles		1	1	1	1	4	2.7
Clark	2	5	7	1	4	19	1.7
Rural	1	4	6	1	3	15	1.9
Vancouver	1	1	1		1	4	1.2
Columbia		2				2	4.2
Cowlitz	3	1	1	2		7	1.3
Rural	2		1	1		4	1.2
Longview	1	1		1		3	1.4
Douglas	1	1	1			3	3.7
Ferry						0	0.0
Franklin	1			1	2	4	3.0
Garfield				1		1	3.5
Grant	1		1			2	1.3
Grays Harbor			1	3	3	7	1.3
Rural			1	1		2	0.9
Aberdeen				2	2	4	1.9
Hoquiam					1	1	0.9
Island					1	1	1.1
Jefferson		2				2	1.6
King	17	17	32	19	17	102	1.3
Rural	7	1	10	5	8	31	1.1
Seattle	10	16	22	14	9	71	1.4
Kitsap	3	4	2	4	1	14	1.0
Rural	1	4		2		7	1.0
Bremerton	2		2	2	1	7	1.0
Kittitas	1	2		1		4	1.9
Klickitat	2		2			4	3.8
Lewis		3	2	1	3	9	2.0
Lincoln	1		2			3	2.8
Mason	2	1	1			4	2.6
Okanogan	1	1				2	0.7
Pacific			1	1	1	3	2.0
Pend Oreille						0	0.0
Pierce	12	4	5	4	3	28	1.1
Rural	6	2	1	1	2	12	1.2
Tacoma	6	2	4	3	1	16	1.0
San Juan						0	0.0
Skagit	1	5			2	8	1.9

TABLE 29 (Cont.)

MATERNAL MORTALITY IN THE COUNTIES AND MAJOR CITIES OF THE STATE OF WASHINGTON
FOR FIVE YEARS, WITH TOTALS AND RATES PER 1,000 LIVEBIRTHS,
ALLOCATED TO RESIDENCE OF DECEDENT, 1943 - 1947

County or City	1943	1944	1945	1946	1947	Total	5 year rate
Skamania						0	0.0
Snohomish		3	1	2	3	9	0.8
Rural		3	1	1	3	8	1.3
Everett				1		1	0.2
Spokane	8	6	8	6	7	35	1.6
Rural	3	3	2	3	3	14	3.0
Spokane	5	3	6	3	4	21	1.3
Stevens	2			1		3	1.7
Thurston	1		1	1	1	4	0.8
Rural					1	1	0.4
Olympia	1		1	1		3	1.4
Wahkiakum						0	0.0
Walla Walla	2	1	1	3	1	8	2.1
Rural	1		1	2		4	3.2
Walla Walla	1	1		1	1	4	1.6
Whatcom	2	1	1	3	2	9	1.3
Rural	1		1	1	1	4	1.3
Bellingham	1	1		2	1	5	1.3
Whitman	1	1		1	3	6	2.2
Yakima	4	8	2	7	2	23	1.6
Rural	3	7		5	2	17	1.8
Yakima	1	1	2	2		6	1.3
URBAN TOTAL	29	29	39	33	22	152	1.3
RURAL TOTAL	43	43	40	32	37	195	1.6
GRAND TOTAL	72	72	79	65	59	347	1.4

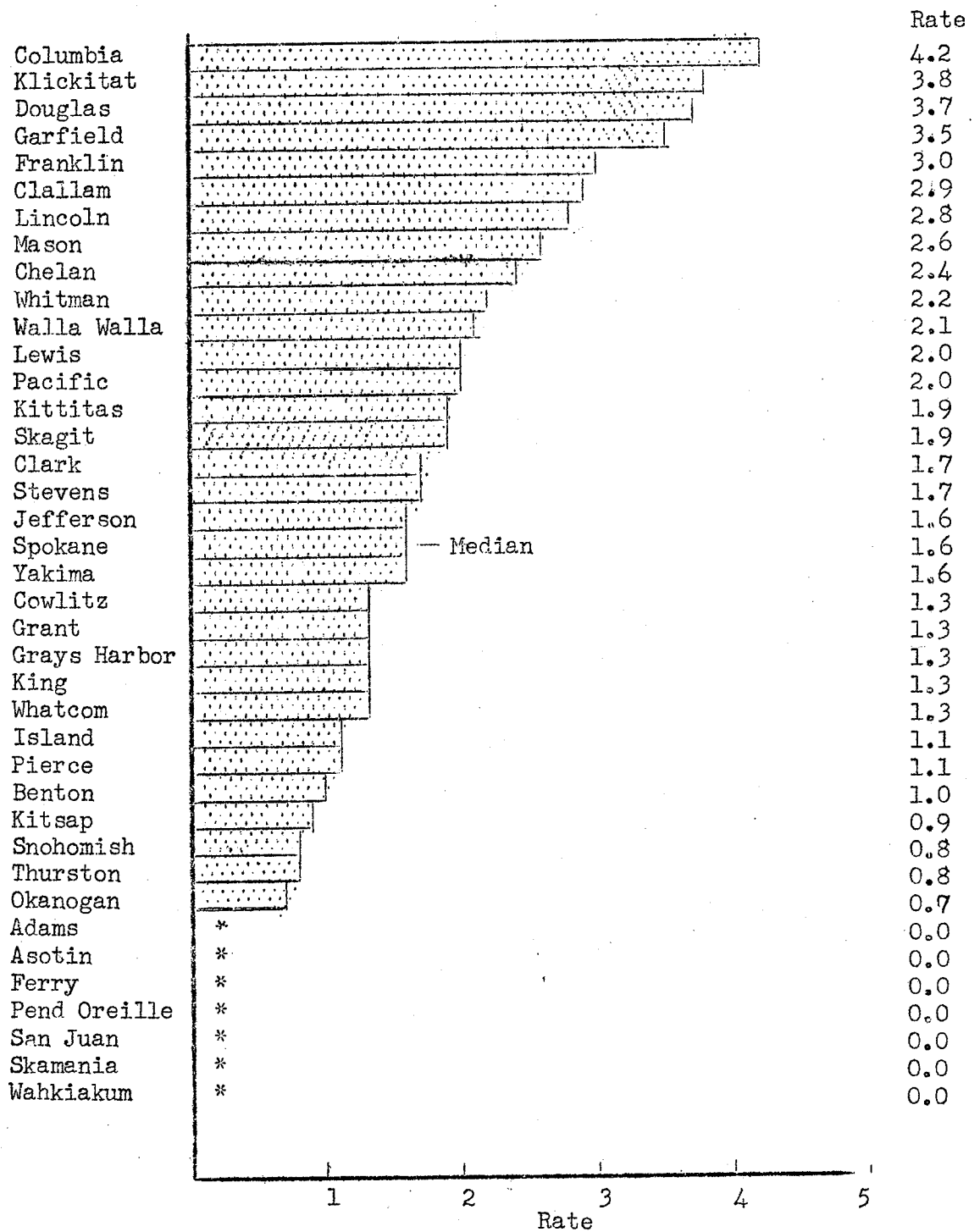


FIGURE 10 - FIVE-YEAR MATERNAL MORTALITY RATES PER 1,000 LIVEBIRTHS, BY RANK FROM HIGHEST TO LOWEST RATE, BY RESIDENCE IN THE COUNTIES (CITIES INCLUDED) OF THE STATE OF WASHINGTON, 1943 - 1947

* No maternal deaths for this five-year period.

MATERNAL MORTALITY IN THE COUNTIES AND MAJOR CITIES OF THE STATE OF WASHINGTON,
BY CAUSE OF DEATH, ALLOCATED TO RESIDENCE OF DECEDENT, 1947

County or City	Abortion with mention of infection (140)	Abortion without mention of infection (141)	Ectopic gestation (142)	Hemorrhage of pregnancy (death before delivery) (143)	Toxemias of pregnancy (death before delivery) (144)	Other dis. & accidents of preg- (death before delivery) (145)	Hemorrhage of childbirth and the puerperium (146)	Infection during childbirth and the puerperium (147)	Puerperal toxemias (excluding death before delivery) (148)	Other accidents and specified conditions of childbirth (149)	Other and unspecified condi- tions of childbirth and the puerperium (150)	Total
Adams												0
Asotin												0
Benton								1				1
Rural								1				1
Richland												
Chelan							1					1
Rural							1					1
Wenatchee												0
Clallam					1							1
Rural												0
Port Angeles					1							1
Clark					2		1		1			4
Rural					1		1		1			3
Vancouver					1							1
Columbia												0
Cowlitz												0
Rural												0
Longview												0
Douglas												0
Ferry												0
Franklin				1			1					2
Garfield												0
Grant												0
Grays Harbor							1		2			3
Rural												0
Aberdeen							1		1			2
Hoquiam									1			1
Island										1		1
Jefferson												0
King	1		1	1	3		2	3	2	4		17
Rural					2		2		1	3		8
Renton												0
Seattle	1		1	1	1			3	1	1		8
Kitsap										1		1
Rural												0
Bremerton										1		1
Kittitas												0
Klickitat												0
Lewis					1				1	1		3

TABLE 30 (Cont.)

MATERNAL MORTALITY IN THE COUNTIES AND MAJOR CITIES OF THE STATE OF WASHINGTON,
BY CAUSE OF DEATH, ALLOCATED TO RESIDENCE OF DECEDENT, 1947

County or City	Abortion with mention of infection (140)	Abortion without mention of infection (141)	Ectopic gestation (142)	Hemorrhage of pregnancy (death before delivery) (143)	Toxemias of pregnancy (death before delivery (144)	Other dis. & accidents of preg. (death before delivery (145)	Hemorrhage of childbirth and the puerperium (146)	Infection during childbirth and the puerperium (147)	Puerperal toxemias (excluding death before delivery (148)	Other accidents and specified conditions of childbirth (149)	Other and unspecified condi- tions of childbirth and the puerperium (150)	Total
Lincoln												0
Mason												0
Okanogan												0
Pacific				1								1
Pend Oreille												0
Pierce	1		1				1					3
Rural			1				1					2
Puyallup												0
Tacoma	1											1
San Juan												0
Skagit								1	1			2
Skamania												0
Snohomish					1		2					3
Rural					1		2					3
Everett												0
Spokane			1			1	1	4				7
Rural								3				3
Spokane			1			1	1	1				4
Stevens												0
Thurston						1						1
Rural						1						1
Olympia												0
Wahkiakum												0
Walla Walla				1								1
Rural												0
Walla Walla				1								1
Whatcom	1								1			2
Rural									1			1
Bellingham	1											1
Whitman	1								1	1		3
Yakima					1				1			2
Rural												0
Yakima					1				1			2
URBAN TOTAL	3	0	2	2	3	1	2	4	3	2	0	22
RURAL TOTAL	1	0	1	2	6	1	8	5	7	6	0	37
GRAND TOTAL	4	0	3	4	9	2	10	9	10	8	0	59

TABLE 31

MATERNAL DEATHS, BY CAUSE OF DEATH AND BY AGE GROUPS, WITH PERCENTAGES OF THE TOTAL, ALLOCATED TO RESIDENCE OF DECEDENT, STATE OF WASHINGTON, 1947

Age Group	Total	Abortion with mention of infection (140)	Abortion without mention of infection (141)	Ectopic gestation (142)	Hemorrhage of pregnancy (death before delivery) (143)	Toxemias of pregnancy (death before delivery) (144)	Other dis. and accidents of preg. (death before delivery) (145)	Hemorrhage of childbirth & the puerperium (146)	Infection during childbirth and the puerperium (147)	Puerperal toxemias (excluding death before delivery) (148)	Other accidents and specified conditions of childbirth (149)	Other & unspec. conditions of childbirth & the puerperium (150)
Under 15 years	0											
15 - 19 years	4					3					1	
20 - 24 years	14	1			2	2			3	3	3	
25 - 29 years	15	1		2	1		1	1	3	2	4	
30 - 34 years	11					1		5	2	3		
35 - 39 years	6			1		1		3		1		
40 - 44 years	7	2				2		1	1	1		
45 - 49 years	2				1		1					
50 years and over	0											
Unknown age												
Total	59	4	0	3	4	9	2	10	9	10	8	0
Percent of Total	100.0	6.8	0.0	5.1	6.8	15.2	3.4	16.9	15.2	16.9	13.6	0.0

TABLE 32

MATERNAL MORTALITY IN THE COUNTIES AND MAJOR CITIES OF THE STATE OF WASHINGTON,
BY AGE GROUPS, WITH PERCENTAGES OF GRAND TOTAL, ALLOCATED TO
RESIDENCE OF DECEDENT, 1947

County or City	15-19 years	20-24 years	25-29 years	30-34 years	35-39 years	40-44 years	40 years and over	Total
Adams								0
Asotin								0
Benton						1		1
Rural						1		1
Richland								0
Chelan					1			1
Rural					1			1
Wenatchee								0
Clallam						1		1
Rural								0
Port Angeles						1		1
Clark	1				1	2		4
Rural	1					2		3
Vancouver					1			1
Columbia								0
Cowlitz								0
Rural								0
Longview								0
Douglas								0
Ferry								0
Franklin		1		1				2
Garfield								0
Grant								0
Grays Harbor		2	1					3
Rural								0
Aberdeen		1	1					2
Hoquiam		1						1
Island		1						1
Jefferson								0
King	1	4	7	2	1	2		17
Rural	1	2	3	2				8
Renton								0
Seattle		2	4		1	2		9
Kitsap	1							1
Rural								0
Bremerton	1							1
Kittitas								0
Klickitat								0
Lewis		1	2					3
Lincoln								0
Mason								0
Okanogan								0
Pacific							1	1
Pend Oreille								0
Pierce			1	1		1		3
Rural			1	1				2
Puyallup								0
Tacoma						1		1

TABLE 32 (Cont.)

MATERNAL MORTALITY IN THE COUNTIES AND MAJOR CITIES OF THE STATE OF WASHINGTON,
BY AGE GROUPS, WITH PERCENTAGES OF GRAND TOTAL, ALLOCATED TO
RESIDENCE OF DECEDENT, 1947

County or City	15-19 years	20-24 years	25-29 years	30-34 years	35-39 years	40-44 years	40 years and over	Total
San Juan								0
Skagit				2				2
Skamania								0
Snohomish				2	1			3
Rural				2	1			3
Everett								0
Spokane		1	3	1	2			7
Rural		1	1	1				3
Spokane			2		2			4
Stevens								0
Thurston							1	1
Rural							1	1
Olympia								0
Wahkiakum								0
Walla Walla		1						1
Rural								0
Walla Walla		1						1
Whatcom			1	1				2
Rural				1				1
Bellingham			1					1
Whitman		2		1				3
Yakima	1	1						2
Rural	1	1						2
Yakima								0
URBAN TOTAL	1	5	8	0	4	4	0	22
RURAL TOTAL	3	9	7	11	2	3	2	37
GRAND TOTAL	4	14	15	11	6	7	2	59
Percent of Total	6.8	23.7	25.4	18.6	10.2	11.9	3.4	100.0

TABLE 33

MATERNAL MORTALITY BY RESIDENCE IN THE STATE OF WASHINGTON, BY AGE GROUP OF MOTHER, WITH FIVE YEAR TOTALS AND PERCENTAGES, 1943 - 1947

Age Group	1943	1944	1945	1946	1947	Total	Percent of total
All ages	72	72	79	65	59	347	100.0
15 - 19 years	5	8	7	3	4	27	7.8
20 - 24 years	15	14	13	14	14	70	20.2
25 - 29 years	18	17	26	11	15	87	25.1
30 - 34 years	13	18	11	19	11	72	20.7
35 - 39 years	13	8	17	12	6	56	16.1
40 years and over	8	7	5	6	9	35	10.1

TABLE 34

MATERNAL MORTALITY BY RESIDENCE IN THE STATE OF WASHINGTON, BY CAUSE, FOR FIVE YEARS WITH PERCENTAGES OF GRAND TOTAL, 1943 - 1947

Cause	1943	1944	1945	1946	1947	Five-year total	Percent of total
All causes	72	72	79	65	59	347	100.0
Abortion with mention of infection (140)	5	7	9	4	4	29	8.4
Abortion without mention of infection (141)	3	8	5	6	0	22	6.3
Ectopic gestation (142)	7	4	2	5	3	21	6.0
Hemorrhage of pregnancy (death before delivery) (143)	0	1	1	3	4	9	2.6
Toxemias of pregnancy (death before delivery) (144)	4	5	8	1	9	27	7.8
Other dis. and accidents of preg. (death before delivery) (145)	4	4	3	3	2	16	4.6
Hemorrhage of childbirth and the puerperium (146)	5	9	14	14	10	52	15.0
Infection during childbirth and the puerperium (147)	21	13	19	9	9	71	20.5
Puerperal toxemias (excluding death before delivery) (148)	13	8	10	11	10	52	15.0
Other accidents and specified conditions of childbirth (149)	8	13	8	7	8	44	12.7
Other and unspecified conditions of childbirth and the puerperium (150)	2	0	0	2	0	4	1.2

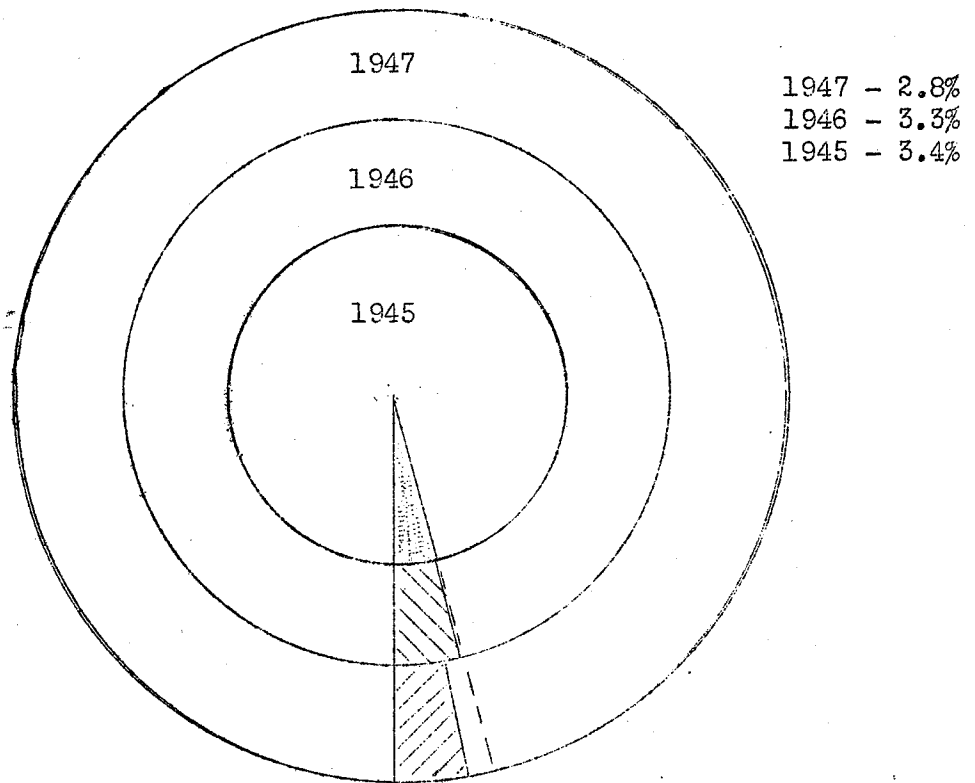


FIGURE 11 - RATIO OF INFANT DEATHS TO ALL LIVEBIRTHS IN THE STATE OF WASHINGTON 1945 - 1947

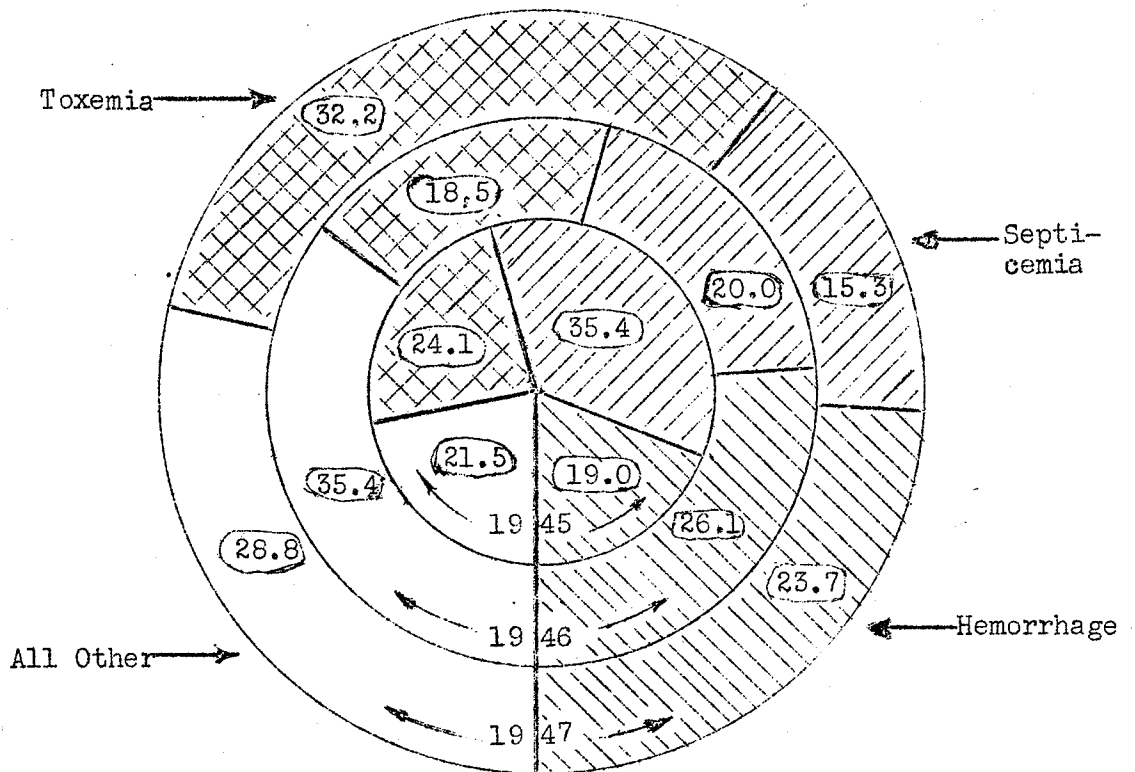


FIGURE 12 - MATERNAL MORTALITY BY CAUSE, EXPRESSED AS PERCENTAGES OF TOTAL, IN THE STATE OF WASHINGTON, 1945 - 1947

TABLE 35

STILLBIRTHS IN THE COUNTIES AND MAJOR CITIES OF THE STATE OF WASHINGTON,
WITH RATES PER 1,000 LIVEBIRTHS, ALLOCATED TO RESIDENCE OF MOTHER
AND BY PLACE OF OCCURRENCE, 1947

County or City	Residence		Occurrence	
	Number	Rate	Number	Rate
Adams	0	0.0	0	0.0
Asotin	4	19.4	3	34.1
Benton	11	12.2	6	10.6
Rural	5	11.2	1	25.6
Richland	6	13.3	5	9.5
Chelan	19	15.9	23	16.8
Rural	12	15.8	5	28.2
Wenatchee	7	16.1	18	15.1
Clallam	12	17.8	12	18.5
Rural	4	12.5	1	20.8
Port Angeles	8	22.5	11	18.4
Clark	39	16.7	42	18.3
Rural	21	12.9	2	15.9
Vancouver	18	25.2	40	18.5
Columbia	3	23.4	3	23.6
Cowlitz	19	13.5	19	11.8
Rural	11	14.2	0	0.0
Longview	8	12.6	19	12.2
Douglas	2	9.6	0	0.0
Ferry	4	42.6	1	24.4
Franklin	3	9.0	6	10.1
Garfield	1	13.7	1	83.3
Grant	8	16.6	5	19.6
Grays Harbor	20	14.0	18	12.7
Rural	9	16.0	2	13.5
Aberdeen	7	12.4	16	12.7
Hoquiam	4	13.3	0	0.0
Island	5	24.8	5	18.0
Jefferson	6	24.4	6	27.4
King	310	17.0	320	16.9
Rural	95	14.8	24	16.9
Renton	13	18.9	19	15.7
Seattle	202	18.1	277	17.0
Kitsap	40	16.2	37	15.8
Rural	25	20.9	2	40.0
Bremerton	15	11.8	35	15.3
Kittitas	7	12.4	6	10.2
Klickitat	7	25.1	5	25.2
Lewis	13	12.4	13	12.1
Lincoln	3	11.7	3	33.3
Mason	5	13.0	6	17.2
Okanogan	10	12.6	13	14.2
Pacific	7	19.2	6	20.5
Pend Oreille	4	22.6	3	14.0
Pierce	86	14.6	89	13.7
Rural	27	14.2	11	17.6
Puyallup	3	12.6	3	6.8
Tacoma	56	14.9	75	13.8

TABLE 35 (Cont.)

STILLBIRTHS IN THE COUNTIES AND MAJOR CITIES OF THE STATE OF WASHINGTON,
WITH RATES PER 1,000 LIVEBIRTHS, ALLOCATED TO RESIDENCE OF MOTHER
AND BY PLACE OF OCCURRENCE, 1947

County or City	Residence		Occurrence	
	Number	Rate	Number	Rate
San Juan	0	0.0	0	0.0
Skagit	8	7.5	9	8.4
Skamania	2	21.7	0	0.0
Snohomish	39	15.0	37	15.6
Rural	22	14.4	9	17.7
Everett	17	16.0	28	15.1
Spokane	75	14.5	87	14.6
Rural	18	15.4	4	26.0
Spokane	57	14.2	83	14.3
Stevens	11	26.4	9	22.4
Thurston	10	9.1	10	10.1
Rural	2	2.9	0	0.0
Olympia	8	19.5	10	10.4
Wahkiakum	1	11.0	0	0.0
Walla Walla	16	18.0	20	16.2
Rural	5	17.2	0	0.0
Walla Walla	11	18.4	20	16.3
Whatcom	36	21.4	38	21.8
Rural	19	24.6	3	58.8
Bellingham	17	18.7	35	20.7
Whitman	3	3.9	1	1.6
Yakima	58	15.3	63	16.1
Rural	39	15.7	18	14.5
Yakima	19	14.6	45	16.8
URBAN TOTAL	476	17.3	739	15.7
RURAL TOTAL	431	14.0	186	15.2
Grand Total	907	15.6	925	15.6

TABLE 36

STILLBIRTHS IN THE COUNTIES AND MAJOR CITIES OF THE STATE OF WASHINGTON, FOR FIVE YEARS, WITH TOTALS AND RATES PER 1,000 LIVEBIRTHS, ALLOCATED TO RESIDENCE OF MOTHER, 1943 - 1947

County or City	1943	1944	1945	1946	1947	Total	5 year average rate
Adams		4	2	2		8	13.6
Asotin	3	1	1		4	9	12.4
Benton	10	7	3	8	11	39	13.3
Rural	10	7	3	8	11	39	13.3
Richland*							
Chelan	9	9	17	15	19	69	16.8
Rural	4	5	11	11	12	43	16.3
Wenatchee	5	4	6	4	7	26	17.7
Clallam	10	6	13	5	12	46	16.6
Rural	6	2	8	1	4	21	16.4
Port Angeles	4	4	5	4	8	25	16.7
Clark	32	33	27	28	39	159	14.4
Rural	19	24	22	18	21	104	13.4
Vancouver	13	9	5	10	18	55	16.5
Columbia	1	3		1	3	8	16.8
Cowlitz	17	8	11	28	19	83	15.6
Rural	11	7	5	22	11	56	17.6
Longview	6	1	6	6	8	27	12.6
Douglas	1	1	1	6	2	11	13.7
Ferry		2	2		4	8	20.9
Franklin	1	2	5	4	3	15	11.2
Garfield	1				1	2	6.9
Grant	5	3		4	8	20	13.4
Grays Harbor	8	19	20	22	20	89	16.6
Rural	4	10	7	11	9	41	18.8
Aberdeen	4	7	10	8	7	36	17.5
Hoquiam		2	3	3	4	12	10.7
Island	1	1	4	5	5	16	18.3
Jefferson	3	6	4	2	6	21	17.4
King	181	166	222	286	310	1165	15.1
Rural	54	49	70	88	108	369	13.3
Renton*							
Seattle	127	117	152	198	202	796	16.2
Kitsap	32	42	45	45	40	204	14.8
Rural	21	30	19	27	25	122	16.8
Bremerton	11	12	26	18	15	82	12.6
Kittitas	7	3	6	10	7	33	15.5
Klickitat	2	1	2	1	7	13	12.5
Lewis	10	14	9	13	13	59	13.5
Lincoln	3	2	2	4	3	14	13.3
Mason	5	7	3	4	5	24	15.5
Okanogan	10	11	5	12	10	48	16.2
Pacific	4	6	6	8	7	31	21.0
Pend Oreille	2	3	2	1	4	12	18.1
Pierce	69	70	63	110	86	398	15.1
Rural	25	26	25	43	30	149	15.2
Puyallup*							
Tacoma	44	44	38	67	56	249	15.0

TABLE 36 (Cont.)

STILLBIRTHS IN THE COUNTIES AND MAJOR CITIES OF THE STATE OF WASHINGTON, FOR FIVE YEARS, WITH TOTALS AND RATES PER 1,000 LIVEBIRTHS, ALLOCATED TO RESIDENCE OF MOTHER, 1943 - 1947

County or City	1943	1944	1945	1946	1947	Total	5 year average rate
San Juan			1			1	4.6
Skagit	6	5	10	9	8	38	9.1
Skamania		1			2	3	9.2
Snohomish	28	27	19	35	39	148	14.0
Rural	18	15	10	27	22	92	14.6
Everett	10	12	9	8	17	56	13.0
Spokane	41	51	58	69	75	294	13.9
Rural	10	20	13	11	18	72	15.4
Spokane	31	31	45	58	57	222	13.5
Stevens	6	7	5	3	11	32	17.9
Thurston	13	9	13	23	10	68	14.2
Rural	8	4	4	12	2	30	11.0
Olympia	5	5	9	11	8	38	18.3
Wahkiakum					1	1	2.8
Walla Walla	2	9	10	13	16	50	13.1
Rural	1	5	3	5	5	19	15.0
Walla Walla	1	4	7	8	11	31	12.1
Whatcom	17	22	36	28	36	139	20.6
Rural	12	11	12	15	19	69	22.8
Bellingham	5	11	24	13	17	70	18.8
Whitman	5	2	3	10	3	23	8.4
Yakima	30	44	42	55	58	229	16.2
Rural	22	33	29	38	39	161	17.0
Yakima	8	11	13	17	19	68	14.6
URBAN TOTAL	274	274	358	433	454	1793	15.2
RURAL TOTAL	301	333	314	436	453	1837	14.7
GRAND TOTAL	575	607	672	869	907	3630	14.9

* No separate tabulation made on these cities, stillbirths included in rural part of county.

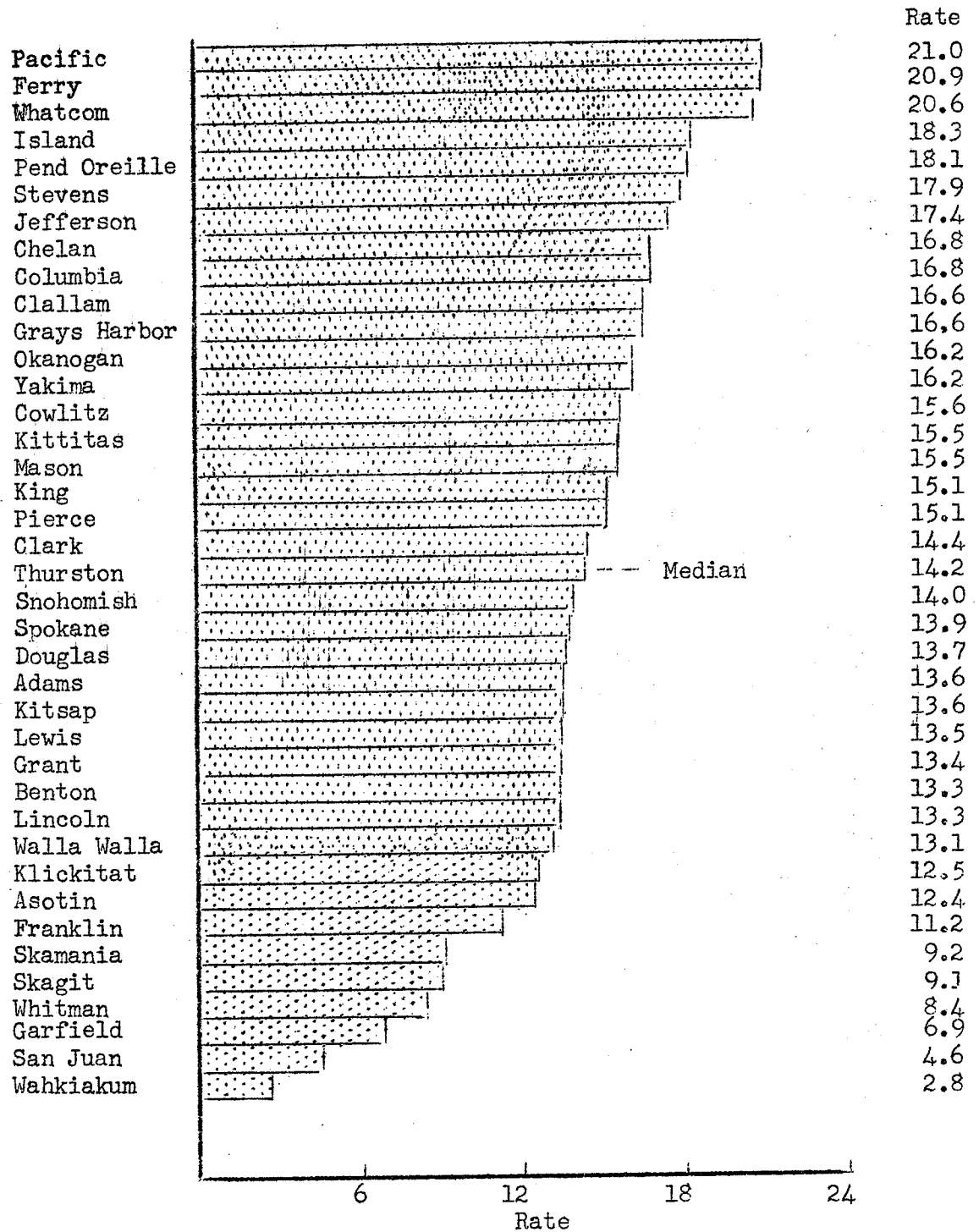


FIGURE 13 - FIVE-YEAR STILLBIRTH RATES PER 1,000 LIVEBIRTHS BY RANK FROM HIGHEST TO LOWEST RATE IN THE COUNTIES (CITIES INCLUDED) OF THE STATE OF WASHINGTON, 1943 - 1947

TABLE 37

STILLBIRTHS IN THE COUNTIES AND MAJOR CITIES OF THE STATE OF WASHINGTON,
BY AGE AND RESIDENCE OF MOTHER, 1947

County or City	10-14	15-19	20-24	25-29	30-34	35-39	40-44	45 & over	Un- known age	Total
Adams										0
Asotin		1	2				1			4
Benton		3	1	1	3	2			1	11
Rural		1	1	1		1			1	5
Richland		2			3	1				6
Chelan		1	3	6	3	4	1	1		19
Rural		1	1	5		3	1	1		12
Wenatchee			2	1	3	1				7
Clallam		1	2	3	5				1	12
Rural				2	1				1	4
Port Angeles		1	2	1	4					8
Clark		5	12	9	6	2	5			39
Rural		1	6	4	4	2	4			21
Vancouver		4	6	5	2		1			18
Columbia			2	1						3
Cowlitz			7	4	5	2	1			19
Rural			5	2	2	1	1			11
Longview			2	2	3	1				8
Douglas			1		1					2
Ferry			1	1	1		1			4
Franklin				1	2					3
Garfield							1			1
Grant		1	2		4	1				8
Grays Harbor		1	5	5	6	2	1			20
Rural			2	1	4	1	1			9
Aberdeen		1	2	2	1	1				7
Hoquiam			1	2	1					4
Island				2	2	1				5
Jefferson			2	2	1	1				6
King		31	75	88	60	44	7	1	4	310
Rural		11	20	26	20	14	3		1	95
Renton		3	4	6						13
Seattle		17	51	56	40	30	4	1	3	202
Kitsap		3	10	10	9	4	2		2	40
Rural		2	6	5	6	3	2		1	25
Bremerton		1	4	5	3	1			1	15
Kittitas			2	3	1	1				7
Klickitat		1	3	1	2					7
Lewis		1	4	5	2	1				13
Lincoln			2						1	3
Mason				2	1	2				5
Okanogan			1	3	4	1	1			10
Pacific		1		1	3		2			7
Pend Oreille					1	3				4
Pierce		13	20	19	19	12	2	1		86
Rural		4	5	6	7	4	1			27
Puyallup		1	1		1					3
Tacoma		8	14	13	11	8	1	1		56

TABLE 37 (Cont.)

STILLBIRTHS IN THE COUNTIES AND MAJOR CITIES OF THE STATE OF WASHINGTON,
BY AGE AND RESIDENCE OF MOTHER, 1947

County or City	10-14	15-19	20-24	25-29	30-34	35-39	40-44	45 & over	Un- known age	Total
San Juan										0
Skagit		1	2	2	2	1				8
Skamania			1	1						2
Snohomish		4	11	9	6	8			1	39
Rural		2	5	5	4	5			1	22
Everett		2	6	4	2	3				17
Spokane		5	14	29	21	4	2		1	75
Rural		3	5	3	5	1	1			18
Spokane		2	9	25	16	3	1		1	57
Stevens		4	1	2	1	1	2			11
Thurston		2	2	2		2	1		1	10
Rural			1						1	2
Olympia		2	1	2		2	1			8
Wahkiakum							1			1
Walla Walla		1	3	8	2	1			1	16
Rural				4	1					5
Walla Walla		1	3	4	1	1			1	11
Whatcom		3	14	5	2	7	1		4	36
Rural		1	8	3	1	4	1		1	19
Bellingham		2	6	2	1	3			3	17
Whitman		2					1			3
Yakima		8	14	12	12	9	2	1		58
Rural		5	10	5	9	7	2	1		39
Yakima		3	4	7	3	2				19
URBAN TOTAL	0	50	118	137	95	57	8	2	9	476
RURAL TOTAL	0	43	101	99	92	59	27	2	8	431
GRAND TOTAL	0	93	219	236	187	116	35	4	17	907
Rate* per 1,000 livebirths	0.0	14.9	10.9	14.0	19.5	26.8	35.7	64.5	**	15.6

* Rate based on number of livebirths in each age group

** Rate not worked due to incomparability of figures

TABLE 38

STILLBIRTHS IN THE COUNTIES AND MAJOR CITIES OF THE STATE OF WASHINGTON,
BY CAUSE, ALLOCATED TO MOTHER'S RESIDENCE, 1947

County or City	Diseases in, or accidents to mother	Anomalies of fetus, placenta or cord	Death of fetus by injury or other causes	Abortion, miscarriage, or premature birth	Other specified causes	Cause unspecified or unknown	Totals
Adams							0
Asotin	2			1	1		4
Benton	6		3		1	1	11
Rural	3		1			1	5
Richland	3		2		1		6
Chelan	8	2	2	2	4	1	19
Rural	5	2		2	2	1	12
Wenatchee	3		2		2		7
Clallam	4	3	1	1	1	2	12
Rural		1	1			2	4
Port Angeles	4	2		1	1		8
Clark	16	5	5	3	2	8	39
Rural	7	3	3	1	1	6	21
Vancouver	9	2	2	2	1	2	18
Columbia					2	1	3
Cowlitz	7	3	4		4	1	19
Rural	6	3			1	1	11
Longview	1		4		3		8
Douglas	1		1				2
Ferry	1		2	1			4
Franklin	1				2		3
Garfield	1						1
Grant	2	2	1			3	8
Grays Harbor	7	3	3	1	4	2	20
Rural	5	1	1		2		9
Aberdeen	1	2	1	1	1	1	7
Hoquiam	1		1		1	1	4
Island	2		3				5
Jefferson	2	2	1			1	6
King	96	31	75	28	36	44	310
Rural	31	11	22	8	13	10	95
Renton	1	1	3	2	3	3	13
Seattle	64	19	50	18	20	31	202
Kitsap	17	4	8	3	2	6	40
Rural	10	2	7	1	1	4	25
Bremerton	7	2	1	2	1	2	15
Kittitas	4		2		1		7
Klickitat	4		3				7
Lewis	6	3	3	1			13
Lincoln	1		1	1			3
Mason	4		1				5
Okanogan	5	2	2			1	10
Pacific	1	1	3		1	1	7
Pend Oreille	2	1		1			4
Pierce	23	8	29	9	9	8	86
Rural	8		11	1	3	4	27
Puyallup			1	1		1	3
Tacoma	15	8	17	7	6	3	56

TABLE 38 (Cont.)

STILLBIRTHS IN THE COUNTIES AND MAJOR CITIES OF THE STATE OF WASHINGTON,
BY CAUSE, ALLOCATED TO MOTHER'S RESIDENCE, 1947

County or City	Diseases in, or accidents to mother	Anomalies of fetus, placenta or cord	Death of fetus by injury or other causes	Abortion, miscar- riage, or premature birth	Other speci- fied causes	Cause un- specified or unknown	Totals
San Juan							0
Skagit	5		3				8
Skamania	1			1			2
Snohomish	11	7	7	1	6	7	39
Rural	7	5	4	1	3	2	22
Everett	4	2	3		3	5	17
Spokane	24	11	15	4	9	12	75
Rural	7	1	4	1	1	4	18
Spokane	17	10	11	3	8	8	57
Stevens	2	1	3	3	2		11
Thurston	2		6		1	1	10
Rural			1			1	2
Olympia	2		5		1		8
Wahkiakum			1				1
Walla Walla	6	1	7			2	16
Rural	4		1				5
Walla Walla	2	1	6			2	11
Whatcom	16	3	11	1	4	1	36
Rural	8	2	8		1		19
Bellingham	8	1	3	1	3	1	17
Whitman			2			1	3
Yakima	24	1	11	3	8	11	58
Rural	16	1	7	3	5	7	39
Yakima	8		4		3	4	19
URBAN TOTAL	150	50	116	38	58	64	476
RURAL TOTAL	164	44	103	27	42	51	431
GRAND TOTAL	314	94	219	65	100	115	907
Percent of Total	34.6	10.4	24.1	7.2	11.0	12.7	100.0

TABLE 39

STILLBIRTHS BY RESIDENCE IN THE STATE OF WASHINGTON, BY AGE GROUP OF MOTHER, WITH THREE-YEAR TOTALS AND PERCENTAGES, 1945 - 1947

Age Group	1945	1946	1947	Three-Year Total	Percent of Total
All ages	672	869	907	2448	100.0
10 - 14 years	1	0	0	1	*
15 - 19 years	42	63	93	198	8.1
20 - 24 years	158	259	219	636	26.0
25 - 29 years	176	213	236	625	25.5
30 - 34 years	128	166	187	481	19.6
35 - 39 years	86	110	116	312	12.7
40 - 44 years	37	34	35	106	4.3
45 and over	2	4	4	10	0.4
Age not stated	42	20	17	79	3.2

* Less than 0.05 percent

TABLE 40

NUMBER OF STILLBIRTHS TO WASHINGTON RESIDENTS, BY CAUSE, THREE YEARS, WITH TOTALS AND PERCENTAGES OF TOTAL, 1945 - 1947

Cause	Number			Percent of Total		
	1945	1946	1947	1945	1946	1947
All causes	672	869	907	100.0	100.0	100.0
Disease in, or accidents to mother	206	282	314	30.6	32.4	34.6
Anomalies of fetus, placenta or cord	56	80	94	8.3	9.2	10.4
Deaths of fetus by injury or other causes	116	190	219	17.3	21.9	24.1
Abortion, miscarriage or premature birth	62	109	65	9.2	12.5	7.2
Other specified causes	74	92	100	11.0	10.6	11.0
Cause unspecified or unknown	158	116	115	23.5	13.3	12.7

SECTION III

* * * * *

CANCER MORTALITY

TABLE 41

CANCER MORTALITY RATES PER 100,000 ESTIMATED POPULATION, BY PRIMARY SITE,
STATE OF WASHINGTON RESIDENTS: 1940 - 1947

Int. List No.	Primary Site of Cancer	1947	1946	1945	1944	1943	1942	1941	1940
45	Cancer of buccal cavity and pharynx	3.3	3.1	2.4	3.2	3.4	2.6	3.9	3.8
46	Cancer of digestive organs and peritoneum	61.2	59.4	61.7	62.5	60.7	62.9	63.0	70.3
47	Cancer of respiratory system	12.8	10.0	8.0	8.1	8.9	8.3	8.4	7.9
48	Cancer of uterus	11.6	10.9	12.0	10.5	9.9	10.8	11.9	13.1
49	Cancer of other female genital organs	4.9	4.5	4.4	4.2	3.6	3.3	4.2	3.6
50	Cancer of breast	15.4	13.0	13.0	12.0	11.8	12.9	11.3	14.2
51	Cancer of male genital organs	9.2	10.4	8.8	9.5	9.4	9.7	9.6	10.4
52	Cancer of urinary organs	7.0	6.6	6.6	5.6	6.5	6.4	6.1	7.5
53	Cancer of skin (except vulva and scrotum)	2.5	2.5	2.1	1.7	1.3	1.2	1.4	2.1
54	Cancer of brain and other parts of central nervous system	3.3	3.1	2.6	3.0	3.6	2.7	3.4	3.4
55	Cancer of other and unspecified organs	11.8	12.0	10.8	9.9	10.2	9.9	10.4	8.1
	All sites	143.2	135.4	132.4	130.1	129.3	130.7	133.6	144.4

TABLE 42

NUMBER OF CANCER DEATHS, BY PRIMARY SITE, TO RESIDENTS OF THE STATE OF WASHINGTON,
1940 - 1947

Int. List No.	Primary Site of Cancer	1947	1946	1945	1944	1943	1942	1941	1940
45	CANCER OF BUCCAL CAVITY AND PHARYNX	69	64	50	63	67	49	71	66
a.	Lip	9	6	7	9	12	9	15	16
b.	Tongue	24	22	6	15	11	10	15	17
c.	Mouth	7	9	5	6	9	8	12	5
d.	Jaw bone	15	10	11	12	17	14	12	11
e.	Unspecified parts of buccal cavity	2	-	-	2	5	3	5	8
f.	Pharynx	12	17	21	19	13	5	12	9
46	CANCER OF DIGESTIVE ORGANS AND PERITONEUM	1277	1217	1254	1242	1203	1191	1145	1223
a.	Esophagus	28	37	26	43	39	35	25	35
b.	Stomach	451	466	479	434	449	501	463	505
c.	Duodenum	6	5	5	5	5	7	5	7
d.	Rectum and anus	175	135	135	147	116	141	134	152
e.	Intestines (except duodenum and rectum)	297	294	298	317	314	273	261	299
f.	Liver and biliary passages	145	133	152	165	164	124	120	142
g.	Pancreas	142	118	133	115	107	103	130	75
h.	Mesentery and peritoneum	24	14	12	16	7	7	6	8
m.	Other and unspecified sites	9	15	14	-	2	-	1	-
47	CANCER OF RESPIRATORY SYSTEM	268	204	162	161	176	158	152	138
a.	Larynx	21	16	12	17	21	14	20	12
b.	Trachea	1	-	1	-	-	2	-	1
c.	Bronchus	105	63	52	43	20	3	6	12
d.	Lung	131	112	84	90	127	127	118	104
e.	Pleura	3	1	3	8	1	1	1	-
f.	Mediastinum and unspecified sites	7	12	10	3	7	11	7	9
48	CANCER OF UTERUS	243	223	243	208	196	205	217	228
a.	Cervix	130	94	101	79	83	106	95	108
b.	Other and unspecified sites	113	129	142	129	113	99	122	120

98

TABLE 42 (Cont.)
NUMBER OF CANCER DEATHS, BY PRIMARY SITE, TO RESIDENTS OF THE STATE OF WASHINGTON,
1940 - 1947

Int. list no.	Primary Site of Cancer	1947	1946	1945	1944	1943	1942	1941	1940
49	CANCER OF OTHER FEMALE GENITAL ORGANS	102	92	89	83	71	62	76	62
a.	Ovary	94	79	73	72	62	58	70	48
b.	Fallopian tube and parametrium	1	1	1	2	1	-	5	2
c.	Vagina	-	3	5	5	2	1	1	4
d.	Vulva	7	9	10	4	5	3	-	8
e.	Other and unspecified sites	-	-	-	-	1	-	-	-
50	CANCER OF BREAST	321	267	264	238	234	245	205	248
51	CANCER OF MALE GENITAL ORGANS	192	213	178	188	186	183	175	181
a.	Scrotum	-	-	-	2	2	2	1	2
b.	Prostate	181	196	167	175	161	170	165	167
c.	Testes	9	13	8	8	14	8	8	9
d.	Penis	2	4	3	3	9	3	1	3
e.	Other and unspecified sites	-	-	-	-	-	-	-	-
52	CANCER OF URINARY ORGANS	147	136	135	112	129	122	110	130
a.	Kidney	55	47	49	38	38	34	33	50
b.	Bladder	91	88	84	74	90	86	75	77
c.	Other and unspecified sites	1	1	2	-	1	2	2	3
53	CANCER OF SKIN (EXCEPT VULVA AND SCROTUM)	53	52	43	33	26	23	25	38
54	CANCER OF BRAIN AND OTHER PARTS OF CENTRAL NERVOUS SYSTEM	69	63	54	60	72	52	62	60
a.	Glioma	42	40	30	28	40	20	29	26
b.	Other and unspecified cancers of brain and cen. nervous sys.	27	23	24	32	32	32	33	34
55	CANCER OF OTHER AND UNSPECIFIED ORGANS	246	245	220	197	203	187	190	141
a.	Adrenal gland	2	2	6	4	3	1	1	2
b.	Bone (except jaw bone and accessory sinuses)	36	34	26	24	21	15	26	25
c.	Thyroid gland	20	21	20	17	10	18	7	6
d.	Nasal cavity and accessory sinuses	8	7	10	3	7	6	8	9
e.	Other and unspecified organs	180	181	158	149	162	147	148	99
	ALL SITES	2987	2776	2692	2585	2563	2477	2428	2515

TABLE 42. -- DEATHS FROM CANCER AND OTHER MALIGNANT TUMORS IN THE COUNTIES AND MAJOR CITIES OF THE STATE OF WASHINGTON, BY SEX AND AGE GROUPS, ALLOCATED TO RESIDENCE OF DECEDENT, 1947

County or City	All Ages		Under 15 years		15 to 24 years		25 to 34 years		35 to 44 years		45 to 54 years		55 to 64 years		65 to 74 years		75 and over	
	M	F	M	F	M	F	M	F	M	F	M	F	M	F	M	F	M	F
Adams	5	1											2					
Asotin	3	13			1								2		2			
Benton	8	8				1							1		1			
Rural	8	5			1								1		1			
Richland	0	3				1							2		5			
Chelan	16	15				1							2		1			
Rural	6	9				2							7		4			
Wenatchee	10	6				1							2		6			
Clallam	16	10				5							3		1			
Rural	8	3			1	2							5		2			
Port Angeles	8	7				3							2		4			
Clark	44	49				4		1					9		7			
Rural	22	27				2		1					4		5			
Vancouver	22	22				2							5		2			
Columbia	3	4											1		1			
Cowlitz	26	30		1		4		3					3		10			
Rural	19	17		1		2		1					2		7			
Longview	7	13				2							3		3			
Douglas	3	5				2							2		1			
Ferry	4	4											2		1			
Franklin	6	6											2		2			
Garfield	3	3											1		1			
Grant	9	5											2		3			
Grays Harbor	53	35		1		2							16		17			
Rural	13	10				1							7		13			
Aberdeen	29	19		1		3							12		4			
Hoquiam	11	6											4		6			
Island	7	3											3		2			
Jefferson	3	6											2		4			
King	495	525		4	3	49							148		157			
Rural	115	125		2	1	9							32		44			
Renton	6	10				6							2		3			
Seattle	574	390		2	2	5							114		110			
Kitsap	46	43				4							15		11			
Rural	29	25				1							9		8			
Bremerton	17	18		1		3							6		5			

TABLE 43 DEATHS FROM CANCER AND OTHER MALIGNANT TUMORS IN THE COUNTIES AND MAJOR CITIES OF THE STATE OF WASHINGTON, BY SEX AND AGE GROUPS, ALLOCATED TO RESIDENCE OF DECEDENT, 1947

County or City	All Ages		Under 15 years		15 to 24 years		25 to 34 years		35 to 44 years		45 to 54 years		55 to 64 years		65 to 74 years		75 and over	
	M	F	M	F	M	F	M	F	M	F	M	F	M	F	M	F	M	F
Kittitas	17	7	1															
Klickitat	6	7																
Lewis	31	22		1					2									
Lincoln	14	2	1															
Mason	11	8																
Okanogan	10	9		1														
Pacific	12	14																
Pend Oreille	2	7																
Pierce	170	179	2	3	2		1	8	5	10	20	27	37	44	48	38	55	49
Rural	57	46	2	1				2	2	2	7	9	7	11	15	9	23	12
Puyallup	8	4						6	3	7	13	18	28	31	29	28	4	1
Tacoma	105	129		2	2													
San Juan	2	2			1													
Skagit	27	22		1														
Skamania	4	3																
Snohomish	82	66	1		2		2	2	1	7	5	10	20	15	35	15	16	16
Rural	45	47	1		1		1	1	1	4	3	8	8	9	21	14	10	10
Everett	37	19			1		1	1	1	3	2	2	12	6	14	1	6	6
Spokane	151	140	4		1		4	4	3	5	17	19	39	27	48	43	37	41
Rural	36	32	2				1	1	3	2	2	2	10	4	9	14	13	10
Spokane	115	108	2		1		2	3	3	4	15	17	29	23	39	29	24	31
Stevens	12	8							1	2		1	3	1	5	1	3	3
Thurston	27	32					1			4	1	5	6	8	11	10	9	4
Rural	17	11																
Olympia	10	21					1											
Wahkiakum	2	3																
Walla Walla	15	21			1		1											
Rural	1	9																
Walla Walla	14	12			1		1											
Whatcom	66	54	1				3	6	3	6	5	6	11	8	23	19	20	13
Rural	26	20		1			1	3	1	3	3	3	5	3	7	5	8	5
Bellingham	40	34	1				1	1	2	3	2	3	6	5	16	14	12	8
Whitman	19	19																
Yakima	71	56					1	2	2	7	4	13	16	8	26	17	22	8
Rural	37	29		1			1	1	1	5	2	7	8	5	13	7	12	3
Yakima	34	27					1	1	1	2	2	6	8	3	13	10	10	5

TABLE 43 -- DEATHS FROM CANCER AND OTHER MALIGNANT TUMORS IN THE COUNTIES AND MAJOR CITIES OF THE STATE OF WASHINGTON, BY SEX AND AGE GROUPS, ALLOCATED TO RESIDENCE OF DECEASED, 1947

County or City	All Ages		Under 15 years		15 to 24 years		25 to 34 years		35 to 44 years		45 to 54 years		55 to 64 years		65 to 74 years		75 and over		
	M	F	M	F	M	F	M	F	M	F	M	F	M	F	M	F	M	F	
West. St. Cus. Sch.	1	2		1															
American Lake	4				1									2	1				
West. St. Hosp.	4	8				1					1		2	3	1	1	1	1	2
North. St. Hosp.	5	10				1					1		1	4	2	2	1	1	2
East. St. Hosp.	3	3											1		2	1			2
URBAN TOTAL	847	848	5	4	8	1	15	21	30	72	97	135	238	212	264	201	190	202	
RURAL TOTAL	671	621	11	8	4	8	12	17	21	48	57	92	159	149	214	169	193	130	
GRAND TOTAL	1518	1469	16	12	12	9	27	38	51	120	154	227	397	361	478	370	383	332	

SECTION IV

* * * *

TUBERCULOSIS MORBIDITY AND MORTALITY

TABLE 44

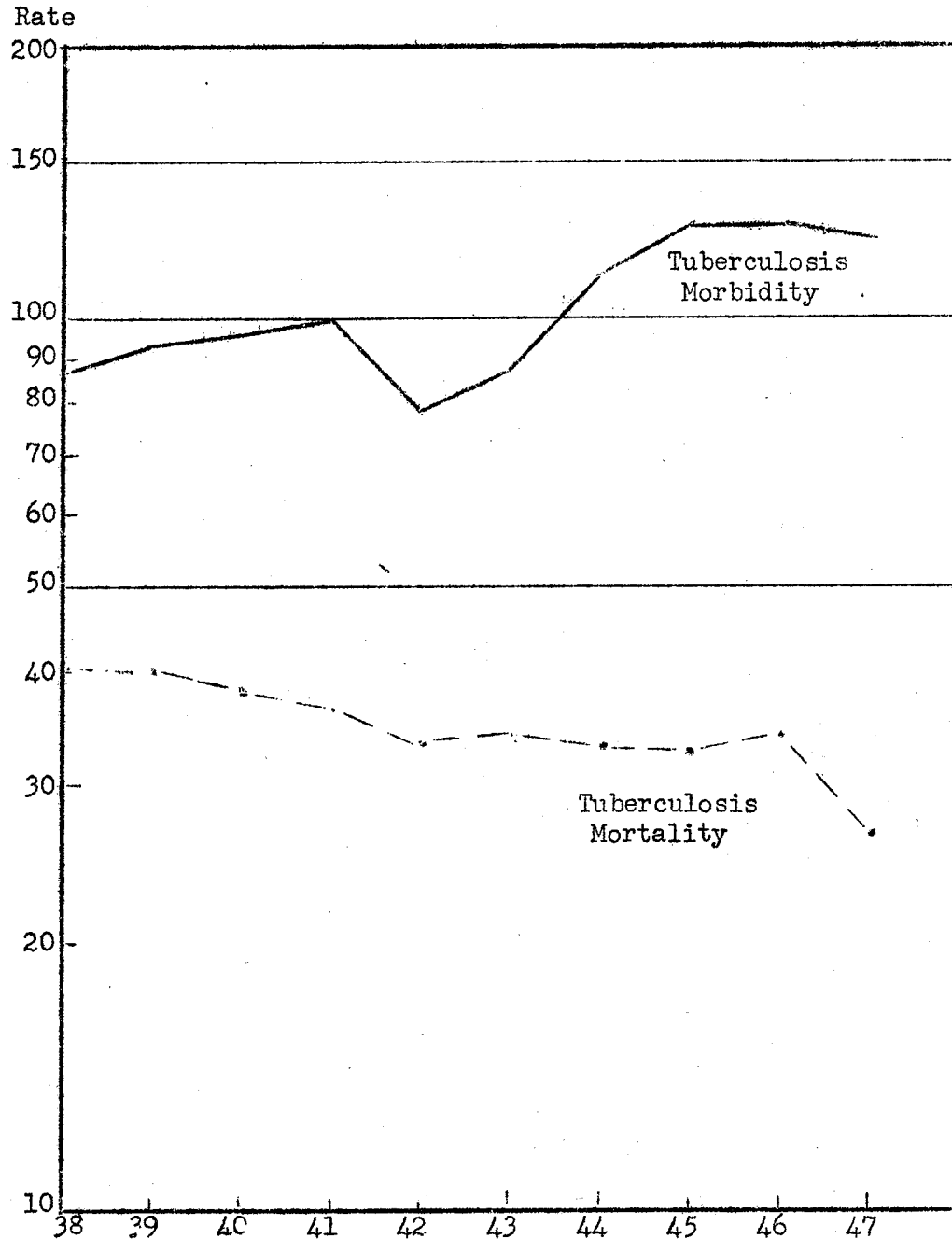
CASES OF TUBERCULOSIS REPORTED IN THE STATE OF WASHINGTON BY AGE, RACE AND SEX,
WITH MEDIAN AGE, 1947

Age Group	White		Negro		Indian		Chinese		Japanese		Other		Not stated		Totals			Grand Total
	M	F	M	F	M	F	M	F	M	F	M	F	M	F	M	F	Un- known	
Under 1 year	4				1							1			5	1		6
1 - 4 years	7	4	2		6	3					1	2			16	9		25
5 - 9 years	4	3			6	8	1								11	11		22
10 - 14 years	8	10		1	8	7								1	17	19		36
15 - 19 years	23	33			15	22	2	1	1					3	41	59		100
20 - 24 years	130	89	9	9	12	22	3		8	4			2	2	164	127		291
25 - 29 years	148	88	4		7	16	1				2	1	4	8	166	113		279
30 - 34 years	118	99	5	3	8	7	1	1	1				7	6	140	116		256
35 - 39 years	96	105	3	2	3	4	3		4	2	4		5	2	118	115		233
40 - 44 years	117	68	7		4	5	2		1	1	1		4	2	135	76		211
45 - 49 years	127	54	8	3	2	1	1				2		4	5	144	63	2	209
50 - 54 years	133	39	5		4	1	2		1				4	5	149	45		194
55 - 59 years	140	36	3		1				4	1			9		157	37		194
60 - 64 years	109	25			1	1	1	1	1	1	1		9	2	122	29	1	152
65 - 69 years	63	30			3	1			4				2		72	31		103
70 - 74 years	51	19			2		1	1	1				1	2	56	21	1	78
75 years and over	32	20	2		1		1								36	20		56
Unknown age	45	37	1				3		1	3			20	7	70	48	1	119
Total by sex	1,355	759	49	18	84	99	22	2	26	12	11	4	72	46	1,619	940	5	2,564
Median age	45.9	37.5	41.1	24.4	22.5	22.2	40.0	25.0	38.8	40.0	38.1	2.5	57.8	40.0	44.9	35.6	62.5	40.8

TABLE 45

TUBERCULOSIS DEATHS IN THE STATE OF WASHINGTON, BY AGE, RACE AND SEX, WITH MEDIAN AGE, ALLOCATED TO RESIDENCE OF DECEDENT, 1947

Age Group	White		Negro		Indian		Chinese		Japanese		Other		Not Stated		Totals		Grand Total	
	M	F	M	F	M	F	M	F	M	F	M	F	M	F	Un-known	F		Un-known
Under 1 year	3											1				3	1	4
1 - 4 years	4	2			2	1	1				1					8	4	12
5 - 9 years	1	1				1										1	2	3
10 - 14 years	2	2														2	2	4
15 - 19 years	6	5			3	3										9	8	17
20 - 24 years	2	7	1	2	2											5	9	14
25 - 29 years	16	18	3	2		3			1							20	23	43
30 - 34 years	18	23	4	3		3	1		1		1					25	29	54
35 - 39 years	22	15	2	1		3			2							26	19	45
40 - 44 years	23	14	4	1	1	1	1									29	16	45
45 - 49 years	33	6	4													37	6	43
50 - 54 years	39	9	3		1		1									44	9	53
55 - 59 years	49	8			1		1									51	8	59
60 - 64 years	50	6	1				1									52	6	58
65 - 69 years	29	9	1						1							31	9	40
70 - 74 years	24	9						1								25	9	34
75 years and over	17	10	1		1											19	10	29
Unknown age:																0	0	0
Total by sex	338	144	24	9	11	15	7	0	5	0	2	2	0	0	0	387	170	557
Median age	55.0	44.6	42.5	30.8	21.2	29.2	52.5	0	Median	age	not	age	not	calculated	53.2	36.8	49.4	



Rate per 100,000 estimated population	1938	1939	1940	1941	1942	1943	1944	1945	1946	1947
Morbidity	85.5	92.1	94.5	97.8	78.0	86.6	110.7	126.4	126.7	122.9
Mortality	40.5	40.2	38.2	36.5	33.5	34.0	32.9	32.8	34.2	26.7

FIGURE 14 -- TRENDS IN TUBERCULOSIS MORBIDITY AND MORTALITY RATES PER 100,000 ESTIMATED POPULATION, IN THE STATE OF WASHINGTON, 1938 - 1947

TABLE 46

REPORTED CASES OF PULMONARY TUBERCULOSIS, BY STAGE, AND NON-PULMONARY TUBERCULOSIS, BY COUNTY AND CITY OF RESIDENCE, STATE OF WASHINGTON, 1947

County or City	PULMONARY						Non-pulmonary	Tuberculosis (all forms)
	Minimal	Moderately advanced	Far advanced	Stage not stated	Pleurisy with effusion	Total		
Adams				1		1		1
Asotin	1	4	2			7		7
Benton	13	6	8	7	1	35	2	37
Rural	10	2	5	5	1	23		23
Richland	3	4	3	2		12	2	14
Chelan	5	11	3	4		23	2	25
Rural	2	8	1	2		13	1	14
Wenatchee	3	3	2	2		10	1	11
Clallam	17	7	2	4	1	31	7	38
Rural	9	4	2	4	1	20	6	26
Port Angeles	8	3				11	1	12
Clark	72	37	15	8	5	137	7	144
Rural	41	17	6	7	3	74	5	79
Vancouver	31	20	9	1	2	63	2	65
Columbia						0		0
Cowlitz	47	23	12	2	2	86	2	88
Rural	27	14	11	2		54	2	56
Longview	20	9	1		2	32		32
Douglas		2	1	1		4		4
Ferry			2			2		2
Franklin	5	5	1	2		13		13
Garfield	1			1		2		2
Grant		1	3	3		7		7
Grays Harbor	21	20	14	4	4	63	1	64
Rural	9	10	4	3	2	28		28
Aberdeen	5	9	9	1	2	26		26
Hoquiam	7	1	1			9	1	10
Island		1		1		2		2
Jefferson	5	1	2			8	1	9
King	185	236	196	104	13	734	61	795
Rural	33	46	26	20		125	9	134
Renton	3	5	4	1		13	1	14
Seattle	149	185	166	83	13	596	51	647
Kitsap	35	38	9	13		95	4	99
Rural	18	20	5	10		53	4	57
Bremerton	17	18	4	3		42		42
Kittitas	1			1		2	1	3
Klickitat	5	4	3	2		14		14
Lewis	2	7	4	4		17		17
Lincoln				1		1		1
Mason	1		4	2		7		7
Okanogan		1	5	5	1	12		12
Pacific	1	3	3	1		8		8
Pend Oreille		1	1			2		2
Pierce	73	56	38	32	2	201	6	207
Rural	22	15	7	14	1	59	1	60
Puyallup	6	2	3			11		11
Tacoma	45	39	28	18	1	131	5	136

TABLE 46 (Cont.)

REPORTED CASES OF PULMONARY TUBERCULOSIS, BY STAGE, AND NON-PULMONARY TUBERCULOSIS,
BY COUNTY AND CITY OF RESIDENCE, STATE OF WASHINGTON, 1947

County or City	PULMONARY					Total	Non-pulmonary	Tuberculosis (all forms)
	Minimal	Moderately advanced	Far advanced	Stage not stated	Fleuri-sy with effusion			
San Juan				1		1		1
Skagit	18	13	7	6	1	45	3	48
Skamania			1	1		2		2
Snohomish	17	16	7	16	2	58	7	65
Rural	12	9	4	11	2	38	3	41
Everett	5	7	3	5		20	4	24
Spokane	15	10	26	32	2	85	2	87
Rural	4	1	4	1	2	12		12
Spokane	11	9	22	31		73	2	75
Stevens	1		2	3		6		6
Thurston	10	12	6	4	1	33	1	34
Rural	6	6	3	3	1	19		19
Olympia	4	6	3	1		14	1	15
Wahkiakum	2	3				5	1	6
Walla Walla	6	14	8	4	1	33	2	35
Rural	2	3		3		8	1	9
Walla Walla	4	11	8	1	1	25	1	26
Whatcom	25	22	17	9	3	76	6	82
Rural	14	11	6	5	3	39	3	42
Bellingham	11	11	11	4		37	3	40
Whitman	13	10	4	5	2	34		34
Yakima	9	3	5	57		74	11	85
Rural	5	3	4	36		48	10	58
Yakima	4		1	21		26	1	27
West. St. Cus.Sch.**		4	2	4		10	1	11
West. St. Hosp.*	7	7	2	8		24		24
North. St. Hosp.*		1	2	41		44	1	45
East. St. Hosp.*		1		5		6		6
Out of State**	72	146	102	34	1	355	30	385
URBAN TOTAL	336	342	278	174	21	1151	76	1227
RURAL TOTAL	277	238	139	225	20	899	53	952
GRAND TOTAL	685	726	519	433	42	2405	159	2564

* Institutional cases included in Rural and Grand Totals only.

** Out of State cases included in Grand Totals only.

TABLE 47

CASES OF PULMONARY TUBERCULOSIS BY EXTENT OF LESION AND NON-PULMONARY TUBERCULOSIS WITH PERCENT OF TOTAL, REPORTED FOR THREE YEARS, STATE OF WASHINGTON, 1945 - 1947

Extent of Lesion	1945	1946	1947	3 yr Total	Percent of Total
All causes	2566	2597	2564	7727	100.0
Pulmonary	2283	2405	2405	7093	91.8
Minimal	613	653	685	1951	27.5
Moderately advanced	615	692	726	2033	28.7
Far advanced	475	573	519	1567	22.1
Extent not stated	529	437	433	1399	19.7
Pleurisy with effusion	51	50	42	143	2.0
Non-Pulmonary	154	191	159	504	6.5
Unknown and not stated	129	1	0	130	1.7

TABLE 48

REPORTED CASES OF TUBERCULOSIS IN THE STATE OF WASHINGTON, FOR THREE YEARS, BY AGE GROUP, WITH PERCENT OF TOTAL, 1945 - 1947

Age Group	Number of Cases			Percent of Total		
	1945	1946	1947	1945	1946	1947
All ages	2566	2597	2564	100.0	100.0	100.0
Under 1 year	6	8	6	0.2	0.3	0.2
1 - 4 years	28	28	25	1.1	1.1	1.0
5 - 9 years	38	30	22	1.5	1.2	0.8
10 - 14 years	47	38	36	1.8	1.5	1.4
15 - 19 years	164	156	100	6.4	6.0	3.9
20 - 24 years	318	302	291	12.4	11.6	11.3
25 - 29 years	331	288	279	12.9	11.1	10.9
30 - 34 years	277	248	256	10.8	9.5	10.0
35 - 39 years	263	241	233	10.2	9.3	9.1
40 - 44 years	179	197	211	7.0	7.6	8.2
45 - 49 years	191	186	209	7.4	7.2	8.2
50 - 54 years	174	196	194	6.8	7.5	7.6
55 - 59 years	151	187	154	5.9	7.2	5.9
60 - 64 years	141	160	152	5.5	6.2	5.9
65 - 69 years	73	98	103	2.8	3.8	4.0
70 - 74 years	47	70	78	1.8	2.7	3.0
75 and over	31	82	56	1.2	3.2	2.2
Unknown	107	82	119	4.2	3.2	4.6

TABLE 49 - REPORTED CASES OF TUBERCULOSIS (ALL FORMS), IN THE COUNTIES AND MAJOR CITIES OF THE STATE OF WASHINGTON, BY AGE GROUPS, 1947

County or City	Un-der 1 yr	1 to 4	5 to 9	10 to 14	15 to 19	20 to 24	25 to 29	30 to 34	35 to 39	40 to 44	45 to 49	50 to 54	55 to 59	60 to 64	65 to 69	70 to 74	75 and over	Un-known	Total
Adams						1													1
Asotin			1			2	1					1				2			7
Benton					2	3	4	6	3	9	5	1	2			1		1	37
Rural Benton					1	1		6	1	7	4	1	2						23
Richland					1	2	4		2	2	1				1			1	14
Chelan	1				1	3	1	5	5	2	3	1	1	1					25
Rural Chelan	1				1	2		3	2	1	2	1	1						14
Wenatchee						1	1	2	3	1	1			1	1				11
Clallam	1	5		2	3	4	2	2	1	5	3	2	2		1	1	1	3	38
Rural Clallam	1	1	4	2	3	4	1	2	1	4		2	1		1				26
Port Angeles			1				1			1	3		1		1				12
Clark				2	4	10	12	12	14	19	15	9	11	7	3	3	3	20	144
Rural Clark				1	2	5	8	6	9	9	9	4	5	5	1	2	1	12	79
Vancouver				1	2	5	4	6	5	10	6	5	6	2	2	1	2	8	65
Columbia																			0
Cowlitz					1	5	7	9	9	8	9	12	6	2	2	3		15	88
Rural Cowlitz					1	4	4	7	5	4	3	7	4	2	1	2		12	56
Longview						1	3	2	4	4	6	5	2		1	1		3	32
Douglas								2			1							1	4
Ferry									1							1			2
Franklin				1				1	2		2	1	1	1	2	1	1		13
Garfield							1							1					2
Grant					1			3	1	1							1		7
Grays Harbor					4	8	5	10	8	5	5	5	1	5	3	4	1		64
Rural Grays Harbor				1	4	1	3	3	5	3	3	1	1	2	1	1			28
Aberdeen						4	2	5	2	2	2	3	3	2	2	2			26
Hoquiam						3		2	1			1		1	1	1			10
Island													1				1		2
Jefferson					1			1	1	1		1	1	1	1			2	9
King	4	13	4	6	27	98	77	73	79	70	67	55	63	65	34	14	15	31	795
Rural King	2	5		1	7	17	16	16	14	7	8	8	6	10	4	2	5	6	134
Renton		1			1	3	1	3		1				1	1			2	14
Seattle	2	7	4	5	19	78	60	54	65	62	59	47	57	54	29	12	10	23	647
Kitsap	1				4	10	7	10	12	17	8	6	9	6	2	1	1	5	99
Rural Kitsap	1				3	5	2	5	7	5	6	3	7	6	1	1	1	4	57
Bremerton					1	5	5	5	5	12	2	3	2		1			1	42

TABLE 49 -- REPORTED CASES OF TUBERCULOSIS (ALL FORMS, IN THE COUNTIES AND MAJOR CITIES OF THE STATE OF WASHINGTON, BY AGE GROUPS, 1947

County or City	Un-der 1 yr	1 to 4	5 to 9	10 to 14	15 to 19	20 to 24	25 to 29	30 to 34	35 to 39	40 to 44	45 to 49	50 to 54	55 to 59	60 to 64	65 to 69	70 to 74	75 and over	Un-known	Total
Kittitas				1			2					2							3
Klickitat		1	1	1	1	1	1	3	1	1		2	3						14
Lewis			2	3		3	5	1			1	1		2	1		1		17
Lincoln																1			1
Mason				1	1	1	1	1	1										7
Okanogen	1			1		2	2				1	2	1		1			1	12
Pacific							2	1		1	1			2	1				8
Pend Oreille							1					1							2
Pierce		1	2	1	2	20	16	27	15	16	11	20	12	16	20	14	9	8	207
Rural		1		5	7	5	7	7	4	4	4	6	2	8	2	5	4	1	60
Puyallup				1	2	1	2	1	1	1	1	1	1	1	1	1	1		11
Tacoma			1	14	7	19	11	12	11	12	6	13	9	7	17	9	4	7	136
San Juan																			1
Skagit		2		7	6	7	6	3	5	2	6	2	5	1	4	1		2	48
Skamania				1		1	1	1											2
Snohomish				3	3	5	7	7	7	4	3	5	10	6	4	2	2		65
Rural				3	3	1	4	5	3	4	2	3	9	3	2	2	2		41
Everett				4	3	4	3	2	4	1	1	2	1	3	2	2			24
Spokane		1	1	9	12	6	11	8	11	8	8	7	5	3	5	6	1	4	87
Rural		1		1	3	2	1	1	1	1	1	1			2				12
Spokane			1	8	9	4	10	7	10	7	8	6	5	3	3	6	1	4	75
Stevens				1	1	1	1	1					1		1	1			6
Thurston				2	2	2	2	7	4	2	4	3	5	3		1			34
Rural				1		1		4	2	2	3	1	3	1					19
Olympia				1	2	1	2	3	2	1	1	2	2	2					15
Wahkiakum				1	1	1	1	2	2									2	6
Walla Walla		1	1	4	2	4	2	7	2	3	5	2	4	1	1	1		1	35
Rural				2		2		2			1	1		1	1			1	9
Walla Walla		1	1	2	2	2	2	5	2	3	4	1	4	1					26
Whatcom	1			4	5	3	9	8	11	5	6	4	3	6	2	3	1	11	82
Rural				3	4	2		5	8	5	4	4	2	1	1	2		6	42
Bellingham	1			1	1	1	9	8	3	2	2	1	1	5	1	1		5	40
Whitman		1	1	1	1	1	1	1	6	2		1	4	3	4	2		5	34
Yakima	1	4		3	6	10	12	7	4	2	6	11	5	7	2		3	2	85
Rural	1	3		2	6	6	9	7	2	1	4	5	4	5	1		1	1	58
Yakima		1		1		4	3		2	1	2	6	1	2	1		2	1	27

TABLE 49 - REPORTED CASES OF TUBERCULOSIS (ALL FORMS) IN THE COUNTIES AND MAJOR CITIES OF THE STATE OF WASHINGTON, BY AGE GROUPS, 1947

County or City	Un-der 1 yr	1 to 4	5 to 9	10 to 14	15 to 19	20 to 24	25 to 29	30 to 34	35 to 39	40 to 44	45 to 49	50 to 54	55 to 59	60 to 64	65 to 69	70 to 74	75 and over	Un-known	Total
West. St. Cus. Sch.				2	3		2		1		2		1						11
West. State Hosp.						1		1		2	2	4	2	3	1	2	6		24
North. State Hosp.						2	1	6	7	3	2	2	2	5	2	6	6	1	45
East. State Hosp.							2				1		2		1				6
Out of State*	1	2	9	8	26	71	73	35	20	23	31	34	31	5	4	7	1	4	385
URBAN TOTAL	2	10	5	9	29	137	118	121	121	118	105	95	92	85	64	36	22	58	1227
RURAL TOTAL	3	13	8	19	45	83	88	100	92	70	73	65	71	62	35	35	33	57	952
GRAND TOTAL	6	25	22	36	100	291	279	256	233	211	209	194	194	152	103	78	56	119	2564
Percent of Total	0.2	1.0	0.8	1.4	3.9	11.3	10.9	10.0	9.1	8.2	8.2	7.6	7.6	5.9	4.0	3.0	2.2	4.6	100.0

* Included in Grand Totals.

TABLE 50 - DEATHS FROM TUBERCULOSIS (ALL FORMS) IN THE COUNTIES AND MAJOR CITIES OF THE STATE OF WASHINGTON,
BY AGE GROUPS, ALLOCATED TO RESIDENCE OF DECEDENT, 1947

County or City	Un-der 1 yr	1 to 4	5 to 9	10 to 14	15 to 19	20 to 24	25 to 29	30 to 34	35 to 39	40 to 44	45 to 49	50 to 54	55 to 59	60 to 64	65 to 69	70 to 74	75 and over	Total
Adams																		1
Asotin									1						1			2
Benton								1										1
Rural								1										1
Richland																		0
Chelan							1	2		1								4
Rural							1	1		1								3
Wenatchee								1										1
Clallam				2	2	1	1	1			1							6
Rural				2	2	1	1	1										4
Port Angeles							1	1			1							2
Clark				1			2		1	1	1			3		1		10
Rural				1			1		1	1	1			2		1		8
Vancouver							1	1						1				2
Columbia																		0
Cowlitz		1		1	1	1	1	1	1	1	2			1	1	1		10
Rural		1		1	1	1	1	1	1	1	1			1	1	1		7
Longview									1		1				1			3
Douglas								1										1
Ferry																		0
Franklin										2						1		3
Garfield																		0
Grant								1									1	2
Grays Harbor							2	3					3	4	2	3		17
Rural							2						1	1				4
Aberdeen								3					2	2	1	1		9
Hogiam																2		4
Island							1							1	1			1
Jefferson																		2
King	2	5	2	3	5	17	15	17	17	20	18	27	23	21	12	7	6	200
Rural	1	2	1	2	1	3	3	3	3	2	1	3	6	4	3	1	3	39
Benton							2							1	2			6
Seattle	1	3	1	1	3	10	10	14	14	18	17	24	17	16	7	6	3	155
Kitsap		1	1				3	1	2	2					2			11
Rural		1	1				2	1	2	1					1			8
Bremerton							1			1					1			3

TABLE 50 - DEATHS FROM TUBERCULOSIS (ALL FORMS) IN 1. COUNTIES AND MAJOR CITIES OF THE STATE OF WASHINGTON, BY AGE GROUPS, ALLOCATED TO RESIDENCE OF DECEDENT, 1947

County or City	Un-der 1 yr	1 to 4	5 to 9	10 to 14	15 to 19	20 to 24	25 to 29	30 to 34	35 to 39	40 to 44	45 to 49	50 to 54	55 to 59	60 to 64	65 to 69	70 to 74	75 and over	Total	
Kittitas							1			1				1			1	4	
Klickitat														1				1	
Lewis	1						1				1			1				7	
Linn																		0	
Mason																		1	
Okanogan		1	1									1						8	
Pacific		1																3	
Pend Oreille																		0	
Pierce					2	1	2	6	3	4	3	6	3	7	7	6	6	56	
Rural							1	4	2	1	2	1		3		4	1	19	
Puyallup					2	1	1	2	1	3	1	5	3	4	7	2	5	37	
Tacoma														1				0	
San Juan						1	2					2						6	
Skagit																		0	
Skamania						1	2	2	2					3	3	1	1	23	
Spokane						1	1	1	1			1	4	2				11	
Rural						1	1	1	1		1	1	1	1	1	1		12	
Everett						1	1	2	3	4	2	4	6	4	2	4		32	
Spokane							1	1	1	1	1	4	6	1	1			5	
Rural							1	2	2	3	2	4	1	3	1	4		27	
Spokane						1	1	1	2	1	1	1	1	3	1			5	
Stevens						1	1	2	1	1	1							4	
Thurston																			
Rural									2	1	1							4	
Olympia									1	1	1							1	
Wahkiakum									1	1								3	
Walla Walla									1									0	
Rural									1		1	3	1		2			8	
Walla Walla											1	1			1			3	
Whatcom									1	1	2	2	1	1	2	1	1	14	
Rural									1	1	1		1					6	
Bellingham									1		1			1	2			8	
Whitman																		1	
Yakima	1	2			4	1	1	3	6	2	2	2	3	4			1	32	
Rural	1	1			4	1	1	3	5	2	2	2	1	4			1	26	
Yakima									1				2				1	6	

TABLE 50 - DEATHS FROM TUBERCULOSIS (ALL FORMS) IN THE COUNTIES AND MAJOR CITIES OF THE STATE OF WASHINGTON,
 BY AGE GROUPS, ALLOCATED TO RESIDENCE OF DECEDENT, 1947

County or City	Un-der 1 yr	1 to 4	5 to 9	10 to 14	15 to 19	20 to 24	25 to 29	30 to 34	35 to 39	40 to 44	45 to 49	50 to 54	55 to 59	60 to 64	65 to 69	70 to 74	75 and over	Total
East.St.Cus.Sch		1		4			2				1							8
American Lake								1			2	1	1	1		2		8
West.St.Hosp.				1		1		2		1	1	2	1	3	3	3	2	20
North.St.Hosp.							1	5	4	3	3		5	1	1	4	7	34
East.St.Hosp.					1		1	2				1	3	1		1	1	11
URBAN TOTAL	1	5	1	1	3	7	18	22	23	26	25	36	32	30	27	16	10	283
RURAL TOTAL	3	7	2	3	14	7	25	32	22	19	18	17	27	28	13	18	19	274
GRAND TOTAL	4	12	3	4	17	14	43	54	45	45	43	53	59	58	40	34	29	557

A Study of Tuberculosis Mortality Rates by Age Specificity in the United States and the State of Washington for the year 1910, 1920, 1930 and 1940

In Table 51 are presented the age-specific tuberculosis death rates per 100,000 population for the United States and the State of Washington. It may be observed from this table that the specific rates for the United States have been generally higher for each of these censal years than the comparable rates for the State.

From this same table it may be observed that the age group 25 - 34 years had the highest specific rates for the United States during the years 1910 and 1920, with rates of 217.6 and 164.9 respectively. For the State of Washington, the age group 75 years and over had the highest rate for the year 1910, but the 25 - 34 year age group had the highest rate for the State in 1920.

The general trend of tuberculosis to claim its victims from older age groups in the years 1930 and 1940 can be observed from the United States rates of 111.7 for a year 1930 in the age group 65 - 74 years and 80.8 for this same age group in 1940.

The State of Washington tended to veer from the national pattern as is shown by a specific rate of 68.2 in the 35 - 44 year age group, but returned to the general trend again in 1940 when the age group 65 - 74 years had the highest specific rate, 76.1.

In Figure 15 is presented the age-specific trends for the United States and the State of Washington in 1910 and 1940. Here again can be observed the disparity between the United States and the State age groups succumbing to this disease. The trends for age-specific death rates for 1940 show that tuberculosis is becoming more pronounced in the advanced age group.

In Figure 16 are shown the age-specific death rate trends in the State of Washington for the years 1910 and 1940. Here also may be observed the cohorts for the years 1910 and 1920. Cohorts indicate those persons born in a given year who

survive a disease only to succumb to the disease at a latter period in life, even though the rate of risk experienced during the year of death may not have been as great as the risk through the periods for which they have survived.

Figure 17 portrays the cohorts for the United States and the State of Washington for the periods 1910 and 1920. The trends indicating high tuberculosis specific death rates do not, however, represent a postponement of the maximum risks to the later periods of life, but do indicate that the present rates are the residuals of the high risks during the early life periods of these individuals.

TABLE 51

AGE-SPECIFIC DEATH RATES PER 100,000 ESTIMATED POPULATION FROM TUBERCULOSIS
(ALL FORMS), UNITED STATES AND STATE OF WASHINGTON
FOR THE YEARS 1910, 1920, 1930 AND 1940

Age Groups	AGE-SPECIFIC DEATH RATES BY YEARS							
	1910		1920		1930		1940	
	United States	Wash- ington	United States	Wash- ington	United States	Wash- ington	United States	Wash- ington
Under 1 year	212.9	135.9	106.5	105.4	51.6	28.6	24.6	8.2
1 - 4 years	84.6	67.4	45.4	62.9	25.9	35.8	12.3	16.4
5 - 14 years	29.7	30.9	22.4	28.6	11.9	23.3	5.5	8.2
15 - 24 years	152.0	134.7	136.1	131.7	77.3	58.5	38.2	31.8
25 - 34 years	217.6	124.7	164.9	139.5	102.8	58.6	56.3	49.8
35 - 44 years	214.9	120.4	147.4	133.8	92.4	68.2	59.4	41.5
45 - 54 years	188.1	98.5	137.2	125.2	93.2	60.3	66.3	54.2
5 - 64 years	192.9	91.4	141.3	134.9	97.0	44.2	76.1	59.1
65 - 74 years	203.5	143.3	163.8	107.6	111.7	73.1	80.8	76.1
75 years and over	179.0	172.1	154.2	42.8	110.0	47.2	77.8	54.4
All ages	153.8	108.8	113.1	99.2	71.1	58.9	45.9	40.7

TABLE 52

AGE GROUPS HAVING THE HIGHEST SPECIFIC DEATH RATES FROM TUBERCULOSIS
(ALL FORMS), UNITED STATES AND STATE OF WASHINGTON
FOR THE YEARS 1910, 1920, 1930 AND 1940

Age Groups	1910		1920		1930		1940	
	United States	Wash- ington	United States	Wash- ington	United States	Wash- ington	United States	Wash- ington
25 - 34 years	217.6		164.9	139.5				
35 - 44 years						68.2		
65 - 74 years					111.7		80.8	76.1
5 years and over		172.1						

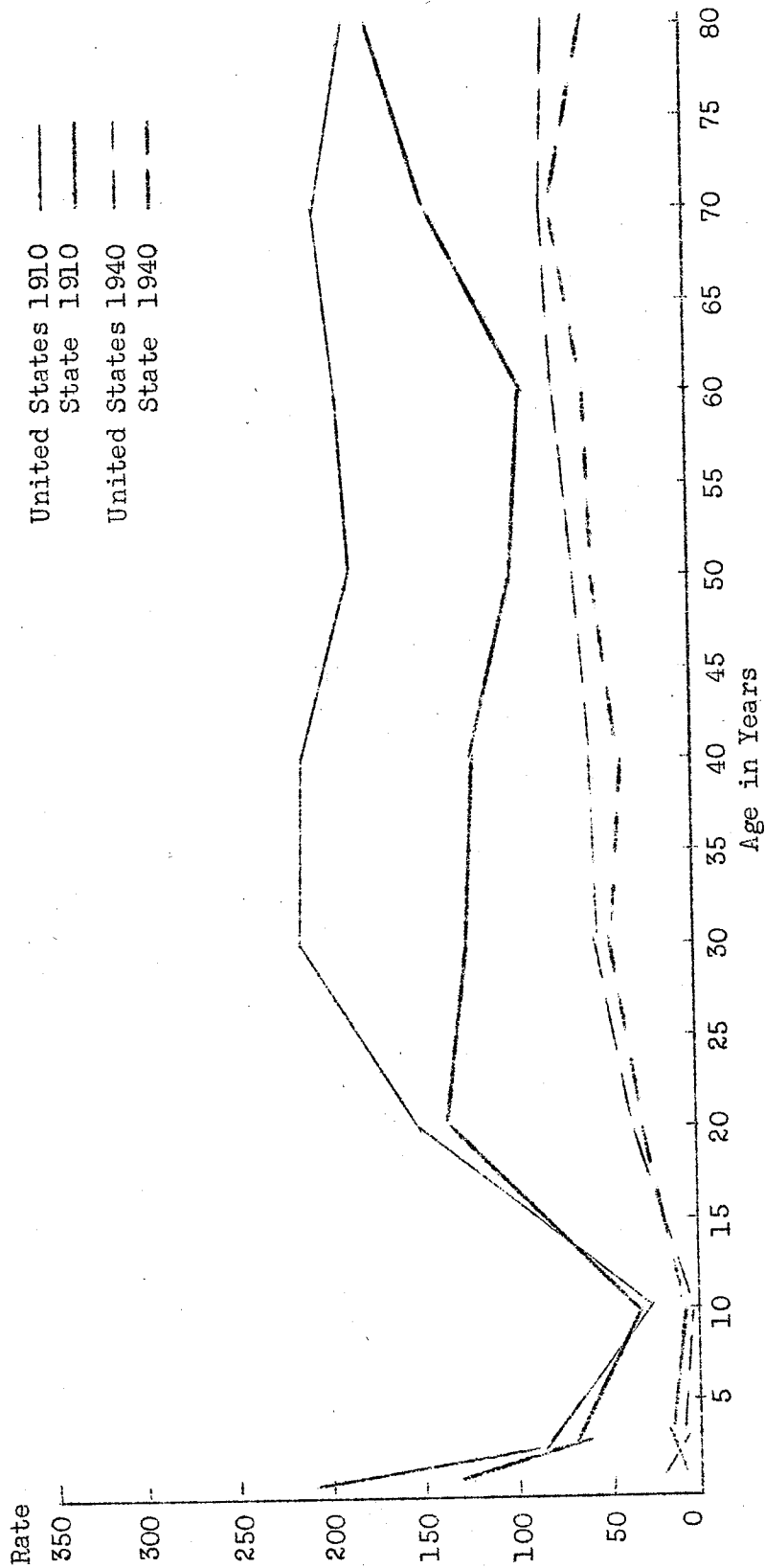


FIGURE 15 - AGE-SPECIFIC DEATH RATES PER 100,000 ESTIMATED POPULATION, TUBERCULOSIS (ALL FORMS), UNITED STATES AND THE STATE OF WASHINGTON, FOR THE YEARS 1910 AND 1940

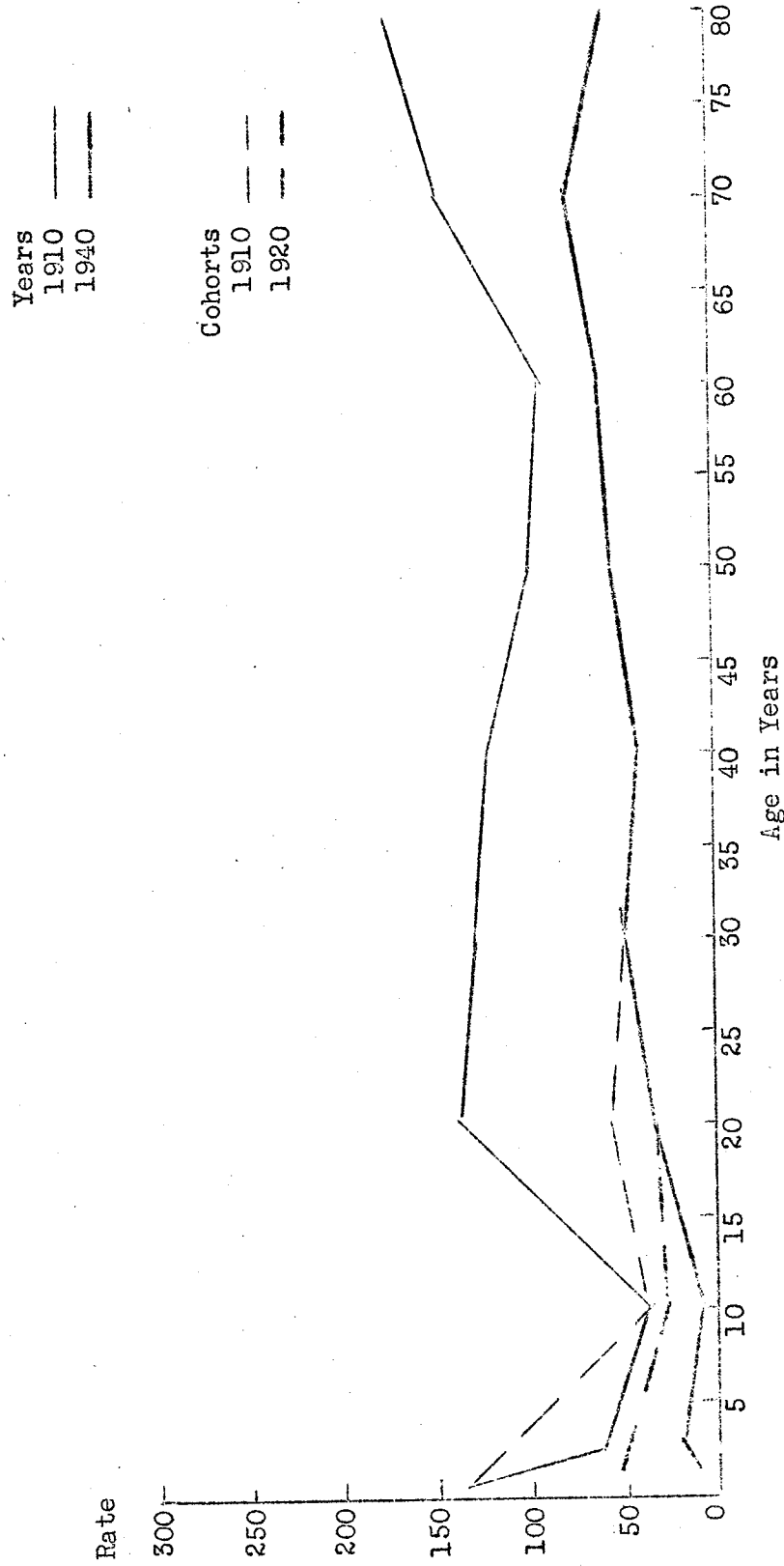


FIGURE 16 - AGE-SPECIFIC DEATH RATES PER 100,000 ESTIMATED POPULATION, TUBERCULOSIS (ALL FORMS), STATE OF WASHINGTON, FOR THE YEARS 1910 AND 1940, WITH COHORTS OF THE YEARS 1910 AND 1920

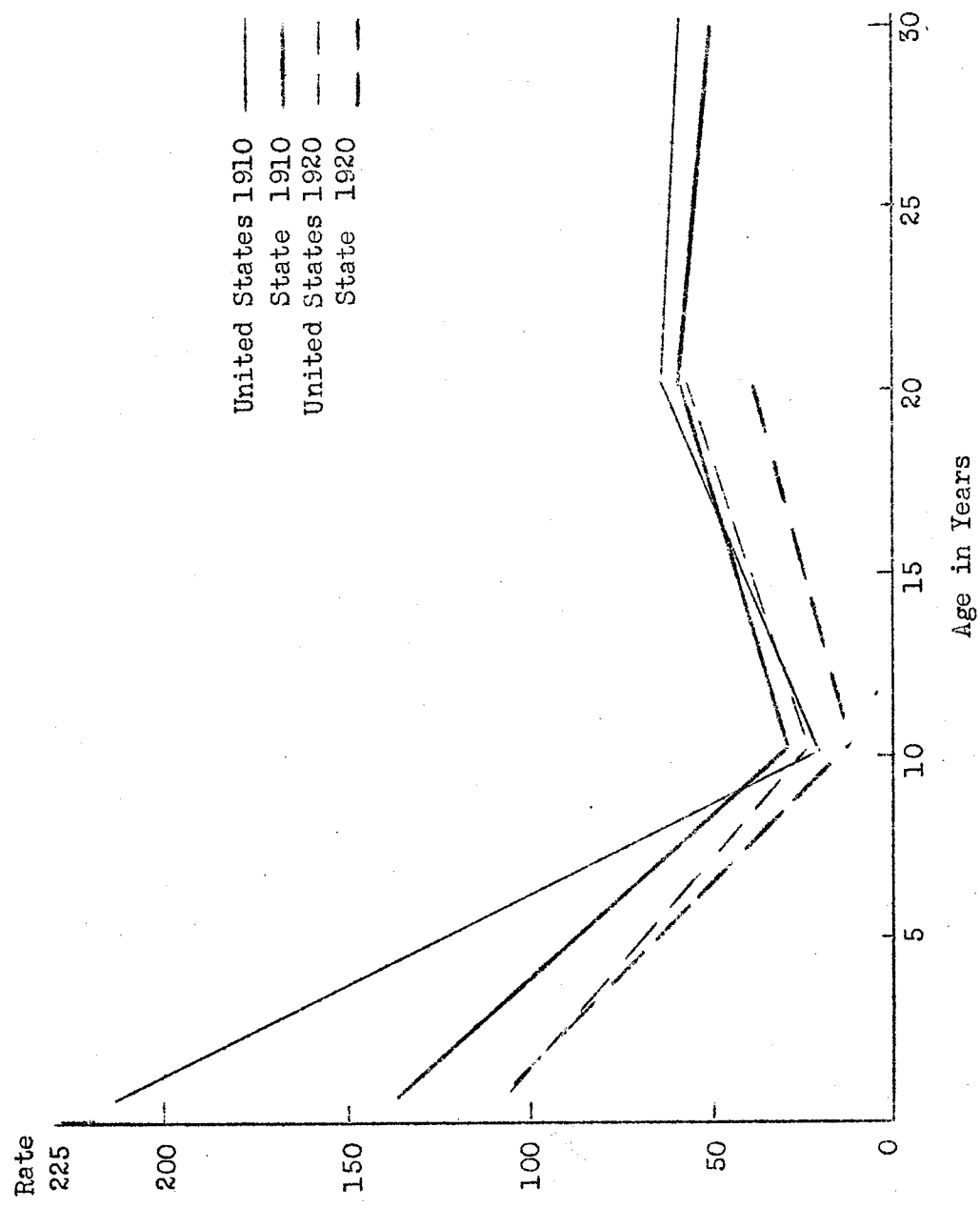


FIGURE 17 - COHORTS OF THE YEARS 1910 - 1920, TUBERCULOSIS (ALL FORMS), FOR THE UNITED STATES AND WASHINGTON STATE, BASED ON AGE-SPECIFIC DEATH RATES PER 100,000 ESTIMATED POPULATION

SECTION V

* * * *

COMMUNICABLE DISEASE
MORBIDITY AND MORTALITY

NUMBER OF REPORTED CASES OF SELECTED COMMUNICABLE DISEASES IN THE STATE
OF WASHINGTON, WITH ANNUAL AND FIVE-YEAR AVERAGE INCIDENCE RATES.
PER 100,000 ESTIMATED POPULATION, 1915 - 1947

Year	Number of Reported Cases						Incidence Rate Per 100,000 Estimated Population					
	Typhoid and Paratyphoid fever	Smallpox	Diphtheria	Poliomyelitis	Scarlet fever	Whooping Cough	Typhoid and Paratyphoid fever	Smallpox	Diphtheria	Poliomyelitis	Scarlet fever	Whooping Cough
1915	830	254	406	10	688	1886	63.1	20.2	32.3	0.8	54.8	150.2
1916	586	655	382	33	649	3417	45.9	51.3	29.9	2.6	50.8	267.4
1917	1008	408	426		1019	3858	77.6	31.4	32.8		78.4	296.9
1918	680	1675	856	23	2273	1766	51.5	126.8	64.8	1.7	217.5	133.6
1919	379	4390	1003	15	2483	1260	23.2	326.8	74.7	1.1	184.8	93.8
1915-1919	697	1476	615	16	154	2437	53.6	113.6	47.3	1.2	118.5	187.5
1920	469	6146	1344	10	2228	2062	34.4	450.3	98.5	0.7	163.2	151.1
1921	531	4443	1355	337	1787	1515	38.3	320.7	97.8	24.3	129.0	109.4
1922	578	1535	1169	19	1242	1461	41.1	113.5	83.2	1.4	88.3	103.9
1923	547	1623	1179	22	2095	2306	33.4	113.8	82.7	1.5	146.9	196.7
1924	435	1973	1623	592	2155	733	30.1	136.4	112.2	40.9	149.0	50.7
1920-1924	512	3156	1334	196	1901	1715	36.4	224.5	94.9	139.4	135.2	122.0
1925	391	2001	1425	115	2104	3273	26.7	136.4	97.1	7.8	143.4	223.1
1926	433	2413	1343	14	3535	2175	29.1	162.2	90.3	0.9	237.7	146.2
1927	288	1806	1006	292	2981	1263	19.1	119.8	66.7	19.4	197.7	83.8
1928	282	1772	626	343	1864	773	18.5	116.0	41.0	22.4	122.0	50.6
1929	294	2212	594	31	1592	2816	19.0	142.8	38.4	2.0	102.8	181.8
1925-1929	338	2041	999	159	2415	2060	22.4	135.4	66.2	10.5	160.2	136.6
1930	253	2378	599	51	2045	2825	16.1	151.6	38.2	3.3	130.3	180.1
1931	234	1112	466	86	1912	3111	14.8	70.2	29.4	5.4	120.6	196.3
1932	202	635	272	84	1405	975	12.6	39.7	17.0	5.2	87.8	60.9
1933	181	288	271	90	1689	1134	11.2	17.8	16.7	5.6	104.3	70.0
1934	179	580	137	743	2110	4955	10.9	35.3	8.3	45.2	138.5	301.7
1930-1934	210	999	349	211	1832	2600	13.1	62.3	21.8	13.2	114.3	162.2
1935	154	1347	129	46	2469	940	9.3	81.1	7.8	2.8	148.7	56.6
1936	150	331	78	77	2900	1143	8.9	19.7	4.7	4.6	173.0	68.2
1937	120	479	145	87	1565	3069	7.1	28.3	8.6	5.1	92.4	181.2
1938	167	966	106	18	1803	4507	9.8	56.5	6.2	1.0	105.5	263.6
1939	263	89	84	27	1818	991	15.2	5.2	4.9	1.6	105.4	57.4
1935-1939	171	642	108	51	2111	2130	10.1	37.9	6.4	3.0	124.7	125.8
1940	93	14	103	449	1696	2576	5.3	0.8	5.9	25.8	97.4	147.9
1941	84	31	71	74	1147	4960	4.6	1.7	3.9	4.1	63.1	272.9
1942	65	10	133	33	1260	2860	3.4	0.5	7.0	1.7	66.5	151.0
1943	41	6	357	359	2031	2406	2.1	0.3	18.0	18.1	102.4	121.4
1944	46	11	313	203	7324	1401	2.3	0.6	15.8	10.2	368.7	70.5
1940-1944	66	14	195	224	2692	2841	3.5	0.7	10.3	11.9	142.8	150.8
1945	59	10	278	328	2809	1352	3.1	0.5	13.7	16.1	138.2	66.5
1946	50	68	326	519	1378	1559	2.4	3.3	15.9	25.3	67.2	76.0
1947	33	0	137	168	1502	1501	1.6	0.0	9.0	8.1	72.0	72.0
1945-1947	47	26	264	338	1896	1471	2.3	1.3	12.8	16.4	92.2	71.5

TABLE 54

NUMBER OF CASES OF REPORTABLE DISEASES IN THE STATE OF WASHINGTON, WITH RATES PER 100,000 ESTIMATED
POPULATION, TEN-YEAR AVERAGES, AVERAGE RATES AND TEN-YEAR MEDIANS, 1938 - 1947

Disease	Ten year average	Ten year median	1947	1946	1945	1944	1943	1942	1941	1940	1939	1938
			No.	No.	No.	No.	No.	No.	No.	No.	No.	No.
Botulism	5	3	10	1	0	6	2	1	1	4	16	8
	Rate 0.3		0.5	#	0.0	0.3	0.1	#	#	0.2	0.9	0.5
Chicken Pox	7197	7458	8776	4647	8357	8112	7759	7843	7158	5540	6879	6899
	Rate 378.2		420.8	226.7	411.1	413.4	391.4	414.0	393.8	318.0	398.6	403.5
Diphtheria	196	160	187	326	278	313	357	133	71	103	84	106
	Rate 10.3		9.0	15.9	13.7	15.8	18.0	7.0	3.9	5.9	4.9	6.2
Dysentery, amebic	16	7	101	13	7	4	8	2	7	8	7	2
	Rate 0.8		4.8	0.6	0.3	0.2	0.4	0.1	0.4	0.4	0.4	0.1
Bacillary	42	22	23	54	237	7	7	5	21	35	6	22
	Rate 2.2		1.1	2.6	11.6	0.4	0.4	0.3	1.2	2.0	0.3	1.3
Unspecified	321*	240*	240	175	549	-	-	-	-	-	-	-
	Rate 15.6*		11.5	8.5	27.0	-	-	-	-	-	-	-
Epidemic diarrhea of newborn	52*	31*	31	19	105	-	-	-	-	-	-	-
	Rate 2.5*		1.5	0.9	5.2	-	-	-	-	-	-	-
Encephalitis	40	36	21	33	39	11	25	43	43	112	54	22
	Rate 2.1		1.0	1.6	1.9	0.6	1.3	2.3	2.4	6.4	3.1	1.3
Erysipelas	53	51	33	41	65	100	74	35	21	44	62	58
	Rate 2.8		1.6	2.0	3.2	5.0	3.7	1.8	1.2	2.5	3.6	3.4
Food poisoning	524	52	481	82	187	9	2278	8	2	169	21	2
	Rate 17.0		23.1	4.0	9.2	0.4	114.9	0.4	0.1	9.7	1.2	0.1
German measles	2336	984	860	911	1134	2000	5257	1057	11269	570	166	136
	Rate 122.8		41.2	44.4	55.8	100.7	265.2	55.8	620.0	32.7	9.6	8.0
Influenza	2357	964	1808	278	10251	600	4036	351	1329	9539	180	196
	Rate 150.2		86.7	13.6	504.2	30.2	203.6	18.5	73.1	547.6	10.4	11.5
Leprosy	0.3	#	0	1	1	0	0	0	1	0	0	0
	Rate #		0.0	#	#	0.0	0.0	0.0	#	0.0	0.0	0.0
Malaria	7	4	13	29	10	1	1	3	8	2	1	5
	Rate 0.4		0.6	1.4	0.5	#	#	0.2	0.4	0.1	#	0.3
Measles	9841	9783	1307	12405	7161	5893	15458	12926	1857	17254	22439	1709
	Rate 517.2		62.7	605.1	352.2	296.7	779.8	682.3	102.2	990.4	1300.4	100.0
Meningococcic meningitis	79	48	47	60	71	240	242	49	25	23	17	20
	Rate 4.2		2.3	2.9	3.5	12.1	12.2	2.6	1.4	1.3	1.0	1.2
Mumps	5788	5146	3726	4409	7327	5081	6447	12367	8336	2911	2069	5211
	Rate 304.2		178.7	215.1	360.4	255.8	325.2	652.8	458.6	167.1	119.9	304.8

TABLE 24 (Cont.)

NUMBER OF CASES OF REPORTABLE DISEASES IN THE STATE OF WASHINGTON, WITH RATES PER 100,000 ESTIMATED POPULATION, TEN-YEAR AVERAGES, AVERAGE RATES AND TEN-YEAR MEDIANS, 1938 - 1947

Disease	Ten year average		Ten year median	1947	1946	1945	1944	1943	1942	1941	1940	1939	1938
	No.	Rate		No.	Rate	No.	Rate	No.	Rate	No.	Rate	No.	Rate
Paratyphoid Fever	No.	11*	10*	11	10	17	9	6	10	**	**	**	**
	Rate	0.5*		0.5	0.5	0.8	0.4	0.3	0.5				
Pneumonia, bacterial	No.	907	762	644	821	1345	2014	1221	529	361	348	703	1086
	Rate	47.7		30.9	40.0	66.2	101.4	61.6	27.9	19.9	20.0	40.7	63.5
Virus	No.	36*	33	61	15	33	-	-	-	-	-	-	-
	Rate	1.8*		2.9	0.7	1.6	-	-	-	-	-	-	-
Poliomyelitis	No.	218	186	168	519	328	203	359	33	74	449	27	18
	Rate	11.4		8.1	25.3	16.1	10.2	18.1	1.7	4.1	25.8	1.6	1.0
Rheumatic Fever	No.	206*	259	66	294	259	-	-	-	-	-	-	-
	Rate	10.0		3.2	12.7	14.3	-	-	-	-	-	-	-
Rocky Mountain Spotted Fever	No.	4	4	0	5	0	1	3	5	6	5	9	1
	Rate	0.2		0.0	0.2	0.0	#	0.2	0.3	0.3	0.3	0.5	#
Scarlet Fever	No.	2277	1750	1502	1378	2809	7324	2031	1260	1147	1696	1818	1803
	Rate	119.7		72.0	67.2	138.2	368.7	102.4	66.5	63.1	97.4	105.4	105.5
Septic Sore Throat	No.	104	108	170	107	183	110	119	108	45	39	78	82
	Rate	5.5		8.2	5.2	9.0	5.5	6.0	5.7	2.5	2.2	4.5	4.8
Smallpox	No.	121	12	0	68	10	11	6	10	31	14	89	966
	Rate	6.4		0.0	3.3	0.5	0.6	0.3	0.5	1.7	0.8	5.2	56.5
Trachoma	No.	10	4	0	1	0	3	32	0	28	24	6	5
	Rate	0.5		0.0	#	0.0	0.2	1.6	0.0	1.5	1.4	0.3	0.3
Tularemia	No.	2	2	3	0	2	0	3	2	4	1	5	1
	Rate	0.1		0.1	0.0	0.1	0.0	0.2	0.1	0.2	#	0.3	#
Typhoid Fever	No.	84	49	22	40	42	37	35	55	84	93	263	167
	Rate	4.4		1.1	2.0	2.1	1.9	1.8	2.9	4.6	5.3	15.2	9.8
Undulant Fever	No.	48	49	66	54	54	54	43	72	42	28	25	38
	Rate	2.5		3.2	2.6	2.6	2.7	2.2	3.8	2.3	1.6	1.4	2.2
Whooping Cough	No.	2411	1982	1501	1559	1352	1401	2406	2860	4280	2576	991	4507
	Rate	126.7		72.0	76.0	66.5	70.5	121.4	151.0	272.9	147.9	57.4	263.6

* Average, rate, and median for number of years shown
 ** Paratyphoid cases included in typhoid total for these years
 # Not calculated

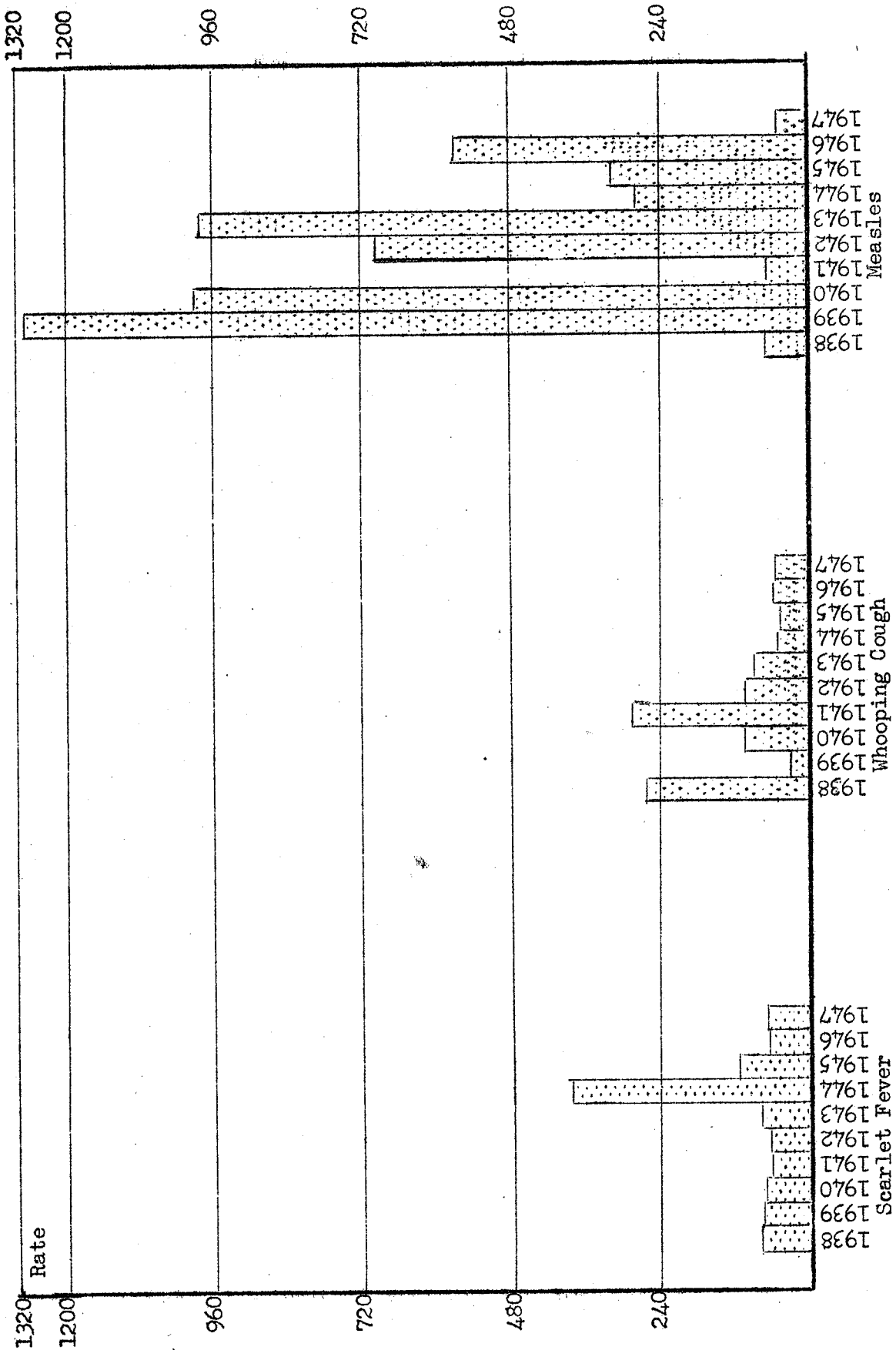


FIGURE 18 - MORBIDITY RATES PER 100,000 ESTIMATED POPULATION FOR SCARLET FEVER, WHOOPING COUGH AND MEASLES IN THE STATE OF WASHINGTON, 1938 - 1947

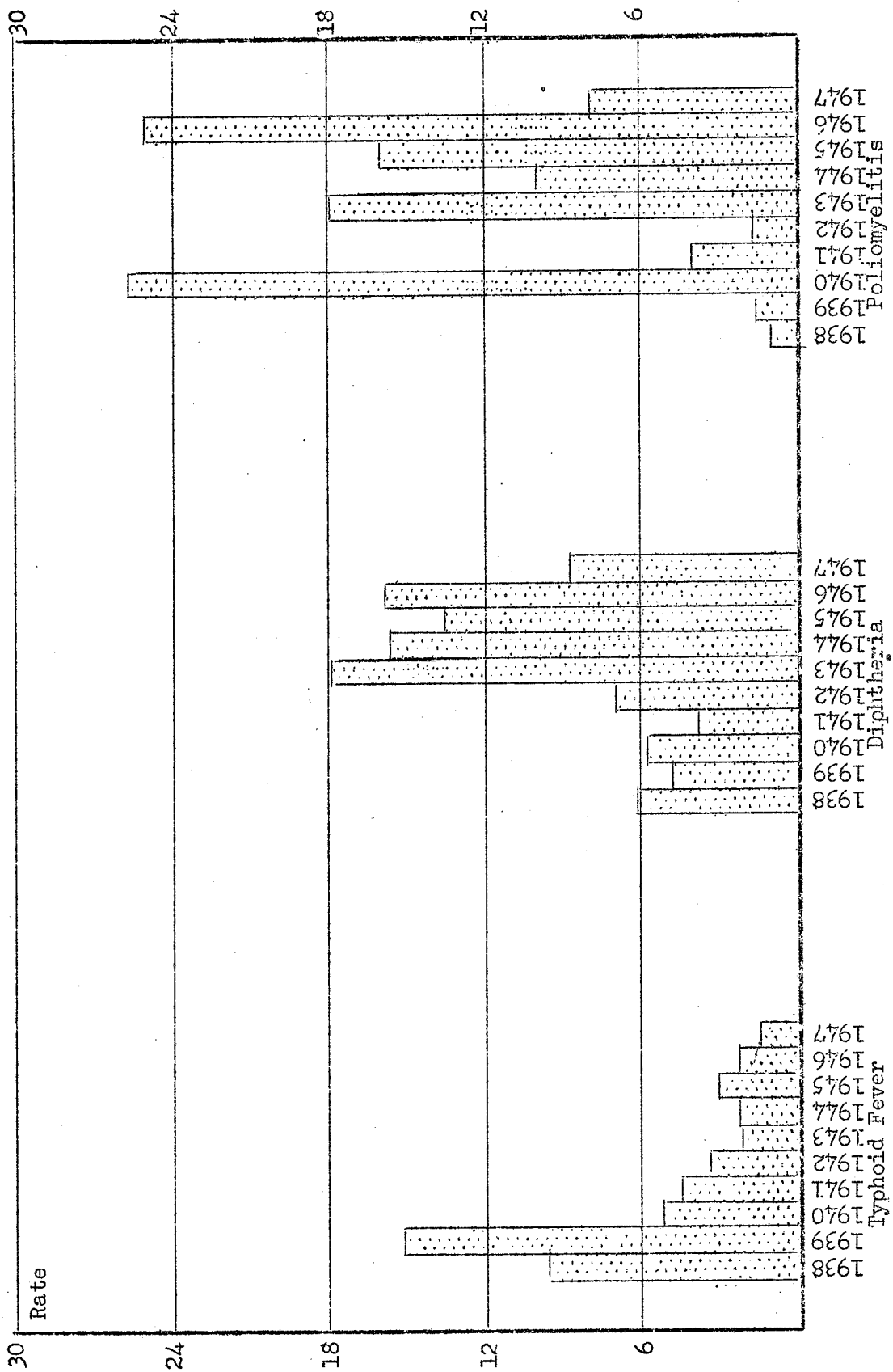


FIGURE 19 - MORBIDITY RATES PER 100,000 ESTIMATED POPULATION FOR TYPHOID FEVER, DIPHTHERIA, AND POLIOMYELITIS IN THE STATE OF WASHINGTON, 1938 - 1947

TABLE 55

CASES OF DIPHTHERIA, POLIOMYELITIS AND WHOOPING COUGH REPORTED IN THE COUNTIES
AND MAJOR CITIES OF THE STATE OF WASHINGTON, BY SINGLE YEARS
OF AGE UNDER FIVE YEARS, 1947

County or City	DIPHTHERIA					POLIOMYELITIS					WHOOPING COUGH				
	Un- der 1 yr	1 yr	2 yrs	3 yrs	4 yrs	Un- der 1 yr	1 yr	2 yrs	3 yrs	4 yrs	Un- der 1 yr	1 yr	2 yrs	3 yrs	4 yrs
Adams											1				
Asotin											1		1	1	
Benton													1	1	
Chelan				1							5	1	3	2	3
Rural											2	1	1		3
Wenatchee				1							3		2	2	
Clallam											2		1	1	3
Rural											1				2
Port Angeles											1		1	1	1
Clark											10	12	9	7	9
Rural											1	7	4	6	6
Vancouver											9	5	5	1	3
Columbia															
Cowlitz											2	2	1	3	2
Rural											2	2	1	3	2
Longview											2				
Douglas					1						2	3	4	1	3
Ferry															
Franklin														2	
Garfield													1		2
Grant										1		1	2		3
Grays Harbor					1	1									
Rural						1									
Aberdeen															
Hoquiam					1										
Island															
Jefferson											1		1	1	
King			1	1	1		2	2	2	2	67	35	36	46	48
Rural				1				1	1	1	21	14	9	14	13
Seattle			1		1		2	1	1	1	46	21	27	32	35
Kitsap											7	2	1	6	
Rural											5	2	1	5	
Bremerton											2			1	
Kittitas						1						1			
Klickitat															
Lewis				1	1					1					
Lincoln															
Mason															
Okanogan		2		1							1	2			
Pacific										1					
nd Oreille															
erce					2			1			21	13	9	17	13
Rural					2						9	5	4	3	5
Tacoma								1			12	8	5	14	8
San Juan										1					
Skagit			1	1					2			2	1	2	1

TABLE 55 (Cont.)

CASES OF DIPHTHERIA, POLIOMYELITIS AND WHOOPING COUGH REPORTED IN THE COUNTIES
AND MAJOR CITIES OF THE STATE OF WASHINGTON, BY SINGLE YEARS
OF AGE UNDER FIVE YEARS, 1947

County or City	DIPHTHERIA					POLIOMYELITIS					WHOOPING COUGH				
	Un- der 1 yr	1 yr	2 yrs	3 yrs	4 yrs	Un- der 1 yr	1 yr	2 yrs	3 yrs	4 yrs	Un- der 1 yr	1 yr	2 yrs	3 yrs	4 yrs
Skamania															
Spohomish				1				1			4	3	5	5	2
Rural								1			4	3	5	5	2
Everett				1											
Spokane		1		2			2	1	4	4	4		1	2	
Rural				2				1	1		3		1	2	
Spokane		1					2		3	4	1				
Stevens															
Thurston											1	1		1	2
Rural															2
Olympia											1	1		1	
Wahkiakum															
Walla Walla							1		1		1				
Rural															
Walla Walla							1		1		1				
Whatcom	1														
Rural															
Bellingham	1														
Whitman													1	2	
Yakima		2	3	4	3				1		5	1			
Rural		1	3	2	2				1		4	1			
Yakima		1		2	1						1				
URBAN TOTAL	1	2	1	4	3	0	5	2	5	5	79	35	40	52	47
RURAL TOTAL	0	3	4	8	6	2	0	3	5	5	56	44	38	48	44
GRAND TOTAL	1	5	5	12	9	2	5	5	10	10	135	79	78	100	91

TABLE 56

DEATHS OF DIPHTHERIA, POLIOMYELITIS AND WHOOPING COUGH REPORTED IN THE COUNTIES*
AND MAJOR CITIES OF THE STATE OF WASHINGTON, BY SINGLE YEARS
OF AGE UNDER FIVE YEARS, ALLOCATED TO RESIDENCE, 1947

County or City	DIPHTHERIA					POLIOMYELITIS					WHOOPING COUGH				
	Un- der 1 yr	1 yr	2 yrs	3 yrs	4 yrs	Un- der 1 yr	1 yr	2 yrs	3 yrs	4 yrs	Un- der 1 yr	1 yr	2 yrs	3 yrs	4 yrs
Adams											1				
Pierce											2				
Rural											1				
Puyallup															
Tacoma											1				
Skagit					1										
Spokane											1				
Rural															
Spokane											1				
Walla Walla											1				
Rural															
Walla Walla											1				
Yakima			1		1						2				
Rural			1		1						2				
Yakima															
URBAN TOTAL	0	0	0	0	0	0	0	0	0	0	3	0	0	0	0
RURAL TOTAL	0	0	1	0	2	0	0	0	0	0	4	0	0	0	0
GRAND TOTAL	0	0	1	0	2	0	0	0	0	0	7	0	0	0	0

* In this table when no deaths occurred in a county, that county is not listed.

TABLE 57

CASES OF DIPHTHERIA REPORTED IN THE COUNTIES* AND MAJOR CITIES OF THE STATE OF WASHINGTON, BY AGE GROUP, WITH PERCENTAGES, 1947

County or City	Under 1 yr.	1 to 4	5 to 9	10 to 14	15 to 19	20 to 24	25 to 29	30 to 34	35 to 39	40 to 44	45 & over	Unk-nown age	All ages
Chelan		1	1	2	1	1							6
Rural			1	1	1	1							4
Wenatchee		1		1									2
Douglas		1											1
Grant				1									1
Grays Harbor		1	4	1		1	1				1		9
Rural							1				1		2
Aberdeen			4	1									5
Hoquiam		1				1							2
King		3	5	2	6	2		2	5	3	7	1	36
Rural		1	3	1	2						1		8
Renton**													0
Seattle		2	2	1	4	2		2	5	3	6	1	28
Kitsap						1		1					2
Rural								1					1
Bremerton						1							1
Kittitas						2	1					1	4
Lewis		2	1	1		1	2	2					9
Mason								1					1
Okanogan		3	5		1			1					10
Pacific						1							1
Parce		2	1			1		2			1		7
Rural		2				1		2			1		6
Puyallup**													0
Tacoma			1										1
San Juan			1										1
Skagit		2	3		1			1				2	9
Snohomish		1	1	1						1	1	5	10
Rural				1								4	5
Everett		1	1							1	1	1	5
Spokane		3											3
Rural		2											2
Spokane		1											1
Whatcom	1		3	2				1		1		3	11
Rural			2							1			3
Bellingham	1		1	2				1				3	8
Yakima		12	15	7	7	6	1	4	2	3	6	3	66
Rural		8	9	4	3	3		3		2	4	2	38
Yakima		4	6	3	4	3	1	1	2	1	2	1	28
URBAN TOTAL	1	10	15	8	8	7	1	4	7	5	9	6	81
RURAL TOTAL	0	21	25	9	8	9	4	11	0	3	7	9	106
GRAND TOTAL	1	31	40	17	16	16	5	15	7	8	16	15	187
Percent of total	0.5	16.6	21.4	9.1	8.6	8.6	2.7	8.0	3.7	4.3	8.6	8.0	100.0

Rate per 100,000

No. estimated population

Urban Total	81	7.6
Rural Total	106	10.4
Grand Total	187	9.0

* In this table when no cases occurred in a county, that county is not listed.

** No separate tabulation made on these cities, cases included in rural part of county.

TABLE 58

DEATHS FROM DIPHTHERIA IN THE COUNTIES* AND MAJOR CITIES OF THE STATE OF WASHINGTON,
BY AGE GROUP, WITH PERCENTAGES, ALLOCATED TO RESIDENCE, 1947

County or City	Un- der 1 yr	1 to 4	5 to 9	10 to 14	15 to 19	20 to 24	25 to 29	30 to 34	35 to 39	40 to 44	45 and over	Un- known age	All ages
Chelan			1										1
Rural			1										1
Wenatchee													0
Grant				1									1
Grays Harbor			1	1									2
Rural													0
Aberdeen			1	1									2
Hoquiam													0
King									2		1		3
Rural									1				1
Renton													0
Seattle									1		1		2
Skagit		1											1
Yakima		2									1		3
Rural		2									1		3
Yakima													0
URBAN TOTAL	0	0	1	1	0	0	0	0	1	0	1	0	4
RURAL TOTAL	0	3	1	1	0	0	0	0	1	0	1	0	7
GRAND TOTAL	0	3	2	2	0	0	0	0	2	0	2	0	11
Percent of Total	0.0	27.3	18.2	18.2	0.0	0.0	0.0	0.0	18.2	0.0	18.2	0.0	100.0

	No.	Rate per 100,000 estimated population
Urban Total	4	0.4
Rural Total	7	0.7
Grand Total	11	0.5

* In this table when no deaths occurred in a county, that county is not listed.

TABLE 59

CASES OF POLIOMYELITIS REPORTED IN THE COUNTIES*AND MAJOR CITIES OF
THE STATE OF WASHINGTON, BY AGE GROUP, WITH PERCENTAGES, 1947

County or City	Un- der 1 yr	1 to 4	5 to 9	10 to 14	15 to 19	20 to 24	25 to 29	30 to 34	35 to 39	40 to 44	45 and over	Unk- nown age	All ages
Chelan								1					1
Rural								1					1
Wenatchee													0
Clark			1	1				1					3
Rural								1					1
Vancouver			1	1									2
Cowlitz			1			1							2
Rural													0
Longview			1			1							2
Grant		1					1						2
Grays Harbor	1		1										2
Rural	1		1										2
Aberdeen													0
Hogiam													0
King		8	13	4	3	9	12	3	2				54
Rural		3	7	3	2	2	5	2					24
Seattle		5	6	1	1	7	7	1	2				30
Kitsap					1	1							2
Rural					1	1							2
Bremerton													0
Kittitas	1												1
Klickitat			1										1
Lewis		1	2	2									5
Lincoln			1										1
Pacific		1											1
Pierce		1		2	2	1	2	1			1		10
Rural					1	1					1		3
Tacoma		1		2	1		2	1					7
San Juan		1				1			1			1	4
Skagit		2	7	3	1	1	2					1	17
Skamania												1	1
Snohomish		1	1										2
Rural		1	1										2
Everett													0
Spokane		11	6	8	2	2		1	1	1		1	33
Rural		2		2		1			1	1		1	8
Spokane		9	6	6	2	1		1					25
Stevens			1								1		2
Walla Walla		2	2	1	2							1	8
Rural			1	1	2								4
Walla Walla		2	1									1	4
Whatcom			4	3	3	2			1		1		14
Rural			3	2	3	1					1		10
Bellingham			1	1		1			1				4

TABLE 59 (Cont.)

CASES OF POLIOMYELITIS REPORTED IN THE COUNTIES*AND MAJOR CITIES OF
THE STATE OF WASHINGTON, BY AGE GROUP, WITH PERCENTAGES, 1947

County or City	Un- der 1 yr	1 to 4	5 to 9	10 to 14	15 to 19	20 to 24	25 to 29	30 to 34	35 to 39	40 to 44	45 and over	Unk- nown age	All ages
Yakima		1		1									2
Rural		1											1
Yakima				1									1
URBAN TOTAL	0	17	16	12	4	10	9	3	3	0	0	1	75
RURAL TOTAL	2	13	25	13	10	8	8	4	2	1	3	4	93
GRAND TOTAL	2	30	41	25	14	18	17	7	5	1	3	5	168
Percent of total	1.2	17.8	24.4	14.9	8.3	10.7	10.1	4.2	3.0	0.6	1.8	3.0	100.0

	No.	Rate per 100,000 estimated population
Urban Total	75	7.0
Rural Total	93	9.1
Grand Total	168	8.1

* In this table when no cases occurred in a county, that county is not listed.

TABLE 60

DEATHS FROM POLIOMYELITIS IN THE COUNTIES* AND MAJOR CITIES OF THE STATE OF WASHINGTON, BY AGE GROUP, WITH PERCENTAGES, ALLOCATED TO RESIDENCE, 1947

County or City	Under 1 yr	1 to 4	5 to 9	10 to 14	15 to 19	20 to 24	25 to 29	30 to 34	35 to 39	40 to 44	45 and over	Un-known age	All ages
Grays Harbor					1								1
Rural													0
Aberdeen													0
Hocquiam					1								1
King				1		1			1				3
Rural				1					1				2
Renton													0
Seattle						1							1
Kitsap						1							1
Rural						1							1
Bremerton													0
Pierce					1		1				1		3
Rural											1		1
Puyallup													0
Tacoma					1		1						2
Yagit							1						1
Spokane				1									1
Rural				1									1
Spokane													0
Whatcom								1			1		2
Rural											1		1
Bellingham								1					1
URBAN TOTAL	0	0	0	0	2	1	1	1	0	0	0	0	5
RURAL TOTAL	0	0	0	2	0	1	1	0	1	0	2	0	7
GRAND TOTAL	0	0	0	2	2	2	2	1	1	0	2	0	12
Percent of Total	0.0	0.0	0.0	16.7	16.7	16.7	16.7	8.3	8.3	0.0	16.7	0.0	100.0

	No.	Rate per 100,000 estimated population
Urban Total	5	0.5
Rural Total	7	0.7
Grand Total	12	0.6

* In this table when no deaths occurred in a county, that county is not listed.

TABLE 61. (Cont.)

CASES OF RHEUMATIC FEVER REPORTED IN THE COUNTIES AND MAJOR CITIES OF
THE STATE OF WASHINGTON, BY AGE GROUP, WITH PERCENTAGES, 1947

County or City	Un- der 1 yr	1 to 4	5 to 9	10 to 14	15 to 19	20 to 24	25 to 29	30 to 34	35 to 39	40 to 44	45 and over	Un- known age	All ages
Skagit				1						2	5		8
Skamania													0
Snohomish			1	1				1		2	6	1	12
Rural				1				1		2	4	1	9
Everett			1								2		3
Spokane				1	1	1	1	6	1	2	10		25
Rural							1	3		1	5		10
Spokane				1	1	1		3	1	1	5		13
Stevens						1				1			2
Thurston			1		1	1			1	1	6		11
Rural			1						1		4		6
Olympia					1	1				1	2		5
Wahkiakum											1		1
Walla Walla			1										1
Rural													0
Walla Walla			1										1
Whatcom			1	1	1		1				3		7
Rural			1	1			1				1		4
Bellingham					1						2		3
Whitman				1	1	1		1	1		2	2	9
Yakima		1	1	1					1	1	8		13
Rural		1	1	1							3		6
Yakima									1	1	5		7
URBAN TOTAL	0	2	4	6	5	6	2	8	7	10	77	0	127
RURAL TOTAL	0	4	23	18	11	3	5	10	9	11	83	4	181
GRAND TOTAL	0	6	27	24	16	9	7	18	16	21	160	4	308
Percent of Total	0.0	1.9	8.8	7.8	5.2	2.9	2.3	5.8	5.2	6.8	51.9	1.3	100.0

	No.	Rate per 100,000 estimated population
Urban Total	127	11.9
Rural Total	181	17.8
Grand Total	308	14.8

TABLE 62

DEATHS FROM RHEUMATIC FEVER AND RHEUMATIC HEART DISEASE* IN THE COUNTIES# AND MAJOR CITIES OF THE STATE OF WASHINGTON, BY AGE GROUP, WITH PERCENTAGES, ALLOCATED TO RESIDENCE, 1947

County or City	Under 1 yr	1 to 4	5 to 9	10 to 14	15 to 19	20 to 24	25 to 29	30 to 34	35 to 39	40 to 44	45 and over	Un-known age	All ages
Adams											1		1
Benton											2		2
Rural											1		1
Richland											1		1
Chelan									1		2		3
Rural									1		1		2
Wenatchee											1		1
Clark		1					1		1		1		4
Rural							1		1				2
Vancouver		1									1		2
Cowlitz										1			1
Rural										1			1
Longview													0
Franklin									1		1		2
Grant					1						3		4
Grays Harbor											2		2
Rural											2		2
Aberdeen													0
Hoquiam													0
Jefferson											2		2
King						1	2	5	4	6	44		62
Rural							1	2	1		9		13
Renton													0
Seattle						1	1	3	3	6	35		49
Kitsap						1		1			3		5
Rural						1		1			2		4
Bremerton											1		1
Kittitas								1			2		3
Klickitat				1						1			2
Lewis									1	1	3		5
Pend Oreille							1						1
Pierce					1	3		1			14		19
Rural						1		1			8		10
Puyallup											1		1
Tacoma					1	2					5		8
Skagit										2	3		5
Snohomish			1							1	4		6
Rural										1	2		3
Everett			1								2		3
Spokane				1	1	2		2	1	2	6		15
Rural						1				1	1		3
Spokane				1	1	1		2	1	1	5		12

TABLE 62 (Cont.)

DEATHS FROM RHEUMATIC FEVER AND RHEUMATIC HEART DISEASE* IN THE COUNTIES# AND MAJOR CITIES OF THE STATE OF WASHINGTON, BY AGE GROUP, WITH PERCENTAGES, ALLOCATED TO RESIDENCE, 1947

County or City	Un-der 1 yr	1 to 4	5 to 9	10 to 14	15 to 19	20 to 24	25 to 29	30 to 34	35 to 39	40 to 44	45 and over	Un-known age	All ages
Stevens						1				1	1		3
Thurston									1	1	3		5
Rural									1		2		3
Olympia										1	1		2
Wahkiakum											1		1
Walla Walla			1										1
Rural													0
Walla Walla			1										1
Whatcom					1						1		2
Rural													0
Bellingham					1						1		2
Whitman									1		1		2
Yakima		1	1								8		10
Rural		1	1								3		5
Yakima											5		5
East. Cus. Sch.								1**			1**		2**
American Lake											1**		1**
East. St. Hosp.								2**			1**		3**
URBAN TOTAL	0	1	2	1	3	4	1	5	4	8	59	0	88
RURAL TOTAL	0	1	1	1	1	4	3	8	7	8	52	0	86
GRAND TOTAL	0	2	3	2	4	8	4	13	11	16	111	0	174
Percent of Total	0.0	1.1	1.7	1.1	2.3	4.6	2.3	7.5	6.3	9.2	64.0	0.0	100.0

Rate per 100,000
estimated population

Urban Total	88	8.2
Rural Total	86	8.4
Grand Total	174	8.3

* Includes International List numbers, 58, 90A, 92C, 93C, 95B.

**Institutions included in rural and grand totals.

In this table when no deaths occurred in a county, that county is not listed.

TABLE 63

CASES OF TYPHOID AND PARATYPHOID REPORTED IN THE COUNTIES* AND MAJOR CITIES OF THE STATE OF WASHINGTON, BY AGE GROUP, WITH PERCENTAGES, 1947

County or City	Un-der 1 yr	1 to 4	5 to 9	10 to 14	15 to 19	20 to 24	25 to 29	30 to 34	35 to 39	40 to 44	45 and over	Un-known age	All ages
Benton			1	1									2
Chelan				1								1	2
Rural				1								1	2
Wenatchee													0
Clallam											1		1
Rural													0
Port Angeles											1		1
Clark		1									1		2
Rural		1											1
Vancouver											1		1
King			2	1	2	1		1	1		3		11
Rural			1		1			1			1		4
Seattle			1	1	1	1			1		2		7
Kittitas			2								1		3
Lewis				1									1
Pierce		2											2
Rural													0
Tacoma		2											2
Skagit				1									1
Spokane		1	1										2
Rural			1										1
Spokane		1											1
Stevens				1				1					2
Walla Walla		1											1
Rural		1											1
Walla Walla													0
Whatcom												1	1
Rural													0
Bellingham												1	1
Yakima		1					1						2
Rural													0
Yakima		1					1						2
URBAN TOTAL	0	4	1	1	1	2	0	0	1	0	4	1	15
RURAL TOTAL	0	2	5	5	1	0	0	2	0	0	2	1	18
GRAND TOTAL	0	6	6	6	2	2	0	2	1	0	6	2	33
Percent of Total	0.0	18.2	18.2	18.2	6.1	6.1	0.0	6.1	3.0	0.0	18.2	6.1	100.0

Rate per 100,000
estimated population

Urban Total	15	1.4
Rural Total	18	1.8
Grand Total	33	1.6

* In this table when no cases occurred in a county that county is not listed.

TABLE 64

DEATHS FROM TYPHOID AND PARATYPHOID IN THE COUNTIES* AND MAJOR CITIES OF THE STATE OF WASHINGTON, BY AGE GROUP, WITH PERCENTAGES, ALLOCATED TO RESIDENCE, 1947

County or City	Under 1 yr	1 to 4	5 to 9	10 to 14	15 to 19	20 to 24	25 to 29	30 to 34	35 to 39	40 to 44	45 and over	Un-known age	All ages
Clark											1		1
Rural											1		1
Vancouver													0
King						1							1
Rural													0
Renton													0
Seattle						1							1
Yakima			1										1
Rural			1										1
Yakima													0
URBAN TOTAL	0	0	0	0	0	1	0	0	0	0	0	0	1
RURAL TOTAL	0	0	1	0	0	0	0	0	0	0	1	0	2
GRAND TOTAL	0	0	1	0	0	1	0	0	0	0	1	0	3
Percent of Total	0.0	0.0	33.3	0.0	0.0	33.3	0.0	0.0	0.0	0.0	33.3	0.0	100.0

	No.	Rate per 100,000 estimated population
Urban Total	1	0.1
Rural Total	2	0.2
Grand Total	3	0.1

* In this table when no deaths occurred in a county, that county is not listed.

TABLE 65

CASES OF UNDULANT FEVER REPORTED IN THE COUNTIES AND MAJOR CITIES OF
THE STATE OF WASHINGTON, BY AGE GROUP, WITH PERCENTAGES, 1947

County or City	Un- der 1 yr	1 to 4	5 to 9	10 to 14	15 to 19	20 to 24	25 to 29	30 to 34	35 to 39	40 to 44	45 and over	Un- known age	All ages
Benton								1		1			2
Chelan								1					1
Rural								1					1
Wenatchee													0
Grant										1		1	2
Jefferson									1				1
King							1	5	1	5	3		15
Rural							1	3		4	3		11
Seattle								2	1	1			4
Kitsap						1							1
Rural						1							1
Bremerton													0
Kittitas												2	2
Klickitat									1				1
Mason												1	1
Okanogan											1		1**
Pacific											1		1
Pierce				1			2		1		1		5
Rural				1			1				1		3
Tacoma							1		1				2
Skagit			1	1	1		1					2	6
Snohomish								1			1	4	6
Rural								1			1	4	6
Everett													0
Thurston			1				1				1		3
Rural							1				1		2
Olympia			1										1
Whatcom								1		1	1	1	4
Rural								1		1	1	1	4
Bellingham													0
Whitman			1				1					1	3
Yakima						2	2				6	1	11
Rural						2	1				5	1	9
Yakima							1				1		2
URBAN TOTAL	0	0	1	0	0	0	2	2	2	1	1	0	9
RURAL TOTAL	0	0	2	2	1	3	6	7	2	7	14	13	57
GRAND TOTAL	0	0	3	2	1	3	8	9	4	8	15	13	66
Percent of total	0.0	0.0	4.5	3.0	1.5	4.5	12.1	13.6	6.1	12.1	22.7	19.7	100.0

	No.	Rate per 100,000 estimated population
Urban Total	9	0.8
Rural Total	57	5.6
Grand Total	66	3.2

* In this table when no cases occurred in a county, that county is not listed.
**One death to Okanogan county resident. No other deaths from this disease.

TABLE 66 (Cont.)

CASES OF WHOOPING COUGH REPORTED IN THE COUNTIES* AND MAJOR CITIES OF THE STATE OF WASHINGTON, BY AGE GROUP, WITH PERCENTAGES, 1947

County or City	Under 1 yr	1 to 4	5 to 9	10 to 14	15 to 19	20 to 24	25 to 29	30 to 34	35 to 39	40 to 44	45 and over	Un-known age	All ages
Thurston	1	4	16				1					14	36
Rural		2	14									14	30
Olympia	1	2	2				1						6
Walla Walla	1											54	55
Rural												16	16
Walla Walla	1											38	39
Whatcom			3	2								5	10
Rural			3	2									5
Bellingham												5	5
Whitman		3	16	12									31
Yakima	5	1	6	4								29	45
Rural	4	1	3	2								14	24
Yakima	1		3	2								15	21
URBAN TOTAL	79	174	181	15	1	1	2	0	0	1	0	101	555
RURAL TOTAL	56	174	266	52	4	1	0	0	0	0	0	393	946
GRAND TOTAL	135	348	447	67	5	2	2	0	0	1	0	494	1501
Percent of Total	9.0	23.2	29.8	4.5	0.3	0.1	0.1	0	0	0.1	0	32.9	100.0

	No.	Rate per 100,000 estimated population
Urban Total	555	51.9
Rural Total	946	93.0
Grand Total	1501	72.0

* In this table when no cases occurred in a county, that county is not listed.

TABLE 67

DEATHS FROM WHOOPING COUGH IN THE COUNTIES*AND MAJOR CITIES OF THE STATE OF WASHINGTON, BY AGE GROUP, WITH PERCENTAGES, ALLOCATED TO RESIDENCE, 1947

County or City	Un-der 1 yr	1 to 4	5 to 9	10 to 14	15 to 19	20 to 24	25 to 29	30 to 34	35 to 39	40 to 44	45 and over	Un-known age	All ages
Adams	1												1
Pierce	2												2
Rural	1												1
Puyallup													0
Tacoma	1												1
Spokane	1												1
Rural													0
Spokane	1												1
Walla Walla	1												1
Rural													0
Walla Walla	1												1
Yakima	2												2
Rural	2												2
Yakima													0
URBAN TOTAL	3	0	0	0	0	0	0	0	0	0	0	0	3
RURAL TOTAL	4	0	0	0	0	0	0	0	0	0	0	0	4
GRAND TOTAL	7	0	0	0	0	0	0	0	0	0	0	0	7
Percent of Total	100.0	0.0	0.0	0.0	0.0	0.0	0.0	0.0	0.0	0.0	0.0	0.0	100.0

	No.	Rate per 100,000 estimated population
Urban Total	3	0.3
Rural Total	4	0.4
Grand Total	7	0.3

* In this table when no deaths occurred in a county, that county is not listed.

SECTION VI

VENEREAL DISEASE

MORBIDITY AND MORTALITY

TABLE 68

CIVILIAN CASES OF SYPHILIS, GONORRHEA, CHANCROID AND LYMPHOGRANULOMA, REPORTED IN THE COUNTIES AND MAJOR CITIES OF THE STATE OF WASHINGTON, WITH RATES PER 100,000 ESTIMATED POPULATION, ALLOCATED TO RESIDENCE, 1947

County or City	Syphilis		Gonorrhea		Chancroid		Lympho- granuloma	
	No.	Rate	No.	Rate	No.	Rate	No.	Rate
Adams	2	33.3						
Asotin								
Benton	63	180.5	47	134.7				
Rural	63	180.5	47	134.7				
Richland**								
Chelan	12	31.6	32	84.2				
Rural	7	28.0	9	36.0				
Wenatchee	5	38.5	13	100.0				
Clallam	6	26.5	10	44.2	1	4.4		
Rural	3	25.4	8	67.8	1	8.5		
Port Angeles	3	27.8	2	18.5				
Clark	46	65.7	86	122.9				
Rural	20	45.4	43	97.7				
Vancouver	26	100.0	43	165.4				
Columbia	19	345.5	2	36.4				
Cowlitz	58	114.3	16	31.5				
Rural	43	129.3	11	33.1				
Longview	15	85.7	5	28.6				
Douglas	2	23.5	4	47.0				
Ferry			2	46.5				
Franklin	48	480.0	27	270.0				
Garfield								
Grant	15	124.0	21	173.6				
Grays Harbor	27	50.7	29	54.4				
Rural	8	38.1	9	42.8				
Aberdeen	10	48.8	12	58.5				
Hoquiam	9	76.2	8	67.8				
Island	5	66.7	4	53.3				
Jefferson	6	66.7	8	88.9				
King	740	112.5	1932	293.6	117	17.8	6*	0.9
Rural	73	38.8	163	86.7	8	4.2		
Renton**								
Seattle	667	141.9	1769	376.4	109	23.2	6*	1.3
Kitsap	99	123.1	96	119.4	6	7.5	1	1.2
Rural	32	70.5	42	92.5	5	11.0	1	2.2
Bremerton	67	191.4	54	154.3	1	2.8		
Kittitas	5	21.5	3	12.9				
Klickitat	2	18.2						
Lewis	23	54.5	23	54.5				
Lincoln	2	18.2	2	18.2				
Mason	9	70.9	3	23.6				
Okanogan	17	62.3	14	51.3				
Pacific	11	71.0	2	12.9				
Pend Oreille	3	40.0	3	40.0				
Pierce	186	90.9	328	160.2	3	14.6		
Rural	47	68.4	63	91.7				
Puyallup**								
Tacoma	139	102.2	265	194.8	3	22.0		

TABLE 68 (Cont.)

CIVILIAN CASES OF SYPHILIS, GONORRHEA, CHANCROID AND LYMPHOGRANULOMA, REPORTED IN THE COUNTIES AND MAJOR CITIES OF THE STATE OF WASHINGTON, WITH RATES PER 100,000 ESTIMATED POPULATION, ALLOCATED TO RESIDENCE, 1947

County or City	Syphilis		Gonorrhea		Chancroid		Lympho- granuloma	
	No.	Rate	No.	Rate	No.	Rate	No.	Rate
San Juan			1	18.9				
Skagit	6	13.6	23	52.0	1	2.3		
Skamania								
Snohomish	31	32.6	37	38.9	1	1.0		
Rural	18	30.0	22	36.6	1	1.7		
Everett	13	37.1	15	42.8				
Spokane	126	63.4	311	156.5	12	6.0		
Rural	30	58.0	21	40.6				
Spokane	96	65.3	290	197.3	12	8.2		
Stevens	2	10.8	7	37.6				
Thurston	23	59.0	24	61.5				
Rural	13	56.5	13	56.5				
Olympia	10	62.5	11	68.8				
Wahkiakum	4	100.0						
Walla Walla	18	57.9	43	138.3				
Rural	5	58.1	5	58.1				
Walla Walla	13	57.8	38	168.9				
Whatcom	17	27.4	26	41.9				
Rural	5	16.9	10	33.9				
Bellingham	12	36.9	16	49.2				
Whitman	12	41.4	13	44.8				
Yakima	182	163.4	267	232.0	2	1.7		
Rural	139	173.6	145	181.1	2	2.5		
Yakima	49	140.0	122	348.6				
URBAN TOTAL	1134	106.1	2663	249.1	125	11.6	6*	0.6
RURAL TOTAL	699	68.7	773	76.0	18	1.8	11	0.1
GRAND TOTAL	1833	87.9	3436	164.7	143	6.8	7*	0.3

* Includes 2 cases of lymphogranuloma inguinale

** No separate tabulation made on these cities, cases are included in rural part of county.

TABLE 69

CIVILIAN CASES OF SYPHILIS, BY STAGE, BY WHITE AND NON-WHITE, REPORTED IN THE COUNTIES AND MAJOR CITIES OF THE STATE OF WASHINGTON, ALLOCATED TO RESIDENCE, 1947

County or City	Primary and secondary		Early Latent		Late Latent		Tertiary		Con-genital		Unknown		Total		Total
	W	N W	W	N W	W	N W	W	N W	W	N W	W	N W	W	N W	
	Adams			1						1				2	
Asotin															0
Benton	5	1	7	12	17	19	1	1					30	33	63
Chelan	7		3						1		1		12		12
Rural	4		2								1		7		7
Wenatchee	3		1						1				5		5
Clallam	2		1		2				1				6		6
Rural	1		1		1								3		3
Port Angeles	1				1				1				3		3
Clark	12		10	5	8	3	2		2		4		38	8	46
Rural	6		4	4	2	3			1				13	7	20
Vancouver	6		6	1	6		2		1		4		25	1	26
Columbia	4		6		3						6		19		19
Yowlitz	12	2	13		12		3				15	1	55	3	58
Rural	8	1	11		10		2				11		42	1	43
Longview	4	1	2		2		1				4	1	13	2	15
Douglas	1				1								2		2
Ferry															0
Franklin	3	3	4	17	5	15			1				13	35	48
Garfield															0
Grant	4	2	2	1	1	1	2				1	1	10	5	15
Grays Harbor	13		1		3		6		3		1		27		27
Rural	6						2						8		8
Aberdeen	5		1		1		3						10		10
Hogiam	2				2		1		3		1		9		9
Island	1		2		1						1		5		5
Jefferson	2		3		1								6		6
King	159	91	60	97	116	110	54	16	3	8	19	7	411	329	740
Rural	19	7	9	5	15	2	6	3	2		5		56	17	73
Seattle	140	84	51	92	101	108	48	13	1	8	14	7	355	312	667
Kitsap	16	8	5	3	22	7	6	4			16	12	65	34	99
Rural	5	2	2	1	10		2				8	2	27	5	32
Bremerton	11	6	3	2	12	7	4	4			8	10	38	29	67
Kittitas			2				2				1		5		5
Klickitat	1				1								2		2
Lewis	13		5		3						1	1	22	1	23
Lincoln	1		1										2		2
Mason	2	5		1							1		3	6	9
Okanogan	5	4	2	2	1						2	1	10	7	17
Pacific	3		3		3				2				11		11
Pend Oreille	3												3		3
Pierce	30	6	27	29	40	20	15	3	6	2	5	3	123	63	186
Rural	7	1	8	5	13	1	7	2	1		2		38	9	47
Tacoma	23	5	19	24	27	19	8	1	5	2	3	3	85	54	139

TABLE 69 (Cont.)

CIVILIAN CASES OF SYPHILIS, BY STAGE, BY WHITE AND NON-WHITE, REPORTED IN THE
COUNTIES AND MAJOR CITIES OF THE STATE OF WASHINGTON,
ALLOCATED TO RESIDENCE, 1947

County or City	Primary and secondary		Early Latent		Late Latent		Ter- tiary		Con- genital		Unknown		Total		T o t a l
	W	N W	W	N W	W	N W	W	N W	W	N W	W	N W	W	N W	
	San Juan														
Skagit	1				2		1				2		6		6
Skamania															0
Snohomish	7	1	2	3	6		8		1		3		27	4	31
Rural	6	1	1	3	3		3		1				14	4	18
Everett	1		1		3		5				3		13		13
Spokane	18	2	32	9	31	8	21	1	1		2	1	105	21	126
Rural	4		2		6		17				1		30		30
Spokane	14	2	30	9	25	8	4	1	1		1	1	75	21	96
Stevens		1	1										1	1	2
Thurston	7	1	3	2	2		5		1		2		20	3	23
Rural	2	1	2	2	1		3		1		1		10	3	13
Olympia	5		1		1		2				1		10		10
Wahkiakum			2				1				1		4		4
Walla Walla	4	1	3	1	4	1	2				2		15	3	18
Rural				1	3						1		4	1	5
Walla Walla	4	1	3		1	1	2				1		11	2	13
Whatcom	5		4		4		2				1	1	16	1	17
Rural			3		1							1	4	1	5
Bellingham	5		1		3		2				1		12		12
Whitman	3			1	6						2		11	1	12
Yakima	30	25	34	38	21	6	6	5	6	5	5	7	102	86	188
Rural	19	21	25	28	15	4	3	4	6	3	4	7	72	67	139
Yakima	11	4	9	10	6	2	3	1		2	1		30	19	49
URBAN TOTAL	235	103	128	138	191	145	85	20	13	12	42	22	694	440	1134
RURAL TOTAL	139	50	111	83	125	45	52	10	16	3	52	13	495	204	699
GRAND TOTAL	374	153	239	221	316	190	137	30	29	15	94	35	1189	644	1833

TABLE 70

CIVILIAN CASES OF GONORRHEA, CHANCROID AND LYMPHOGRANULOMA, BY WHITE AND NON-WHITE, REPORTED IN THE COUNTIES AND MAJOR CITIES OF THE STATE OF WASHINGTON, 1947

County or City	Gonorrhea		Chancroid		Lymphogranuloma Venereum	
	White	Non-White	White	Non-White	White	Non-White
Adams						
Asotin						
Benton	33	14				
Rural	33	14				
Richland**						
Chelan	21	1				
Rural	9					
Wenatchee	12	1				
Clallam	7	3		1		
Rural	5	3		1		
Port Angeles	2					
Clark	63	23				
Rural	26	17				
Vancouver	37	6				
Columbia	2					
Cowlitz	15	1				
Rural	10	1				
Longview	5					
Douglas	4					
Ferry	1	1				
Franklin	19	8				
Garfield						
Grant	14	7				
Grays Harbor	24	5				
Rural	4	5				
Aberdeen	12					
Hoquiam	8					
Island	1	3				
Jefferson	4	4				
King	991	941	59	58	1	5*
Rural	111	52	6	2		
Renton**						
Seattle	880	889	53	56	1	5*
Kitsap	57	39	6		1	
Rural	20	22	5		1	
Bremerton	37	17	1			
Kittitas	3					
Klickitat						
Lewis	23					
Lincoln	1	1				
Mason		3				
Okanogan	13	1				
Pacific	2					
Pend Oreille	2	1				
Pierce	208	120	3			
Rural	37	26				
Puyallup**						
Tacoma	171	94	3			

TABLE 70 (Cont.)

CIVILIAN CASES OF GONORRHEA, CHANCROID AND LYMPHOGRANULOMA, BY WHITE AND NON-WHITE, REPORTED IN THE COUNTIES AND MAJOR CITIES OF THE STATE OF WASHINGTON, 1947

County or City	Gonorrhoea		Chancroid		Lymphogranuloma Venereum	
	White	Non-White	White	Non-White	White	Non-White
San Juan	1					
Skagit	19	4	1			
Skamania						
Snohomish	30	7		1		
Rural	18	4		1		
Everett	12	3				
Spokane	217	94	11	1		
Rural	17	4				
Spokane	200	90	11	1		
Stevens	2	5				
Thurston	19	5				
Rural	9	4				
Olympia	10	1				
Wahkiakum						
Walla Walla	42	1				
Rural	5					
Walla Walla	37	1				
Whatcom	17	9				
Rural	6	4				
Bellingham	11	5				
Whitman	13					
Yakima	142	125	1	1		
Rural	75	70	1	1		
Yakima	67	55				
URBAN TOTAL	1501	1162	68	57	1	5*
RURAL TOTAL	509	264	13	5	1	0
GRAND TOTAL	2010	1426	81	62	2	5*

* Includes 2 cases of lymphogranuloma inguinale

** No separate tabulation made on these cities, cases are included in rural part of county.

TABLE 71

CASES OF CONGENITAL SYPHILIS REPORTED IN THE COUNTIES AND MAJOR CITIES OF THE STATE OF WASHINGTON, BY AGE GROUP, ALLOCATED TO RESIDENCE, 1947

County or City	Under 1 yr	1 to 2 yrs	2 to 3 yrs	3 to 4 yrs	4 to 5 yrs	5 to 6 yrs	Over 6 yrs	Not stated	Total
Adams							1		1
Asotin								1	1
Benton				1			2		3
Rural				1			2		3
Richland*									
Chelan		1					2		3
Rural		1					1		2
Wenatchee							1		1
Clallam							3		3
Rural									0
Port Angeles							3		3
Clark	1	1	1	1	1		17	3	25
Rural			1	1	1		12	2	17
Vancouver	1	1					5	1	8
Columbia									0
Cowlitz	1						3	1	5
Rural	1						2	1	4
Longview							1		1
Douglas						1	1		2
Ferry	1								1
Franklin							1		1
Garfield									0
Grant								1	1
Grays Harbor	1	1	1			1			4
Rural	1								1
Aberdeen									0
Hoquiam		1	1			1			3
Island									0
Jefferson									0
King	9	1	2	2	2		60	1	77
Rural	1	1			1		8	1	12
Renton*									0
Seattle	8		2	2	1		52		65
Kitsap	1	2		1	1		19	2	26
Rural		2		1			9	1	13
Bremerton	1				1		10	1	13
Kittitas									0
Klickitat									0
Lewis	1								1
Lincoln									0
Mason									0
Okanogan					1				1
Pacific							2		2
Pend Oreille									0
Pierce	2		1			2	27	1	33
Rural	1						6		7
Puyallup*									0
Tacoma	1		1			2	21	1	26

TABLE 71 (Cont.)

CASES OF CONGENITAL SYPHILIS REPORTED IN THE COUNTIES AND MAJOR CITIES OF THE STATE OF WASHINGTON, BY AGE GROUP, ALLOCATED TO RESIDENCE, 1947

County or City	Under 1 yr	1 to 2 yrs	2 to 3 yrs	3 to 4 yrs	4 to 5 yrs	5 to 6 yrs	Over 6 yrs	Not stated	Total
San Juan									0
Skagit							3		3
Skamania									0
Snohomish	1						10		11
Rural							7		7
Everett	1						3		4
Spokane	2	1		1			12	1	17
Rural									0
Spokane	2	1		1			12	1	17
Stevens									0
Thurston						1	3		4
Rural							2		2
Olympia						1	1		2
Wahkiakum									0
Walla Walla							3		3
Rural							1		1
Walla Walla							2		2
Whatcom							2		2
Rural							2		2
Bellingham									0
Whitman				1			1		2
Yakima	7		2	2	2		19		32
Rural	6		1	1	2		9		19
Yakima	1		1	1			10		13
URBAN TOTAL	15	3	5	4	2	4	121	4	158
RURAL TOTAL	12	4	2	5	5	1	70	7	106
GRAND TOTAL	27	7	7	9	7	5	191	11	264

* No separate tabulation made on these cities, cases are included in rural part of county.

TABLE 72 - CIVILIAN CASES OF SYPHILIS, BY STAGE, A. GONORRHEA, REPORTED IN THE COUNTIES AND MAJOR CI OF THE STATE OF WASHINGTON, BY REPORTING AGENCY, 1947

County or City	Private Physician						Other Reporting Agencies						Totals All Reporting Agencies													
	Prt. & Sec.	Early Lat.	Late Lat.	Tertiary	Cong.	Not Stat.	Syph. Total	Gc.	Prt. & Sec.	Early Lat.	Late Lat.	Tertiary	Cong.	Not Stat.	Syph. Total	Gc.	Prt. & Sec.	Early Lat.	Late Lat.	Tertiary	Cong.	Not Stat.	Syph. Total	Gc.		
Adams																										
Asotin																										
Benton	1	2					3	10	5	17	36	2			60	37	6	19	36	2				63	47	
Chelan																										
Rural	3	2				1	6	5	1						1	4	4	2					1	7	9	
Wenatchee	2						2	9	1	1			1		3	4	3	1					1	5	13	
Clallam																										
Rural								5	1	1	1				3	3	1	1	1					3	8	
Port Angeles	1						1	1		1	1		1		2	1	1						1	3	2	
Clark																										
Rural	1	3	1				5	2	5	5	4		1		15	41	6	8	5				1	20	43	
Vancouver	3	3	2		1	2	11	6	3	4	4	2		2	15	37	6	7	6	2			4	26	43	
Columbia	3	5	2			6	16	1	1	1	1				3	1	4	6	3				6	19	2	
Cowlitz																										
Rural	8	6	7	2		10	33	4	1	5	3			1	10	7	9	11	10	2			11	43	11	
Longview	4	2	1	1		5	13	4	1	1	1			2	1	1	5	2	2	1			5	15	5	
Douglas							1	4	1	1					1		1	1						2	4	
Ferry								2																	2	
Franklin	2	4	2		1		9	12	4	17	18				39	15	6	21	20			1		48	27	
Garfield																										
Grant	3		1			1	5	16	3	3	1	2		1	10	5	6	3	2	2			2	15	21	
Grays Harbor																										
Rural	2			2			4	6	4						4	3	6			2				8	9	
Aberdeen			1	2			3	7	5	1		1			7	5	5	1	1	3				10	12	
Hoquiam	1		1			1	3	5	1		1	1	3		6	3	2	2	1	1			3	9	8	
Island	1	1				1	3	1	1	1	1				2	3	1	2	1				1	5	4	
Jefferson	2	1	1				4	3		2					2	5	2	3	1					6	8	
King																										
Rural	6	2	5	4	1	3	21	30	20	12	12	5	1	2	52	133	26	14	17	9			2	5	73	163
Seattle	47	23	64	16		11	161	246	177	120	145	45	9	10	506	1523	224	143	209	61			9	21	667	1769
Kitsap																										
Rural	2	2	4	2		2	12	5	5	1	6			8	20	37	7	3	10	2			10	32	42	
Bremerton	5	4	11	3		8	31	8	12	1	8	5		10	36	46	17	5	19	8			18	67	54	
Kittitas							2	2				2		1	3	1		2		2			1	5	3	
Klickitat			1				1		1						1		1	1	1					2		
Lewis	3	2	1			1	7	8	10	3	2			1	16	15	13	5	3				2	23	23	

TABLE 72 - CIVILIAN CASES OF SYPHILIS, BY STAGE, AND GONORRHEA, REPORTED IN THE COUNTIES AND MAJOR CITIES OF THE STATE OF WASHINGTON, BY REPORTING AGENCY, 1947

County or City	Private Physician						Other Reporting Agencies						Totals All Reporting Agencies													
	Pri. & Sec.	Early Lat.	Late Lat.	Terinary	Cong.	Not Stat.	Syph. Total	Ge.	Pri. & Sec.	Early Lat.	Late Lat.	Terinary	Cong.	Not Stat.	Syph. Total	Ge.	Pri. & Sec.	Early Lat.	Late Lat.	Terinary	Cong.	Not Stat.	Syph. Total	Ge.		
Lincoln							1	2	1	1					2	2	1	1						2	2	
Mason	1						1	1	6	1					8	2	7	1						1	9	
Okanogan	2	1				2	5	12	7	3	1				12	2	9	4	1				3	17	14	
Pacific	2	1	2				5	1	1	2			2		6	1	3	3					2	11	2	
Pend Oreille								3	3						3		3							3	3	
Pierce																										
Rural	2	2	7	6	1	2	20	7	6	11	7	3			27	56	8	13	14	9	1		2	47	63	
Tacoma	10	8	9	3	1	3	34	38	18	35	37	6	6		105	227	28	43	46	9	7		6	139	265	
San Juan								1																1		
Skagit			2	1		2	5	17	1						1	6	1		2	1			2	6	23	
Skamania																										
Snohomish																										
Rural		1					1	5	7	3	3	3	1		17	17	7	4	3	3	1				18	22
Everett				1			1	4	1	1	3	4			12	11	1	1	3	5			3	15	15	
Spokane																										
Rural	2		4	1		1	8	4	2	2	2	16			22	17	4	2	6	17				1	30	21
Spokane	7	17	11	5	1	2	43	36	9	22	22				53	254	16	39	33	5	1		2	96	290	
Stevens								2	1	1					2	5	1	1							2	7
Thurston																										
Rural				1			1	5	3	4	1	2	1		12	8	3	4	1	3	1			1	13	13
Olympia				1			5	7	3	1		1			5	4	5	1	1	2				1	10	11
Wahkiakum															1			2		1				1	4	
Walla Walla		2																								
Rural							1	1		1	3				4	4		1	3					1	5	5
Walla Walla				1			6	6	1	3	2	1			7	32	5	3	2	2				1	13	38
Whatcom																										
Rural			1				1	7		3					4	3		3	1					1	5	10
Bellingham			2	2			7	14	3	1	1				5	2	5	1	3	2				1	12	16
Whitman		1	1	5			8	8	2		1				4	5	3	1	6					2	12	13
Yakima																										
Rural	8	9	5	5	2	9	38	46	32	44	14	2	7		101	99	40	53	19	7	9		11	139	145	
Yakima	5	1	1	2		1	10	12	10	18	7	2	2		32	110	15	19	8	4	2		1	49	122	
URBAN TOTAL	93	58	104	37	3	36	331	403	245	208	232	68	22	28	803	260	338	266	336	105	25		64	1134	2663	
RURAL TOTAL	55	49	52	24	5	44	229	238	134	145	118	38	14	21	470	535	189	194	170	62	19		65	699	773	
GRAND TOTAL	148	107	156	61	8	80	560	641	379	353	350	106	36	49	1273	795	527	460	506	167	44		129	1833	3436	

TABLE 73

DEATHS FROM SYPHILIS AND ALL OTHER VENEREAL DISEASES, IN THE COUNTIES AND MAJOR CITIES OF THE STATE OF WASHINGTON, WITH RATES PER 100,000 ESTIMATED POPULATION, 1947

County or City	Syphilis		All Others		County or City	Syphilis		All Others	
	No.	Rate	No.	Rate		No.	Rate	No.	Rate
Adams	2	33.3			Mason				
Asotin	1	9.8			Okanogan				
Benton					Pacific				
Rural					Pend Oreille				
Richland					Pierce	13	6.4		
Chelan	3	7.9			Rural	4	6.8		
Rural					Fuyallup	2	20.0		
Wenatchee	3	23.1			Tacoma	7	5.1		
Clallam	2	8.8			San Juan				
Rural	1	8.5			Skagit	3	6.8		
Port Angeles	1	9.2			Skamania				
Clark	4	5.7			Snohomish	7	7.4		
Rural	1	2.3			Rural	4	6.6		
Vancouver	3	11.5			Everett	3	8.6		
Columbia					Spokane	5	2.5		
Cowlitz	2	3.9			Rural				
Rural					Spokane	5	3.4		
Longview	2	11.4			Stevens				
Douglas					Thurston	5	12.8		
Ferry	1	23.2			Rural	3	13.0		
Franklin	1	10.0			Olympia	2	12.5		
Garfield					Wahkiakum				
Grant	4	33.0			Walla Walla	1	3.2	1	3.2
Grays Harbor	5	9.4			Rural				
Rural	2	9.5			Walla Walla	1	4.4	1	4.4
Aberdeen	2	9.8			Whatcom	4	6.4		
Hoquiam	1	8.5			Rural	4	13.6		
Island					Bellingham				
Jefferson	1	11.1			Whitman	1	3.4		
King	34	5.2			Yakima	5	4.3		
Rural	6	3.5			Rural	4	5.0		
Renton					Yakima	1	2.8		
Seattle	28	6.0			American Lake	6			
Kitsap	2	2.5			West. St. Hosp.	18			
Rural	1	2.2			North. St. Hosp.	7			
Bremerton	1	2.8			East. St. Hosp.	15			
Kittitas					URBAN TOTAL	62	5.8	1	0.1
Klickitat					RURAL TOTAL	92	9.0		
Lewis	2	4.7			GRAND TOTAL	154	7.4	1	*
Lincoln									

* Less than 0.05

SECTION VII

* * * * *

MEDICAL PERSONNEL, HOSPITAL FACILITIES,
AND RELATED STATISTICS

Table 74. LAND AREA AND POPULATION DENSITY BY COUNTIES,
STATE OF WASHINGTON, 1947

County	Civilian Population ^{1/}	Land Area ^{2/}	Persons Per Square Mile
ADAMS	6,315	1,895	3.3
ASOTIN	10,735	627	17.1
BENTON	36,730	1,738	21.1
CHELAN	39,993	2,931	13.6
CLALLAM	23,785	1,753	13.6
CLARK	73,670	633	116.4
COLUMBIA	5,789	860	6.7
COWLITZ	53,411	1,146	46.6
DOUGLAS	8,946	1,841	4.9
FERRY	4,525	2,241	2.0
FRANKLIN	10,524	1,262	8.3
GARFIELD	3,052	741	4.3
GRANT	12,734	2,777	4.6
GRAYS HARBOR	56,095	1,905	29.4
ISLAND	7,893	206	38.3
JEFFERSON	9,472	1,812	5.2
KING	692,502	2,136	324.2
KITSAP	84,616	402	210.5
KITTITAS	24,469	2,315	10.6
KLICKITAT	11,577	1,912	6.1
LEWIS	44,413	2,447	18.1
LINCOLN	11,577	2,317	5.0
MASON	13,366	967	13.8
OKANOGAN	28,700	5,295	5.4
PACIFIC	16,313	925	17.6
PEND OREILLE	7,893	1,406	5.6
PIERCE	215,433	1,680	128.2
SAN JUAN	5,578	172	32.4
SKAGIT	46,518	1,735	26.8
SKAMANIA	4,736	1,676	2.8
SNOHOMISH	100,087	2,100	47.7
SPOKANE	209,119	1,763	118.6
STEVENS	19,575	2,521	7.8
THURSTON	41,045	719	57.1
WAHKIAKUM	4,210	269	15.7
WALLA WALLA	32,731	1,288	25.4
WHATCOM	65,250	2,151	30.3
WHITMAN	30,520	2,167	14.1
YAKIMA	121,103	4,273	28.3
ALL COUNTIES	2,195,000	66,977	32.8

^{1/} Based on the "Estimated Population of the State of Washington, by Counties and Cities, as of July 1, 1947," prepared by the Washington State Department of Health, Section of Public Health Statistics, released January 12, 1948; and on "Current Population Reports," Series P-25, No. 4, as of July 1, 1947, Bureau of the Census, Department of Commerce, released October 12, 1947.

^{2/} From "Table III, Area of the United States, 1940," 16th Census of the United States, Bureau of the Census.

Table 75. ASSESSED VALUE OF REAL AND PERSONAL PROPERTY AND INCOME
PER CAPITA, STATE OF WASHINGTON, 1947

County	Population ^{1/}	Assessed Value ^{2/}	Income ^{3/}	Income Per Capita
ADAMS	6,315	\$ 14,424,853	\$ 9,251,000	\$ 1,465
ASOTIN	10,735	5,097,060	6,278,000	585
BENTON	36,730	14,007,416	26,757,000	728
CHELAN	39,993	27,423,103	61,124,000	1,528
CLALLAM	23,785	13,307,312	30,727,000	1,292
CLARK	73,670	29,657,495	90,199,000	1,224
COLUMBIA	5,789	8,637,242	7,599,000	1,313
COWLITZ	53,411	24,907,489	59,802,000	1,120
DOUGLAS	8,946	11,979,367	6,607,000	739
FERRY	4,525	2,393,972	3,304,000	730
FRANKLIN	10,524	10,729,644	10,573,000	1,005
GARFIELD	3,052	5,905,019	4,626,000	1,516
GRANT	12,734	12,128,898	14,555,000	1,143
GRAYS HARBOR	56,095	23,007,594	92,182,000	1,643
ISLAND	7,893	3,405,715	6,937,000	879
JEFFERSON	9,472	5,022,879	10,903,000	1,151
KING	692,502	425,715,577	1,280,663,000	1,849
KITSAP	84,616	24,129,703	73,995,000	874
KITTITAS	24,469	17,788,736	30,397,000	1,242
KLICKITAT	11,577	11,082,737	13,216,000	1,142
LEWIS	44,413	29,730,822	48,238,000	1,086
LINCOLN	11,577	22,381,239	16,190,000	1,398
MASON	13,366	6,696,978	16,850,000	1,261
OKANOGAN	28,700	12,741,230	25,441,000	886
PACIFIC	16,313	11,369,354	22,467,000	1,377
PEND OREILLE	7,893	4,578,530	7,599,000	963
PIERCE	215,433	98,423,588	360,466,000	1,673
SAN JUAN	5,578	1,626,842	3,965,000	711
SKAGIT	46,518	25,559,820	45,265,000	973
SKAMANIA	4,736	4,205,662	3,634,000	767
SNOHOMISH	100,087	46,479,880	112,666,000	1,126
SPOKANE	209,119	129,250,814	391,374,000	1,872
STEVENS	19,575	10,660,769	17,842,000	911
THURSTON	41,045	20,691,537	58,811,000	1,433
WAHKIACUM	4,210	2,015,290	4,295,000	1,020
WALLA WALLA	32,731	31,557,391	56,498,000	1,726
WHATCOM	65,250	33,233,782	80,287,000	1,230
WHITMAN	30,520	42,379,999	48,899,000	1,602
YAKIMA	121,103	48,961,585	143,063,000	1,181
ALL COUNTIES	2,195,000	\$ 1,273,296,923	\$ 3,303,545,000	\$ 1,505

1/ Based on the civilian population "Estimated Population of the State of Washington, by Counties and Cities, as of July 1, 1947," prepared by the Washington State Department of Health, Section of Public Health Statistics, released January 12, 1948; and on "Current Population Reports," Series P-25, No. 4, as of July 1, 1947, Bureau of the Census, Department of Commerce, released October 12, 1947. County data adjusted to Federal estimate of State total.

2/ From exhibit "Statement of Taxes Due in 1947, Segregated by Funds, Functions, and Counties" (as reported by County Assessors), prepared by the Division of Municipal Corporations, Cliff Yelle, State Auditor, State of Washington.

3/ Taken from estimates in "Sales Management," May 10, 1948, pp. 472-476.

Table 76. GENERAL HOSPITAL BEDS PER 1000 POPULATION BY COUNTIES,
STATE OF WASHINGTON, 1947

County	Population ^{1/}	Number of Hospitals ^{2/}	Beds In Use ^{2/}	Beds Per 1000 Population
ADAMS	6,315	1	18	2.9
ASOTIN	10,735	1	12	1.1
BENTON	36,730	1	62	1.7
CHELAN	39,992	3	160	4.0
CLALLAM	23,785	2	130	5.5
CLARK	73,670	4	594	8.1
COLUMBIA	5,788	1	22	3.8
COWLITZ	53,411	2	149	2.8
DOUGLAS	8,946	0	0	0.0
FERRY	4,525	1	10	2.2
FRANKLIN	10,524	1	68	6.5
GARFIELD	3,052	0	0	0.0
GRANT	12,734	1	22	1.7
GRAYS HARBOR	56,095	3	242	4.3
ISLAND	7,893	0	0	0.0
JEFFERSON	9,472	1	70	7.4
KING	692,502	23	2,564	3.7
KITSAP	84,616	2	245	2.9
KITTITAS	24,469	4	105	4.3
KLICKITAT	11,577	2	46	4.0
LEWIS	44,413	3	101	2.3
LINCOLN	11,577	0	0	0.0
MASON	13,366	2	69	5.2
OKANOGAN	28,700	3	118	4.1
PACIFIC	16,313	2	54	3.3
PEND OREILLE	7,893	2	27	3.4
PIERCE	215,433	8	836	3.9
SAN JUAN	5,578	0	0	0.0
SKAGIT	46,518	5	200	4.3
SKAMANIA	4,736	0	0	0.0
SNOHOMISH	100,086	5	294	2.9
SPOKANE	209,119	6	892	4.3
STEVENS	19,575	3	84	4.3
THURSTON	41,045	1	104	2.5
WAHKIACUM	4,210	0	0	0.0
WALLA WALLA	32,731	2	148	4.5
WHATCOM	65,251	3	268	4.1
WHITMAN	30,521	2	157	5.1
YAKIMA	121,104	4	407	3.4
ALL COUNTIES	2,195,000	104	8,278	3.8

^{1/} Based on "Estimated Population of the State of Washington, by Counties and Cities, as of July 1, 1947," prepared by the Washington State Department of Health, Section of Public Health Statistics; and on "Current Population Reports," as of July 1, 1947, Series P-25, No. 4, Bureau of the Census, Department of Commerce. County data adjusted to Federal estimate of State total.

^{2/} From records on file in the Hospital Planning and Development Section of the State Department of Health.

Table 77. PER CENT OF DEATHS OCCURRING IN COMMUNITY GENERAL HOSPITALS
BY COUNTY, STATE OF WASHINGTON, 1947

County	Total Deaths ^{1/}	Deaths in Community General Hospitals ^{2/}	Deaths in Special Institutions	Deaths at Home and Others ^{3/}	Percent in Community General Hospitals ^{2/}
ADAMS	49	20	0	29	41
ASOTIN	81	13	16	52	16
BENTON	103	27	1	75	26
CHELAN	365	180	37	148	49
CLALLAM	249	119	21	109	48
CLARK	736	374	105	257	51
COLUMBIA	53	25	1	27	47
COWLITZ	394	215	0	179	55
DOUGLAS	34	0	6	28	0
FERRY	24	6	0	18	25
FRANKLIN	102	68	0	34	67
GARFIELD	16	0	0	16	0
GRANT	101	44	0	57	44
GRAYS HARBOR	600	288	58	254	48
ISLAND	102	0	27	75	0
JEFFERSON	97	51	2	44	53
KING	6,872	3,465	542	2,865	50
KITSAP	556	234	59	263	42
KITTITAS	189	113	0	76	60
KLICKITAT	87	37	0	50	43
LEWIS	456	163	83	210	36
LINCOLN	78	0	14	64	0
LASON	112	56	0	56	50
SKANOGAN	209	110	7	92	53
PACIFIC	142	64	1	77	45
PEND OREILLE	71	38	0	33	54
PIERCE	2,747	1,136	737	874	41
SAN JUAN	24	0	0	24	0
SKAGIT	652	193	277	182	30
SKAMANIA	32	0	15	17	0
SNOHOMISH	1,060	517	35	508	49
SPOKANE	2,625	1,192	554	879	45
STEVENS	187	109	0	78	58
THURSTON	342	160	5	177	47
WAHKIAKUM	21	0	0	21	0
WALLA WALLA	435	217	84	134	50
WHATCOM	705	355	54	296	50
WHITMAN	226	105	14	107	46
YAKIMA	1,058	511	63	484	48
ALL COUNTIES	21,992	10,205	2,818	8,969	46

^{1/} Compiled by the Hospital Planning and Development Section from data supplied by the Public Health Statistics Section, State Department of Health.

^{2/} Excludes deaths in naval, military, veterans', Indian and institutional hospitals which have been listed with "Deaths in Special Institutions."

^{3/} Includes deaths at home and others outside of hospitals and institutions.

Table 78. PHYSICIANS IN ACTIVE PRACTICE IN RELATION TO POPULATION
BY COUNTIES, STATE OF WASHINGTON, 1947^{1/}

County	Estimated Population ^{2/}	Physicians In Active Practice ^{3/}	Physicians Per 1000 Persons	Persons Per Physician
ADAMS	6,315	4	.633	1,579
ASOTIN	10,735	1	.093	10,735
BENTON	36,730	8	.217	4,591
CHELAN	39,992	34	.850	1,176
CLALLAM	23,785	11	.462	2,162
CLARK	73,670	44	.597	1,674
COLUMBIA	5,788	2	.345	2,894
COWLITZ	53,411	21	.393	2,543
DOUGLAS	8,946	1	.112	8,946
FERRY	4,525	1	.221	4,525
FRANKLIN	10,524	4	.380	2,631
GARFIELD	3,052	3	.983	1,017
GRANT	12,734	9	.707	1,415
GRAYS HARBOR	56,095	32	.570	1,753
ISLAND	7,893	2	.253	3,946
JEFFERSON	9,472	4	.422	2,368
KING	692,502	697	1.006	994
KITSAP	84,616	50	.591	1,692
KITTITAS	24,469	15	.613	1,631
KLICKITAT	11,577	5	.432	2,315
LEWIS	44,413	22	.495	2,019
LINCOLN	11,577	6	.518	1,930
MASON	13,366	5	.374	2,673
OKANOGAN	28,700	8	.279	3,588
PACIFIC	16,313	6	.368	2,719
PEND OREILLE	7,893	3	.380	2,631
PIERCE	215,433	167	.775	1,290
SAN JUAN	5,578	1	.179	5,578
SKAGIT	46,518	22	.473	2,114
SKAMANIA	4,736	2	.422	2,368
SNOHOMISH	100,086	59	.589	1,696
SPOKANE	209,119	187	.894	1,118
STEVENS	19,575	9	.460	2,175
THURSTON	41,045	31	.755	1,324
WAHKIAKUM	4,210	2	.475	2,105
WALLA WALLA	32,731	28	.855	1,169
WHATCOM	65,251	46	.705	1,418
WHITMAN	30,521	25	.819	1,220
YAKIMA	121,104	70	.578	1,730
ALL COUNTIES	2,195,000	1,647	.750	1,333

- ^{1/} From data secured in the survey conducted by the American Academy of Pediatrics in cooperation with the State Department of Health, Hospital Planning Section.
- ^{2/} Based on "Estimated Population of the State of Washington, by Counties and Cities as of July 1, 1947," prepared by the Washington State Department of Health, Section of Public Health Statistics; and on "Current Population Reports," as of July 1, 1947, Series P-25, No. 4, Bureau of the Census, Department of Commerce.
- ^{3/} Excludes 769 physicians not in active practice as well as 164 osteopathic physicians and 218 chiropractors.

Table 79. DISTRIBUTION OF PHYSICIANS BY COUNTY AND AGE GROUPS,
STATE OF WASHINGTON, 1947^{1/}

County	Physicians in Active Practice by Age Groups					Others ^{2/}	All Physicians
	25-34	35-44	45-54	55-64	65 & Over		
ADAMS	1	1	1	0	1	0	4
ASOTIN	0	0	0	0	1	0	1
BENTON	2	4	0	2	0	14	22
CHELAN	5	11	10	3	5	6	40
CLALLAM	2	2	5	1	1	7	18
CLARK	6	19	9	4	6	40	84
COLUMBIA	0	0	1	1	0	0	2
COWLITZ	0	9	5	5	2	6	27
DOUGLAS	0	0	1	0	0	0	1
FERRY	1	0	0	0	0	0	1
FRANKLIN	1	2	0	1	0	8	12
GARFIELD	0	0	1	0	2	1	4
GRANT	2	5	1	0	1	2	11
GRAYS HARBOR	3	9	6	8	6	13	45
ISLAND	0	0	0	1	1	2	4
JEFFERSON	0	4	0	0	0	2	6
KING	74	230	155	113	124	403	1,099
KITSAP	14	22	8	1	5	21	71
KITTITAS	5	5	1	1	3	1	16
KLICKITAT	3	1	0	1	0	3	8
LEWIS	4	8	2	2	6	6	28
LINCOLN	0	2	1	2	1	1	7
MASON	0	1	3	1	0	1	6
OKANOGAN	3	2	3	0	0	5	13
PACIFIC	1	2	0	0	3	2	8
PEND OREILLE	2	1	0	0	0	2	5
PIERCE	23	52	41	31	20	85	252
SAN JUAN	0	0	0	1	0	1	2
SKAGIT	2	2	8	3	7	9	31
SKAMANIA	0	1	0	0	1	1	3
SNOHOMISH	5	14	15	12	12	12	70
SPOKANE	12	66	44	23	41	60	246
STEVENS	0	3	4	1	1	2	11
THURSTON	5	8	7	6	3	13	42
WAHKIAKUM	0	0	2	0	0	0	2
WALLA WALLA	1	6	6	10	4	6	33
WHATCOM	4	10	11	9	11	8	53
WHITMAN	6	9	1	6	3	10	35
YAKIMA	5	29	7	17	11	16	85
ALL COUNTIES	192	540	359	266	282	769	2,408

^{1/} From data secured in the survey conducted by the American Academy of Pediatrics in cooperation with the Hospital Planning and Development Section of the State Department of Health.

^{2/} Includes 153 who have died, moved or retired; 68 in the armed forces; 100 in hospitals; 246 in public health work; 194 for whom there was no information; and 8 in active practice whose ages are unknown.

Table 80. NUMBER OF PHYSICIANS BY AGE GROUPS AND SIZE OF COMMUNITY,
STATE OF WASHINGTON, 1947^{1/}

Size of Community	Physicians in Active Practice by Age Groups					Age Unknown	Physicians in Active Practice ^{2/}
	25-34	35-44	45-54	55-64	65 & Over		
50,000 & Over	112	346	237	155	178	2	1,030
25,000 - 49,999	13	59	30	31	27	0	160
10,000 - 24,999	13	36	33	28	15	3	128
5,000 - 9,999	12	28	7	10	13	0	70
2,500 - 4,999	8	18	23	8	12	0	69
Under 2,500	34	53	29	34	37	3	190
All Sizes	192	540	359	266	282	8	1,647

^{1/} From data secured in the survey conducted by the American Academy of Pediatrics in cooperation with the Hospital Planning and Development Section of the State Department of Health. Excludes 164 osteopaths and 218 chiropractors licensed in the State.

^{2/} In addition there are 761 physicians not in active practice of whom 68 are in the armed forces, 100 working in hospitals, 246 in public health work, 153 have either moved, retired or died, and 194 for whom there was no information.

Table 81. DISTRIBUTION OF PHYSICIANS IN ACTIVE PRACTICE
BY SIZE OF COMMUNITIES, STATE OF WASHINGTON, 1947

Size of Community	Population ^{3/}	Physicians in Active Practice	Physicians per 1000 Persons	Persons per Physician
50,000 & Over	753,000	1,030	1.4	731
25,000 - 49,999	163,500	160	1.0	1,022
10,000 - 24,999	137,409	128	.9	1,074
5,000 - 9,999	70,631	70	1.0	1,009
2,500 - 4,999	69,091	69	1.0	1,001
Under 2,500	1,001,369	190	.2	5,270
All Communities	2,195,000	1,647	.8	1,333

^{3/} Based on "Estimated Population of the State of Washington, by Counties and Cities, as of July 1, 1947," prepared by the Washington State Department of Health, Section of Public Health Statistics; and on "Current Population Reports," as of July 1, 1947, Series P-25, No. 4, U. S. Bureau of the Census, Department of Commerce. County populations adjusted to Federal estimate of State total.

